



RB4 PENDANT MOUNTING KIT INSTALLATION INSTRUCTIONS

MODELS:

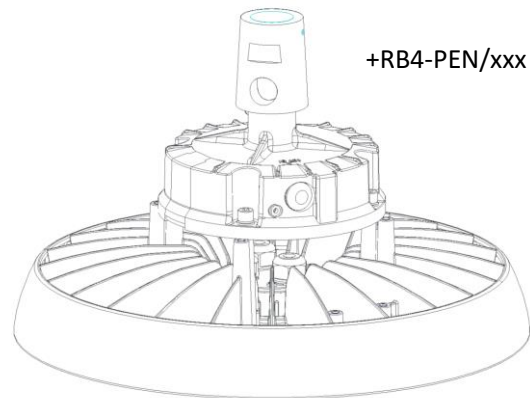
RB4-14L-U-CCTS

RB4-21L-U-CCTS

RB4-28L-U-CCTS

RB4-34L-U-CCTS

RB4-14L/21L/28L-CCTS



1. Introduction

- Tools Needed:
Drill with Philips Head Bit and Channel Lock Pliers

Warning:

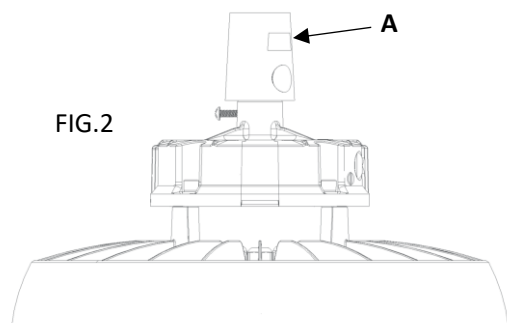
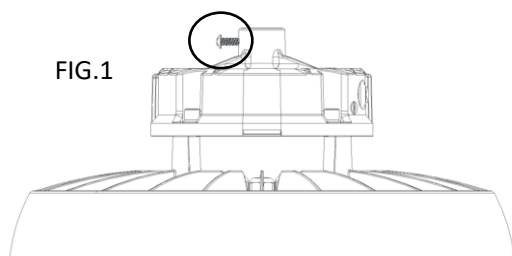
To avoid the risk of fire, explosion, or electric shock, this product shall be installed, inspected, and maintained by a qualified electrician, in accordance with all applicable electrical codes.

Warning:

To avoid electric shock:

- Allow product to cool before servicing.
- Be certain electrical power is OFF before and during installation or maintenance.
- Luminaire must be connected to a wiring system with equipment-grounding conductor.

2. Installation



Step 1

Loosen the RB4 locking screw until the threads are no longer visible within the mounting hole. (FIG.1)

Step 2

Thread on the PEN/xxx component, tighten with the pliers by using the slots (A) on the PEN/xxx. (FIG.2)

ILP, LLC

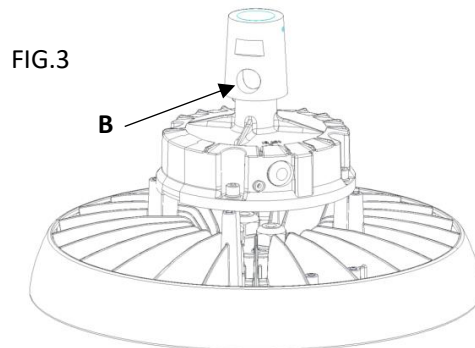
519 Codisco Way, Sanford, FL 32771
Phone: (407) 478 3759 Fax: (407) 478 3760
www.ilp-inc.com

Step 3

Tighten the RB4 locking screw firmly against the PEN/xxx to prevent the reducer from turning.

Step 4

Slide the existing cord from the fixture through the PEN/xxx hole (B) and up through the top (B). (FIG.3)



Warning:

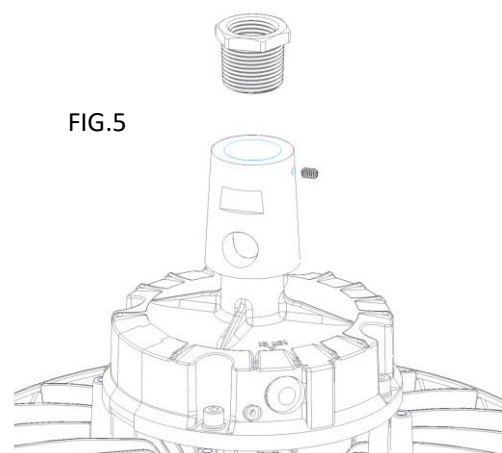
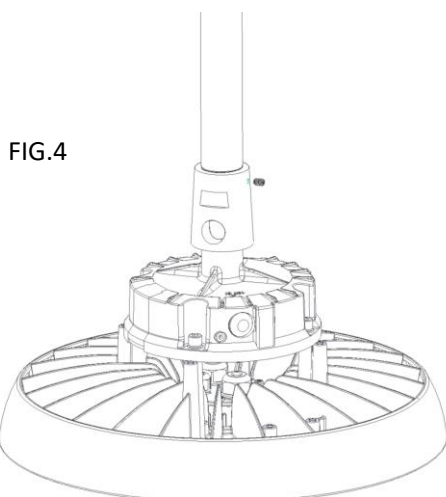
Before attaching the conduit, ensure the conduit will be mechanically fixed with a locking nut and/or suitable adhesive to prevent turning.

Step 5 (3/4" Conduit Provided by Other)

Slide the RB4 wires through the existing 3/4" conduit and tighten to the PEN/xxx accessory (ordered separately), securing with the provided set screw. (FIG.4)

Step 6 (1/2" Conduit Provided by Other)

If using 1/2" conduit, attach the +RB4-RED1/2 accessory (ordered separately) to the PEN/xxx, securing with the provided set screw. Then run the wires through the conduit, threading onto the RED1/2. (FIG.5)



To complete installation, turn power On, check for proper operation of luminaire.

ILP, LLC

519 Codisco Way, Sanford, FL 32771
Phone: (407) 478 3759 Fax: (407) 478 3760
www.ilp-inc.com