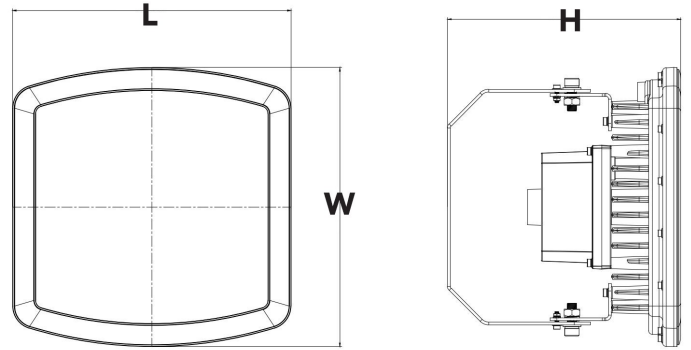




**DIMENSIONS:**

11.8"(L) x 11.8"(W) x 6.9"(H)



**EXPF-100W-60K**

**EXPLOSION-PROOF FLOOD LIGHTS**

Ideal for Oil and gas refineries, drilling rigs, petrochemical facilities, food and beverage facilities, loading docks, tunnels, outdoor wall and general area lighting, and where flammable vapors, gases, ignitable dusts, fibers or flyings are often present. Where extremely corrosive, wet, dusty, hot and/or cold conditions exist

**ELECTRICAL SPECIFICATIONS:**

- Voltage: 100~277VAC, 50/60 Hz
- Wattage: 100W
- Power factor: 0.90~0.98
- Total Harmonic Distortion (THD): < 10%
- Efficacy: Up to 150LM/W

**HOUSING SPECIFICATIONS:**

- Die-cast aluminum with powder coat finish (gray)
- Cord type: 2' SJTW 18/3 AWG cable
- Surge protection: IEC/EN 61000-4-5
- Operating temperature: -22°F to 122°F
- Lifespan: 100,000 hr.
- IP Rating: IP68, Suitable for Hazardous Locations

**CERTIFICATIONS: UL, DLC**

Standard(s) for Safety: ANSI/UL 844, "Luminaires for Use in Hazardous (Classified) Locations."



**LIGHTING SPECIFICATIONS:**

- LENS: Super Clear Tempered Glass
- 70%-80% saving compare to HPS/MH
- EMC test standard
- Total lumens: 11500LM
- Color temperature: 6000K

**PHOTOMETRIC CHART:**



**WARRANTY: 7 years**

