

NTLE-860

4' Track Pack with (3) MAY LED Track Heads

Source: 10W LED per head
800lm per head

Type

Project

Catalog No.

Notes

PRODUCT DESCRIPTION

Track pack comes complete and ready to install with mounting hardware and track heads. Components includes: (1) 4' single circuit track, (2) end caps, (1) floating canopy feed and (3) 800lm MAY LED track heads. The utilitarian style fits almost any design criteria.

FEATURES

- Over 75% energy savings when compared to incandescent
- 4' Track Pack includes all hardware and ready to install
- 2700K, 3000K, 3500K or 4000K at 90 CRI
- Narrow flood beam spread
- Available in black or white finishes
- Easily to longer lengths or additional track heads
- Perfect for multi family homes or apartments
- Dimmable

CONSTRUCTION

Housing: Die-cast aluminum construction dissipates heat for longer life.

Adjustability: 315° horizontal and 359° vertical adjustment

ELECTRICAL

Input Voltage: 120V

Delivered Lumens / Wattage:

753lm / 9.3W @ 2700K

801lm / 9.4W @ 3000K

835lm / 9.4W @ 3500K

811lm / 9.6W @ 4000K

Color Temperature: 2700K, 3000K, 3500K, 4000K

CRI: 90

Beam Spread: 35° Narrow Flood

Operating Temp.: 0°C to 40°C ambient temperature

Lifetime: 50,000 hours @ L70

Dimming: Triac or ELV

[Click Here](#) or check complete dimmer list at www.NoraLighting.com in the "Compatibility" page under "Resources" tab

One / Two Circuit Conversion: Positive contact (opposite neutral and ground contacts) is preset to "down" position at factory, but may be raised to the higher position to install onto the second circuit of Nora Lighting NT-2300 series two-circuit track.

LABELS AND LISTINGS

- cETLus Listed for dry locations
- ENERGY STAR certified
- [5-Year Limited Warranty](#)
- FCC compliant



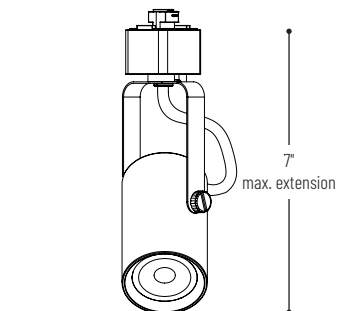
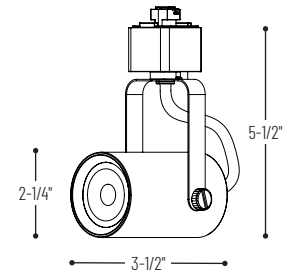
PRODUCT IMAGE



NTLE-860B



NTLE-860W



4' Track Pack with (3) MAY LED Track Heads

Series	Color Temperature / CRI	Finish
NTLE-860L = 4' Track Pack with (3) MAY LED Track Heads	927 = 2700K / 90 CRI	10B = Black
	930 = 3000K / 90 CRI	10W = White
	935 = 3500K / 90 CRI	
	940 = 4000K / 90 CRI	

Example: **NTLE-860L92710B** = 4' Track Pack with (3) MAY LED Track Heads, 2700K / 90 CRI, Black Finish

PHOTOMETRICS

MAY LED Track Head

Type

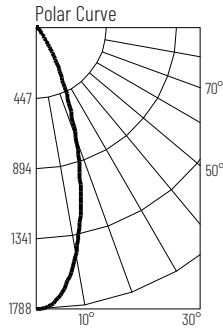
Project

Catalog No.

Notes

Test Information

Test Number: NTT11022R1
 Part Number: NTE-860L927M10
 Beam Spread: 35° Narrow Flood
 Lumens: 753lm
 Wattage: 9.3W
 Efficacy: 81lpw
 CCT / CRI: 2700K / 90 CRI
 Spacing Criteria (0°-180°): 0.58
 Spacing Criteria (90°-270°): 0.58



Illuminance at a Distance

Distance from Luminaire	FC at Nadir	Beam Diameter
4'	124fc	2'-6"
6'	55.3fc	3'-8"
8'	31.1fc	4'-11"
10'	19.9fc	6'-2"
12'	13.8fc	7'-5"

Zonal Lumen Summary

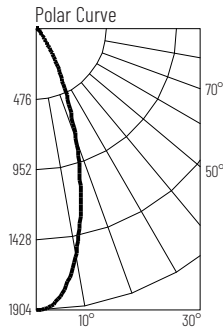
Zone	Lumens	% Luminaire
0-30	629	83.6
0-40	697	92.6
0-60	732	97.3
0-90	743	98.7
90-180	10	1.3
0-180	753	100

Candela Table

Vertical Angles	Candela
0	1788
5	1706
15	1066
25	394
35	101
45	27

Test Information

Test Number: NTT11023R1
 Part Number: NTE-860L930M10
 Beam Spread: 35° Narrow Flood
 Lumens: 801lm
 Wattage: 9.42W
 Efficacy: 85lpw
 CCT / CRI: 3000K / 90 CRI
 Spacing Criteria (0°-180°): 0.58
 Spacing Criteria (90°-270°): 0.58



Illuminance at a Distance

Distance from Luminaire	FC at Nadir	Beam Diameter
4'	132fc	2'-6"
6'	58.8fc	3'-8"
8'	33.1fc	5'
10'	21.2fc	6'-2"
12'	14.7fc	7'-6"

Zonal Lumen Summary

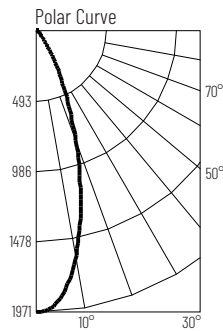
Zone	Lumens	% Luminaire
0-30	675	84.3
0-40	746	93.2
0-60	781	97.5
0-90	790	98.7
90-180	11	1.3
0-180	801	100

Candela Table

Vertical Angles	Candela
0	1904
5	1795
15	1133
25	440
35	105
45	226

Test Information

Test Number: NTT11024R1
 Part Number: NTE-860L935M10
 Beam Spread: 35° Narrow Flood
 Lumens: 835lm
 Wattage: 9.38W
 Efficacy: 89lpw
 CCT / CRI: 3500K / 90 CRI
 Spacing Criteria (0°-180°): 0.58
 Spacing Criteria (90°-270°): 0.58



Illuminance at a Distance

Distance from Luminaire	FC at Nadir	Beam Diameter
4'	137fc	2'-6"
6'	60.7fc	3'-8"
8'	34.1fc	5'
10'	21.9fc	6'-2"
12'	15.2fc	7'-6"

Zonal Lumen Summary

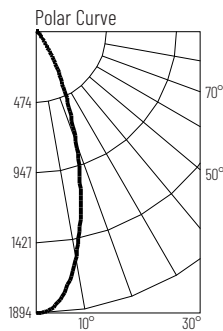
Zone	Lumens	% Luminaire
0-30	699	83.7
0-40	775	92.8
0-60	813	97.4
0-90	824	98.6
90-180	11	1.4
0-180	835	100

Candela Table

Vertical Angles	Candela
0	1971
5	1875
15	1181
25	500
35	114
45	29

Test Information

Test Number: NTT11023R1
 Part Number: NTE-860L940M10
 Beam Spread: 35° Narrow Flood
 Lumens: 811lm
 Wattage: 9.6W
 Efficacy: 84lpw
 CCT / CRI: 4000K / 90 CRI
 Spacing Criteria (0°-180°): 0.58
 Spacing Criteria (90°-270°): 0.58



Illuminance at a Distance

Distance from Luminaire	FC at Nadir	Beam Diameter
4'	133fc	2'-6"
6'	59.3fc	3'-10"
8'	33.4fc	5'
10'	21.4fc	6'-4"
12'	14.8fc	7'-6"

Zonal Lumen Summary

Zone	Lumens	% Luminaire
0-30	678	83.7
0-40	752	92.7
0-60	788	97.2
0-90	798	98.5
90-180	12	1.5
0-180	814	100

Candela Table

Vertical Angles	Candela
0	1894
5	1804
15	1143
25	440
35	110
45	27