

Catalog Number
Notes
Type

FEATURES & SPECIFICATIONS

INTENDED USE

The OSC LED provides years of maintenance free general illumination for residential and light commercial outdoor applications such as doorways, patios, loading areas and warehouses.

CONSTRUCTION

Rugged cast-aluminum, corrosion-resistant housing with an impact resistant, polycarbonate lens to soften illumination and resist fading and cracking.

120V driver operates at 60Hz.

Rated for outdoor installations, 40° C maximum ambient.

OPTICS

High performance LEDs produce over 600 lumens and maintain 70% of light output at 50,000 hours of service (over 5 1/2 years at 24/7 operation).

An integrated photocell turns light on at dusk and off at dawn for additional energy savings and added convenience.

See Lighting Facts label for specific fixture performance.

INSTALLATION

Mounts easily to existing junction box on wall.

LISTINGS

UL Listed to U.S. and Canadian safety standards for wet locations.

Tested in accordance with IESNA LM 79 and LM 80 standards.

WARRANTY

5-year limited warranty. Complete warranty terms located at www.acuitybrands.com/CustomResources/Terms_and_conditions.aspx

Note: Actual performance may differ as a result of end-user environment and application.

All values are design or typical values, measured under laboratory conditions at 25 °C.

Specifications subject to change without notice.



Outdoor General Purpose

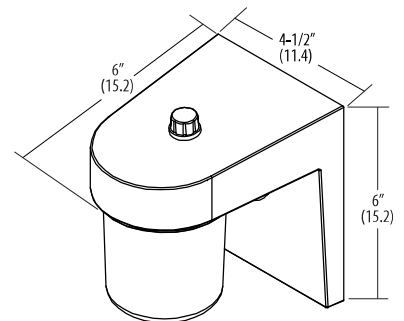
OSC LED

LED Entry Light



Specifications

- Length: 4-1/2 (11.4)
- Width: 6 (15.2)
- Depth: 6 (15.2)
- Weight: 1.36 lbs (0.62 kg)



ORDERING INFORMATION

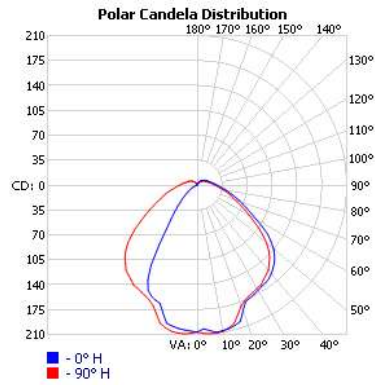
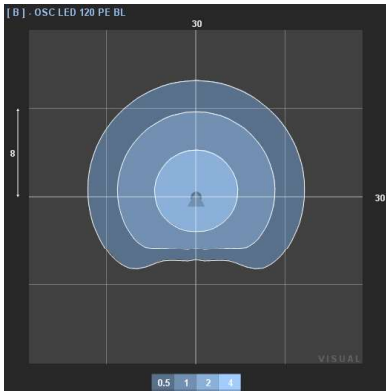
Example: OSC LED 120 PE BL

Series	Voltage	Photocontrol	Finish
OSC LED 10W LED entry light	120 120V	PE 120V Photocontrol	BL Black

OSC LED

PHOTOMETRICS

Tested in accordance with IESNA LM-79 and LM-80 standards.



Mounting height 8 ft.

LIGHTING FACTS

LED Lithonia Lighting
lighting facts[®]
A Program of the U.S. DOE

Light Output (Lumens)	613
Watts	10.4
Lumens per Watt (Efficacy)	58.94

Color Accuracy Color Rendering Index (CRI)	80
---	----

Light Color
Correlated Color Temperature (CCT) **4000 (Bright White)**

Warm White	Bright White	Daylight
2700K	3000K	4500K 6500K

All results are according to IESNA LM-79-2008: Approved Method for the Electrical and Photometric Testing of Solid-State Lighting. The U.S. Department of Energy (DOE) verifies product test data and results.

Visit www.lightingfacts.com for the Label Reference Guide.

Registration Number: NJSM-ONMJH (Revised)
Model Number: OSC LED 120 PE BL
Type: Luminaire - Decorative