

VEHICLE CHARGERS

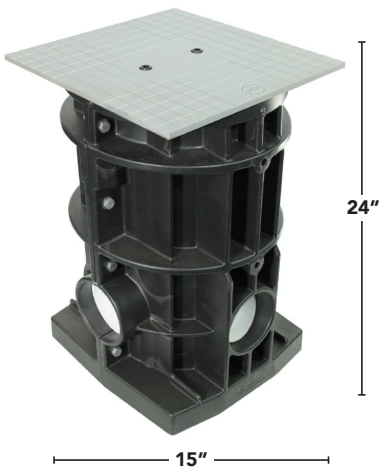


# EV CHARGING STATION FOUNDATION

breezEV's EV Charging Station Foundation is a pre-fabricated, precision-engineered solution for EV charging. Its durable yet lightweight polypropylene foundation requires no specialized machinery; it can be installed by one person in one day.



- > Significant cost and time savings for sidewalk, grass and mulch/stone gravel garden installations.
- > Make-ready solution that prevents future infrastructure changes.
- > Easy, one-day installation; no concrete pours or heavy machinery required.
- > Engineered solution creates a clean, uniform appearance.
- > Top plate comes pre-drilled with holes to accept the breezEV Pedestals
- > Manufactured from durable, weather-resistant polypropylene.
- > Four ports for versatility and future expansion.
- > Top plate creates easy access point for charger repairs, replacements, or upgrades.
- > Lockable wire storage protects components until charging station is installed.
- > Foundation allows the charger to be installed immediately; no waiting for concrete to cure.



PART #	DIMENSIONS	WEIGHT
EVC-L2-ACC-MAKE-READY-BASE	24 x 15 x 15 in.	40 lbs.