

PROJECT:	_____
CATALOG #:	_____
FIXTURE TYPE:	_____
NOTES:	_____

UDDC Dusk to Dawn Contractor



The *Utility Dusk to Dawn Contractor Series* area luminaire delivers the same unmatched light output and functionality in a rugged design for a lower cost compared to Gen 2. The versatile universal mounting is a quick and easy install and delivers a wide, uniform distribution with excellent vertical illumination for maximum light coverage. This luminaire consumes less than 40W and saves up to 73% energy.

APPLICATIONS

Wall-mounted security lighting, residential street lighting, perimeter area lighting, parking areas, loading platforms, and boat docks

REPLACEMENT

100-150W Metal Halide

PERFORMANCE INFORMATION

SERIES NUMBER	WATT	LUMENS	CCT	REPLACES
UDDC 40 G1 4K	27W	3,867	4000K	100W HID
UDDC 40 G1 5K	27W	3,850	5000K	100W HID
UDDC 55 G1 4K	40W	5,691	4000K	150W HID
UDDC 55 G1 5K	40W	5,650	5000K	150W HID

ORDERING GUIDE

EXAMPLE: UDDC 40 G1 4K

Luminaire Type	Lumen Output	Generation	Voltage	CCT	Finish	Photocell	Options
UDDC Utility Dusk to Dawn Contractor Series	40 3,850 Lumens 55 5,650 Lumens	G1	BLANK= 120-277V	4K 4000K 5K 5000K	S= Silver Gray	BLANK= PC UNV B3 Button Photocell	UDD-AM= Mounting Arm Kit UDD-CLAMP= Mounting kit for existing pole/arm

Due to continuous product improvements, specification and/or equipment updates may change without notice.

SPECIFICATIONS

HOUSING

One-piece die-cast aluminum housing with superior resistance to prevent corrosion and weathering.

AMBIENT TEMPERATURE

Suitable for use in -40°C to $+45^{\circ}\text{C}$ (-40°F to 113°F).

MOUNTING

Pole mounting for heights between 8 ft to 18 ft. Pole with mounting arm sold separately.

EFFICACY

Up to 143 lumen's per watt (see individual wattage data).

CCT AND CRI

4000K and 5000K CCT available; 70 CRI

OPTICS

Clear acrylic lens.

WARRANTY

5-year limited warranty. Comprehensive warranty terms can be located on www.slgus.com.

LIFESPAN

70% lumen maintenance at $> 54,000$ hours. L70

ELECTRICAL

High quality constant-current driver above 90% efficiency. 50 or 60Hz operation, 120-277 input. Standard PC UNV B3-Button Photocell.

ENERGY DATA

Power factor is above 90%.

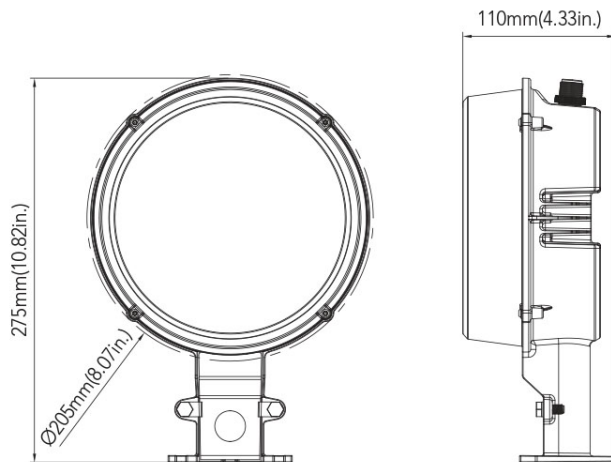
FINISH

Standard Silver Gray polyester powder coat. Custom colors available.

CERTIFICATIONS

UL listed for wet locations, equal to IP65 rating. Please visit www.slgus.com for additional certifications.

DIMENSIONS

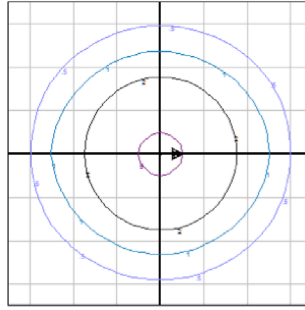
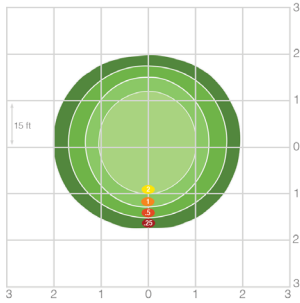


Weight: 3.1 LB

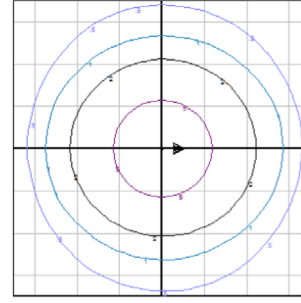


Due to continuous product improvements, specification and/or equipment updates may change without notice.

PHOTOMETRIC



Total Lamp Lumens = 3,878.3
Maximum Calculated Value = 5.59 Fc



Total Lamp Lumens = 5,726.9
Maximum Calculated Value = 8.51 Fc

Horizontal Footcandles
Arrangement: Single
Scale: 1 inch = 7.5 feet
Light Loss Factor = 1.00
Mounting Height = 15.00 Ft

ELECTRICAL LOAD

Series Number	Wattage	Current (A)			
		120V	208V	240V	277V
UDDC 40 G1 4K	27W	0.23	0.13	0.11	0.10
UDDC 55 G1 4K	40W	0.33	0.19	0.17	0.14

Due to continuous product improvements, specification and/or equipment updates may change without notice.