

PROJECT: _____
 CATALOG #: _____
 FIXTURE TYPE: _____
 NOTES: _____

PG Parking Garage Gen 2



The *PG Parking Garage Gen 2 Series* offers extended lumen packages that range from 3,550 to 11,600 lumens. A unique “halo-lens” design provides smooth and even distribution and directs the light to desired locations. High-temperature polycarbonate lens reduces yellowing and the housing has improved weatherproofing. Unlike the previous generation, the optional emergency battery backup kit fits neatly within the larger housing. This fixture is ideal for applications ranging from Parking Structures, Storage Areas, Entryways, and Low-Level Security Lighting.

PERFORMANCE INFORMATION

SERIES NUMBER	WATT	LUMENS	CCT
PG 35 G2 5K	27W	3,550	5000K
PG 55 G2 5K	45W	5,500	5000K
PG 75 G2 5K	60W	7,600	5000K
PG 115 G2 5K	90W	11,600	5000K

APPLICATIONS

Parking Garages, Canopy, Stairwells, Low Bay applications, etc.

REPLACEMENT

100W - 250W MH

OPTIONS



PG G2 ORDERING GUIDE

ORDERING EXAMPLE:
PG 75 G2 4K

Luminaire	Lumen Output	Gen	Voltage	CCT	Finish	Options
PG Parking Garage	35 3500 Lm / 27W	G2 Gen 2	BLANK 120-277V	4K 4000K	BLANK White	BLANK No option
	115 11500 Lm / 90W					MS-FSP-211 Motion Sensor
	55 5500 Lm / 45W	MS-FSP-221B Motion Sensor 347-480V (choose a lens)				
	75 7500 Lm / 60W	MS-LPS-202 Motion Sensor (choose a lens)				
			BLANK 120-277V	5K 5000K		L2 360° lens up to 8' mounting height - coverage equals 6X the height
		HVU 347-480V			L3 360° lens 8'-20' mounting height - coverage equals 2X the height	
						MS-LPS-202 Motion Sensor (choose a lens)
						L2 360° lens up to 8' mounting height
						L3 360° lens 8'-20' mounting height
						EL UNV-8W Emergency Backup Kit

Due to continuous product improvements, specification and/or equipment updates may change without notice.

SPECIFICATIONS

HOUSING

Sealed die-cast aluminum housing.

AMBIENT TEMPERATURE

Suitable for use in -40°C to +45°C (-40°F to 113°F)

MOUNTING

Surface mount or Pendant mount with conduit. J-box is not included.

EFFICACY

Up to 131 lumens per watt (see individual wattage data)

CCT AND CRI

4000 and 5000K CCT available; > 70CRI

OPTICS

Vacuum metalized specular reflector with frosted polycarbonate lens.

WARRANTY

10-year limited warranty. This product is eligible for the labor warranty. Comprehensive warranty terms can be located on www.slgus.com.

ELECTRICAL

50/60Hz operation with 120-277V input. Optional 347-480V input. Standard 0-10V dimming.

ENERGY DATA

Power Factor above 90%.

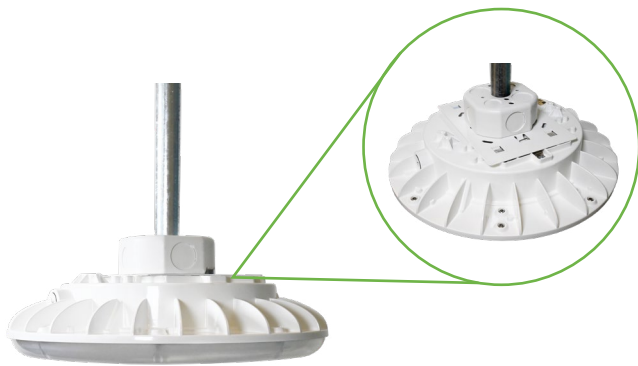
FINISH

Polyester Powder White finish.

CERTIFICATIONS

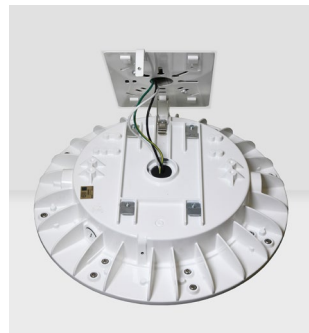
UL Listed for wet locations, IP65 Rating. FCC compliant. RoHs compliant. Design Lights Consortium® (DLC) Premium 5.0 qualified product. Not all versions of this product may be DLC qualified. Please visit www.slgus.com to confirm which versions are qualified.

MOUNTING



PENDANT MOUNT

*J-box not included



SURFACE MOUNT

Due to continuous product improvements, specification and/or equipment updates may change without notice.

OPTIONS



MS-LPS-202
Motion Sensor



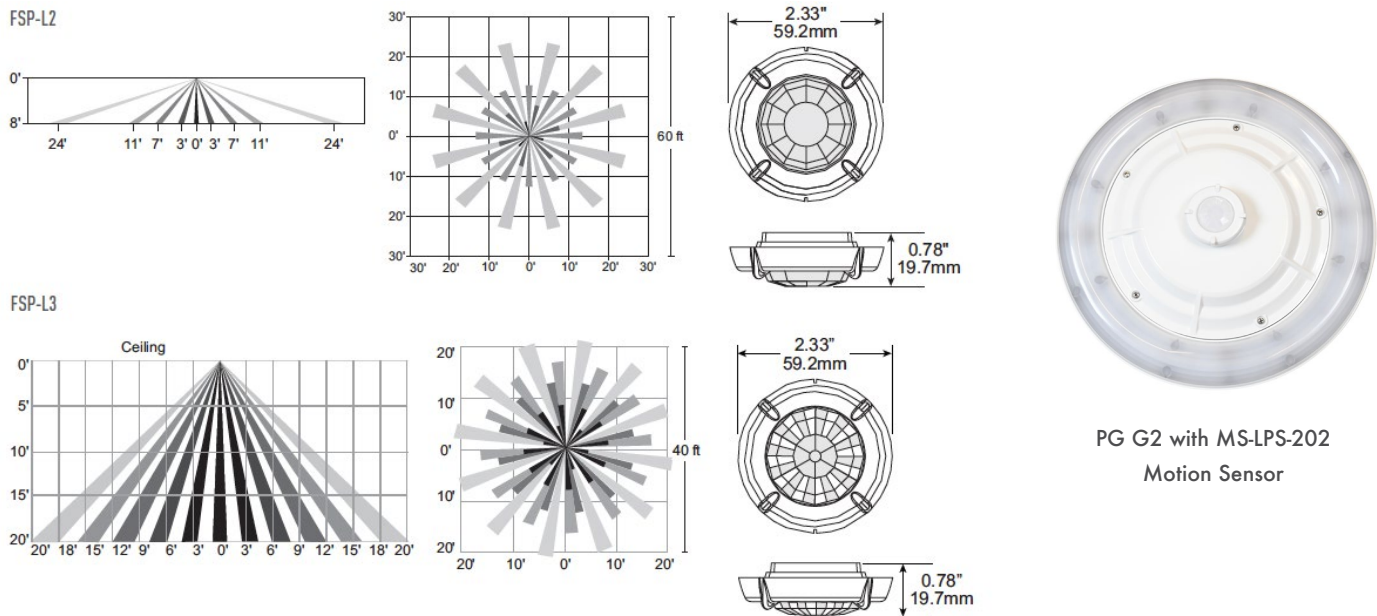
L2/L3
Lens

The **MS-LPS-202** provides multi-level control over motion and daylight levels. This sensor is IP66 rated when installed inside the fixture. The L2 Lens is designed for mounting heights less than 8 ft whereas the L3 Lens is suitable for mounting heights up to 20 ft in parking garage applications.

Operation Voltage	Shape	Adjustable Time Delay	Fade Down Time	Operating Temperature	MS-FSP-L2 Mounting Height	MS-FSP-L3 Mounting Height
120-277V	Cone	30 sec - 30 min (Default 15min)	0-10 sec	-40°F to 158°F (-40°C to 70°C)	Maximum 8 ft*	Maximum 20 ft*

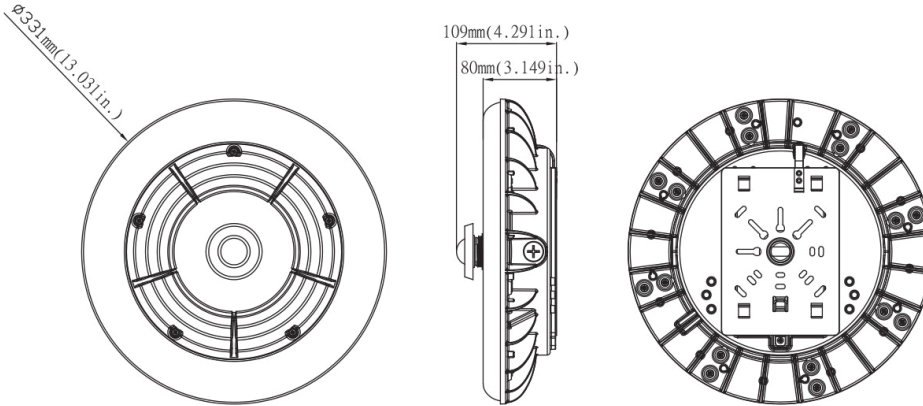
* Covers 48 ft diameter when the mounting height is 8 ft. Coverage is equal to 6x the height.

** Covers 40 ft diameter when mounting height is 20 ft. Coverage is equal to 2x the height.

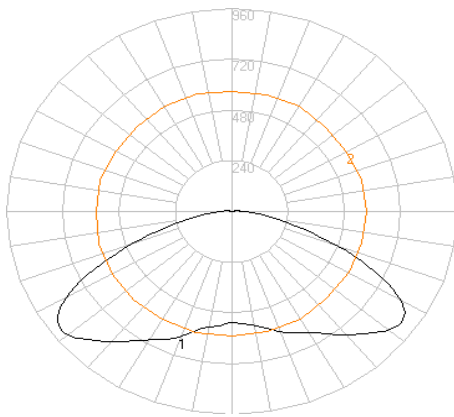


Due to continuous product improvements, specification and/or equipment updates may change without notice.

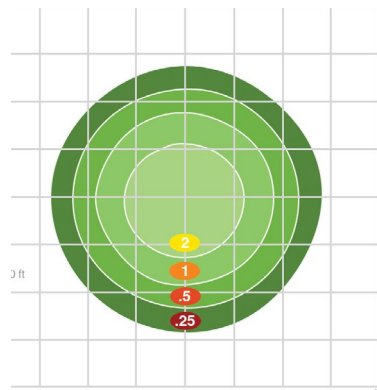
DIMENSIONS



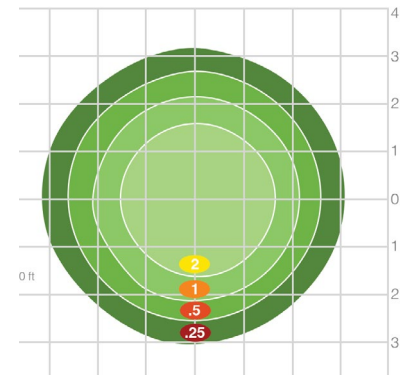
PHOTOMETRIC



Mounting Height	8	9	10	11	12
Multiplier	1.6	1.2	1.0	0.8	0.7

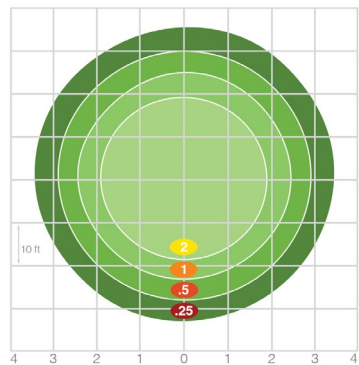


PG 35 G2 4K

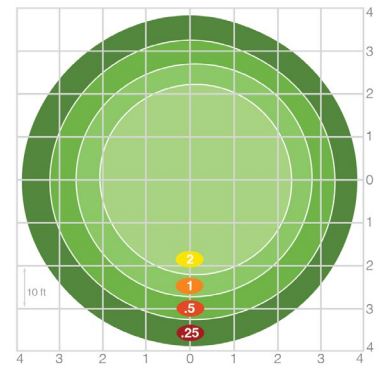


PG 55 G2 4K

MOUNTING HEIGHT: 12FT



PG 75 G2 4K



PG 115 G2 4K

Due to continuous product improvements, specification and/or equipment updates may change without notice.

PERFORMANCE COMPARISON

Series Number	Watt	Voltage	4000K	5000K	Replaces	Mounting Height
			Lumens	Lumens		
PG 35 G2 4K	27W	120-277V	3500lm	3550lm	100W	10-20'
PG 55 G2 4K	45W	120-277V	5400lm	5500lm	150W	10-20'
PG 75 G2 4K	60W	120-277V	7500lm	7600lm	175W	10-20'
PG 55 G2 HVU 4K	48W	347-480V	5850lm	6000lm	150W	10-20'
PG 75 G2 HVU 4K	60W	347-480V	7500lm	7600lm	175W	10-20'
PG 115 G2 4K	90W	120-277V	11400lm	11600lm	250W	10-20'

ELECTRICAL LOAD

Wattage	Current (A)					
	120V	208V	240V	277V	347V	480V
27W	0.23	0.13	0.11	0.10	n/a	n/a
45W	0.38	0.22	0.19	0.16	n/a	n/a
48W	n/a	n/a	n/a	n/a	0.14	0.10
60W	0.50	0.29	0.25	0.22	0.17	0.13

Due to continuous product improvements, specification and/or equipment updates may change without notice.