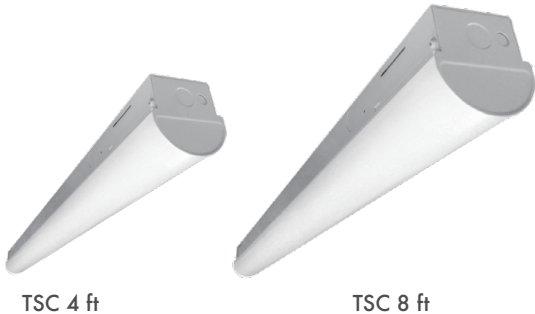


PROJECT: _____
 CATALOG #: _____
 FIXTURE TYPE: _____
 NOTES: _____

TSC Industrial Strip Contractor Series Gen 1



TSC 4 ft

TSC 8 ft

The *TSC Industrial Strip Contractor Series Gen 1* has die-formed housing with convertible end plates to create a continuous row of illumination. This sleek luminaire is available in two sizes 4 ft and 8 ft with a width of 3.3" that is ideal for retrofit T8 lengths or new construction applications for commercial, industrial, retail and residential.

APPLICATIONS

Warehouses, Retail stores, Utility, and Fabrication areas, etc.

REPLACEMENT

1 Lamp T8 32W, 2 Lamp T8 32W, 3 Lamp T8 32W,
 4 Lamp T8 32W, 2 Lamp T5HO 54W



PERFORMANCE INFORMATION

SERIES NUMBER	WATT	LUMENS	CCT
TSC 4 30 G1 4K	25W	3,250	4000K
TSC 4 30 G1 5K	25W	3,350	5000K
TSC 4 45 G1 4K	35W	4,550	4000K
TSC 4 45 G1 5K	35W	4,550	5000K
TSC 4 60 G1 4K	45W	5,850	4000K
TSC 4 60 G1 5K	45W	5,850	5000K
TSC 8 85 G1 4K	65W	8,450	4000K
TSC 8 85 G1 5K	65W	8,450	5000K
TSC 8 100 G1 4K	75W	9,750	4000K
TSC 8 100 G1 5K	75W	9,750	5000K

OPTIONS



HBP-112-L7-OEM



BRI819P-B-D



EL UNV-10W

ORDERING GUIDE

EXAMPLE: TSC 4 45 G1 5K

Luminaire Type	Size	Lumen Output	Generation	Voltage	CCT	Finish	Options
TSC Industrial Strip Contractor Series	4= 4 ft	30 3,350 Lumens 45 4,550 Lumens 60 5,850 Lumens	G1	BLANK= 120-277V	4K 4000K 5K 5000K	BLANK= White	BLANK= No Option HBP-112-L7-OEM= High/Low-Bay PIR On/Off Sensor BRI819P-B-D= PIR Motion/Photo Sensor, 120/277V AC, 1-10V Dimming (Choose one) L1= 360° Lens (Max. 25ft mounting height) L2= 360° Lens (Max. 40ft mounting height) EL UNV-10W= Emergency Backup Controller RC-TSC G1= Row connector WG-TSC 4 G1= 4 ft wire guards TSC-CHAIN= 1.05m Chain, 1 set
	8= 8 ft	85 8,450 Lumens 100 9,750 Lumens					

Due to continuous product improvements, specification and/or equipment updates may change without notice.

SPECIFICATIONS

HOUSING

Body consists of fabricated 22ga steel

AMBIENT TEMPERATURE

Suitable for use in -20°C to 50°C (-4°F to 122°F)

MOUNTING

Surface mounting

EFFICACY

Up to 130 lumens per watt (see individual wattage data)

CCT AND CRI

4000K and 5000K CCT available; 80+CRI

OPTICS

Frosted acrylic lens.

WARRANTY

5-year limited warranty. Comprehensive warranty terms can be located on www.slgus.com.

ELECTRICAL

High quality constant-current drivers rated for 50/60Hz operation, 120-277V input. Standard 0-10V dimmer.

ENERGY DATA

Power factor above 90%.

LIFETIME

L70 > 50,000 hrs @ 25°C

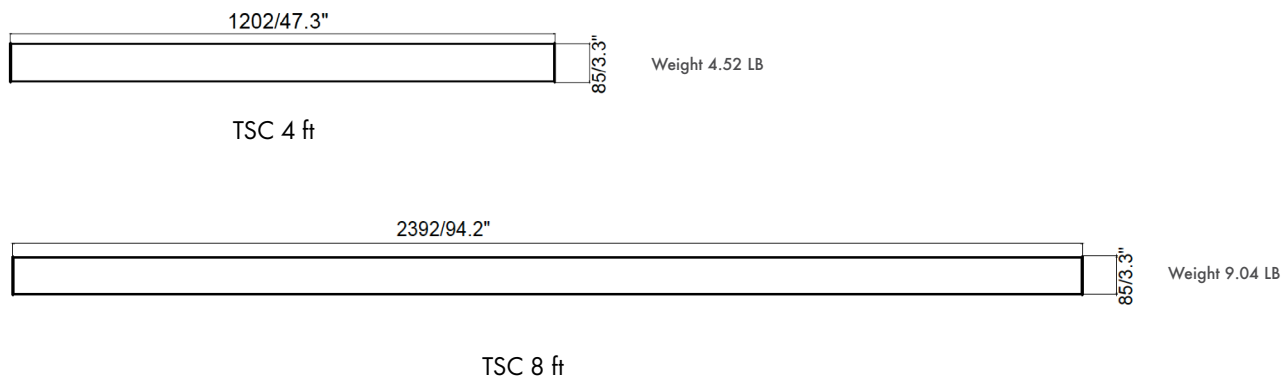
FINISH

White Polyester Powder coat with 88% reflectivity, painted after fabrication.

CERTIFICATIONS

UL Listed for damp locations. Design Lights Consortium® (DLC) Standard 5.1 qualified product. Not all versions of this product may be DLC qualified. Please visit www.slgus.com to confirm which versions are qualified.

DIMENSIONS



Due to continuous product improvements, specification and/or equipment updates may change without notice.

OPTIONS



HBP-112-L7-OEM

High/Low-Bay PIR On/Off Sensor

The **HBP-112-L7-OEM** on/off PIR motion sensor ideal for warehouses, distribution centers, gymnasiums, and other indoor applications.

Operation Voltage	Mounting Height	Coverage	Shape	Adjustable Time Delay	Operating Temperature	Applications
120V/ 277V/ 347V	15-40 ft	2.5x Height*	Cone	5/10/15/20/30 min. Default 15 min.	0°C to 70°C 32°F to 158°F	Indoor Only

*Covers a 100 ft diameter when the mounting height is 40 ft.



BRI819-P-B-D

Motion Sensor, 1-10V Dimming

The **BRI819-P-B-D** provides multi-level occupancy control with 1-10V adjustable dimming. This motion sensor can be attached externally to the fixture. Requires L1 or L2 lens depending on the mounting height.

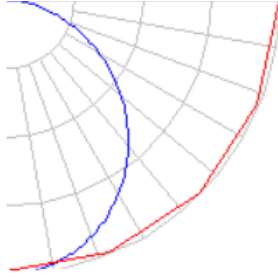
Operation Voltage	Shape	Adjustable Time Delay	Operation Temperature	Mounting Height for L1	Mounting Height for L2
120/277V	Cone	10 sec - 60 min (adjustable)	-40°F to 167°F (-40°C to 75°C)	Max 25ft*	Max 40ft**

*Covers a 30 ft diameter when the mounting height is 25 ft.

**Covers a 60 ft diameter when the mounting height is 40 ft.

Due to continuous product improvements, specification and/or equipment updates may change without notice.

PHOTOMETRIC



TSC 4 60 G1 4K

ELECTRICAL LOAD

Series Number	Wattage	Current (A)			
		120V	208V	240V	277V
TSC 4 30 G1 5K	25W	0.21	0.12	0.10	0.09
TSC 4 45 G1 5K	35W	0.29	0.17	0.15	0.13
TSC 4 60 G1 5K	45W	0.38	0.22	0.19	0.16
TSC 8 85 G1 5K	65W	0.54	0.31	0.27	0.23
TSC 8 100 G1 5K	75W	0.63	0.36	0.31	0.27

Due to continuous product improvements, specification and/or equipment updates may change without notice.