

PROJECT:	_____
CATALOG #:	_____
FIXTURE TYPE:	_____
NOTES:	_____

DS SurfaceSlice Downlight Gen 1



DS Square



DS Round

The *DS SurfaceSlice Downlight Gen 1 Series* is elegantly formed to imitate standard recessed downlights but in a surface mount design. Delivering high lumen output with glare controlling lens, this slim 5/8" surface mount downlight is ideal for a wide variety of applications. Easy to install on junction boxes and fits any ceiling, this downlight solves problems of limited plenum space. The SurfaceSlice is available in round or square apertures.

APPLICATIONS

Corridors, Elevators, Entry Ways, Hallways, Porches, Stairways, Utility Closets, and Work Areas. A wet location listing also allows for use in showers and bathrooms.

REPLACEMENT

- DS 5R 9W = 65W Equal
- DS 5R 10W = 75W Equal
- DS 7R 12W = 100W Equal



PERFORMANCE INFORMATION

SERIES NUMBER	WATT	LUMENS	CCT
DS 5R 6 G1 30K	9W	650	3000K
DS 5R 9 G1 30K	10W	850	3000K
DS 7R 10 G1 30K	12W	1000	3000K
DS 4S 6 G1 30K	9W	635	3000K

ORDERING GUIDE							EXAMPLE: DS 5R 9 G1 30K
Luminaire Type	Size	Lumen Output	Generation	Voltage	CCT	Flange	Options
DS SurfaceSlice Downlight Gen 1	5R=5" Round	6 650 Lumens 9 850 Lumens	G1	BLANK= 120V	30K 3000K	BLANK= White	BLANK=No Option
	7R=7" Round	10 1000 Lumens					
	4S=4" Square	6 635 Lumens					

Due to continuous product improvements, specification and/or equipment updates may change without notice.

SPECIFICATIONS

HOUSING

One piece plastic flange in Square or Round shape.

AMBIENT TEMPERATURE

Suitable for use in 0°C to 45°C (32°F to 113°F)

MOUNTING

Surface mounting over junction box only.

EFFICACY

Up to 83 lumens per watt (see individual wattage data)

CCT AND CRI

3000K CCT available; 80CRI

OPTICS

Beam Angle (50%)

5" Round: 96 °

7" Round: 98 °

4" Square: 90 °

WARRANTY

5-year limited warranty. Comprehensive warranty terms can be located on www.slgus.com.

ELECTRICAL

Standard 120V with 50/60Hz. TRIAC dimming.

ENERGY DATA

Power Factor above 95%.

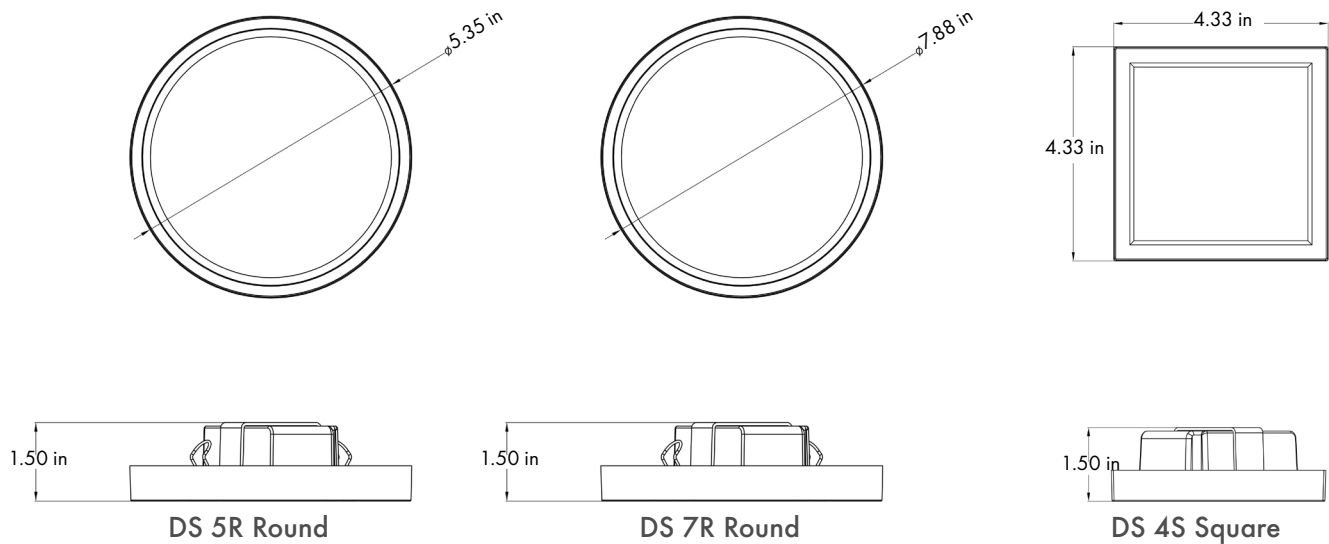
FLANGE FINISH

White finish.

CERTIFICATIONS

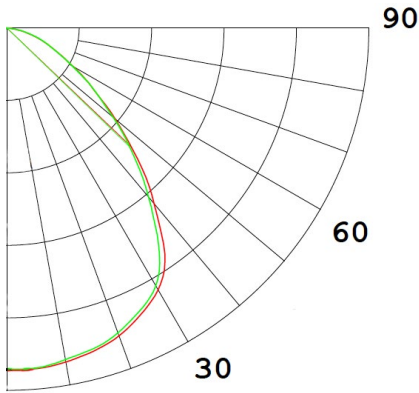
Energy Star pending. ETL Listed for damp and wet locations. FCC compliant.

DIMENSIONS



Due to continuous product improvements, specification and/or equipment updates may change without notice.

PHOTOMETRIC DATA



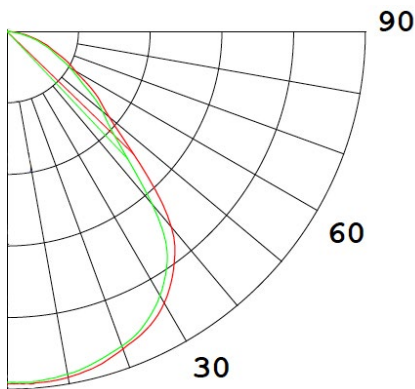
DS 5R 9 G1 30K

Lumens: 850 Lumens
 Power: 10W
 Efficacy: 72 lm/W
 Spacing Criteria: 1.28
 Beam Angle: 96°

CANDLEPOWER DISTRIBUTION	
Angle (°)	Average (cd)
0	424
5	423
15	415
25	390
35	325
45	207

INITIAL FOOTCANDLE		
Height (ft)	Fc	Diameter (ft)
4	31	7.10
6	13	11.7
8	7	15.4
10	5	19.3
12	3.2	23

ZONAL LUMEN SUMMARY		
Zone	Lumens	%Fixt
0-30	325	37
0-40	522	60
0-60	772	89
0-90	857	99
90-180	4	0



DS 4S 6 G1 30K

Lumens: 635 Lumens
 Power: 9W
 Efficacy: 70 lm/W
 Spacing Criteria: 1.26
 Beam Angle: 90°

CANDLEPOWER DISTRIBUTION	
Angle (°)	Average (cd)
0	237
5	216
15	212
25	200
35	169
45	112

INITIAL FOOTCANDLE		
Height (ft)	Fc	Diameter (ft)
4	15	8.2
6	6	12.2
8	4	16.4
10	2	20.4
12	1	24.4

ZONAL LUMEN SUMMARY		
Zone	Lumens	%Fixt
0-30	172	33
0-40	277	53
0-60	464	89
0-90	515	99
90-180	3	0

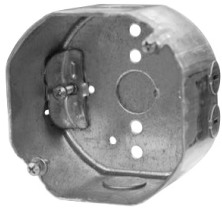
Due to continuous product improvements, specification and/or equipment updates may change without notice.

PERFORMANCE COMPARISON

Series Number	Wattage	Lumen	Efficacy	Voltage	Current
DS 5R 6 G1 30K	9W	650	72 Lm/W	120V	0.075 A
DS 5R 9 G1 30K	10W	850	71 Lm/W	120V	0.10 A
DS 7R 10 G1 30K	12W	1000	83 Lm/W	120V	0.10 A
DS 4S 6 G1 30K	9W	635	70 Lm/W	120V	0.075 A

COMPATIBLE JUNCTION BOXES

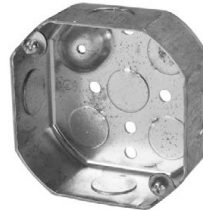
Compatible with 4" Square, 5" Round, and 7" Round



TP316
for non-metallic cable
4" x 4" x 2-1/8"
(102mm x 102mm x 54mm)



4" octagon light fixture/fan steel box
4" x 4" x 2-1/8"
(102mm x 102mm x 54mm)



4" octagon steel box
4" x 4" x 1-1/2"
(102mm x 102mm x 38mm)



4" Round Plastic
(2-1/4" Depth)

Compatible with 7" Round



4" square deep steel box
4" x 4" x 2-1/8"
(102mm x 102mm x 54mm)



4" square standard steel box
4" x 4" x 1-1/2"
(102mm x 102mm x 38mm)



4" square (plastic)

Due to continuous product improvements, specification and/or equipment updates may change without notice.