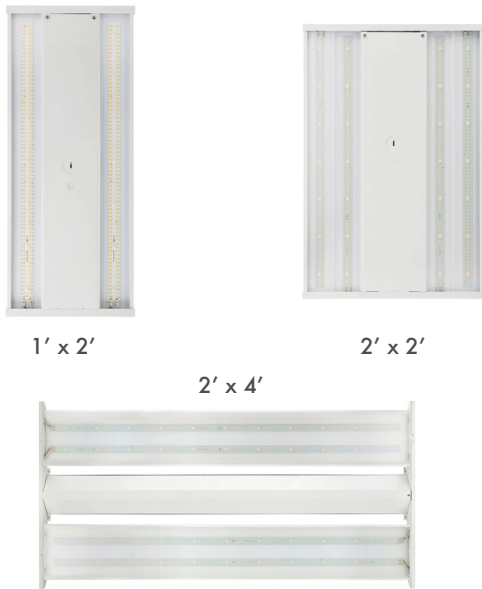


PROJECT: _____
 CATALOG #: _____
 FIXTURE TYPE: _____
 NOTES: _____

HE Series High Bay Gen 1 & 2



PERFORMANCE INFORMATION

SERIES NUMBER	WATT	LUMENS	CCT	SIZE
HE 120 G2 4K	90W	12,200	4000K	1' x 2'
HE 120 G2 5K	90W	12,400	5000K	1' x 2'
HE 170 G2 4K	130W	17,400	4000K	1' x 2'
HE 170 G2 5K	130W	17,600	5000K	1' x 2'
HE 240 G2 4K	180W	24,200	4000K	2' x 2'
HE 240 G2 5K	180W	24,500	5000K	2' x 2'
HE 290 G2 4K	210W	28,200	4000K	2' x 2'
HE 290 G2 5K	210W	28,500	5000K	2' x 2'
HE 360 G1 4K	270W	35,500	4000K	2' x 4'
HE 360 G1 5K	270W	36,000	5000K	2' x 4'
HE 400 G1 4K	300W	39,500	4000K	2' x 4'
HE 400 G1 5K	300W	40,000	5000K	2' x 4'
HE 500 G1 4K	370W	49,500	4000K	2' x 4'
HE 500 G1 5K	370W	50,350	5000K	2' x 4'

The **HE Series High Bay Gen 1 & 2** provides high lumen output and efficiency in three sizes, 1' x 2', 2' x 2', and 2' x 4'. This luminaire has high temperature polycarbonate lens to reduce yellowing and directs light to desired locations.

APPLICATIONS

Industrial, Education, and Retail applications, etc.

REPLACEMENT

4 Lamp T8 32W, 4 Lamp T5HO 54W, 6 Lamp T5HO 54W, 8 Lamp T5HO 54W, 10 Lamp T5HO 54W, 12 Lamp T5HO 54W

ORDERING GUIDE

EXAMPLE: HE 120 G2 4K

Luminaire Type	Lumen Output	Optic Lens	Generation	Voltage	CCT	Finish	Options
HE Lensed High Bay	120 12,200 Lumens 170 17,400 Lumens 240 24,200 Lumens 290 28,200 Lumens	BLANK= Frosted Lens	G2	BLANK= 120-277V HVU 347-480V	4K 4000K 5K 5000K	BLANK= White	BLANK =No Option MS-FSP-212 =Motion Sensor (Choose 1) L3 = L3 Lens* L7 =L7 Lens** HBP-112-L7-OEM =High/Low-Bay PIR On/Off Sensor EL UNV-8W = 8W Emergency Battery Kit EL UNV-16W =16W Emergency Battery Kit SPD-277 = 5KA/10KV Surge Protection device, single phase protection with 120-277V input SPD-480 = 10KA/20KV Surge Protection device, single phase protection with 277-480V input
	360 35,500 Lumens 400 39,500 Lumens 500 49,500 Lumens		G1				

*Max 20 ft mounting height.
 **Max 40 ft mounting height.

Due to continuous product improvements, specification and/or equipment updates may change without notice.

SPECIFICATIONS

HOUSING

Aluminum alloy

AMBIENT TEMPERATURE

Suitable for use in -40°C to 55°C (-40°F to 131°F)

MOUNTING

Aircraft cable included or Pendant mount

EFFICACY

Up to 136 lumens per watt (see individual wattage data)

CCT AND CRI

4000K and 5000K CCT available; 80CRI

LENS

Frosted diffuser polycarbonate lens

WARRANTY

10-year limited warranty. Comprehensive warranty terms can be located on www.slgus.com.

ELECTRICAL

Class 2 Constant Current Driver efficiency (90% standard); 50/60Hz available in 120-277V or 347-480V; 0-10V Dimming standard.

ENERGY DATA

Power factor above 90%.

FINISH

White coat finish

CERTIFICATIONS

UL Listed for damp locations. FCC compliant. RoHs compliant. Design Lights Consortium® (DLC) Premium qualified product.

OPTIONS



MS-FSP-212
Dimmable Motion Sensor



MS-FSP-L3/L7
Lens

The **MS-FSP-212** provides multi-level control base on motion and daylight level. Requires L3 or L7 lens depending the mounting height.

Operation Voltage	Shape	Adjustable Time Delay	Fade Down Time	Operating Temperature	Mounting Height For MS-FSP-L3	Mounting Height For MS-FSP-L7
120/277V	Cone	30 sec - 30 min	0-10 sec	-40°F to 158°F	20 ft*	40 ft**

*Covers a 40 ft diameter when mounting height is 20 ft. Coverage is equal to 2x the height.

**Covers a 100 ft diameter when mounting height is 40 ft. Coverage is equal to 2.5x the height

Due to continuous product improvements, specification and/or equipment updates may change without notice.

OPTIONS CONTINUED



M1 (HBP-112-L7-OEM)

High/Low-Bay PIR On/Off Sensor

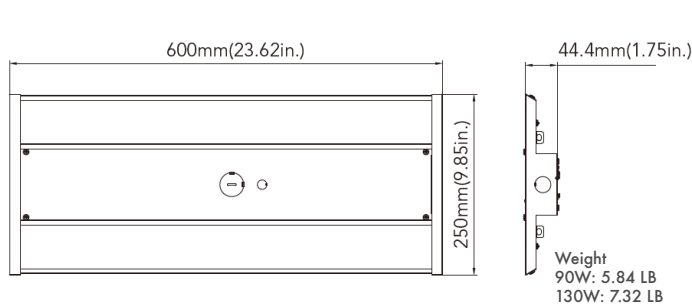
The **HBP-112-L7-OEM** on/off PIR motion sensor ideal for warehouses, distribution centers, gymnasiums, and other indoor applications.

Operation Voltage	Mounting Height	Coverage	Shape	Adjustable Time Delay	Operating Temperature	Applications
120V/ 277V/ 347V	15-40 ft	2.5x Height*	Cone	5/10/15/20/30 min. Default 15 min.	0°C to 70°C 32°F to 158°F	Indoor Only

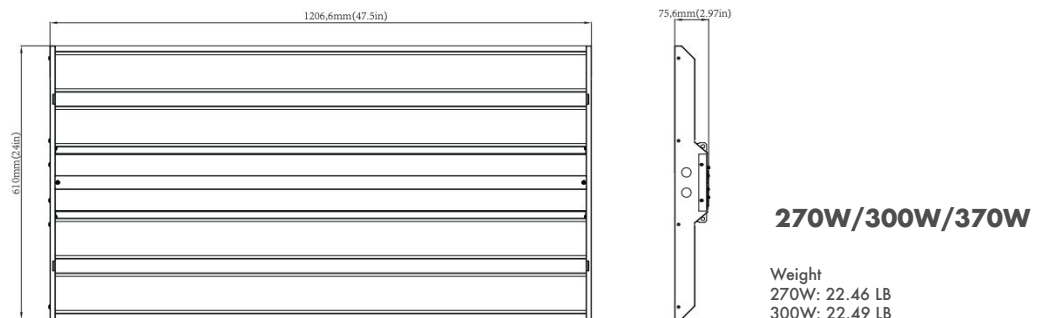
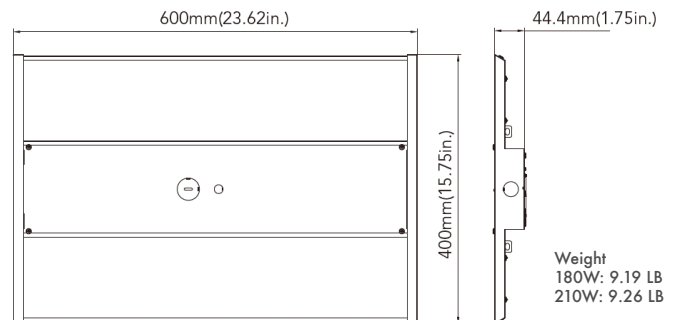
*Covers a 100 ft diameter when the mounting height is 40 ft.

DIMENSIONS

90W/130W

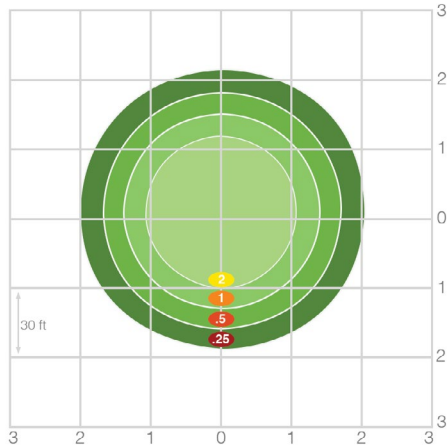


180W/210W



Due to continuous product improvements, specification and/or equipment updates may change without notice.

PHOTOMETRIC



HE 240 G2 5K

Mounting Height	20	25	30	35	40
Multiplier	2.3	1.4	1.0	0.7	0.6

PERFORMANCE COMPARISON

Product Series	Wattage	Lumens	Efficacy (Lm/W)	Replaces	Voltage	Max Mounting Height	DLC
HE 120 G2	90W	12,200 Lm	136 Lm/W	4 Lamp T8 32W	120-277V 347-480V	15-25 ft	Premium
HE 170 G2	130W	17,400 Lm	134 Lm/W	4 Lamp T5HO 54W	120-277V 347-480V	20-35 ft	Premium
HE 240 G2	180W	24,200 Lm	134 Lm/W	6 Lamp T5HO 54W	120-277V 347-480V	25-40 ft	Premium
HE 290 G2	210W	28,200 Lm	134 Lm/W	8 Lamp T5HO 54W	120-277V 347-480V	30-40 ft	Premium
HE 360 G1	270W	35,500 Lm	131 Lm/W	10 Lamp T5HO 54W	120-277V	35-45 ft	Premium
HE 400 G1	300W	39,500 Lm	132 Lm/W	10 Lamp T5HO 54W	120-277V	Up to 50 ft	Premium
HE 500 G1	370W	49,500 Lm	134 Lm/W	12 Lamp T5HO 54W	120-277V	Up to 50 ft	Premium

Due to continuous product improvements, specification and/or equipment updates may change without notice.

ELECTRICAL LOAD

		Current (A)					
		120V	208V	240V	277V	347V	480V
Series Number	Wattage						
HE 120 G2 5K	90W	0.75	0.43	0.38	0.32	0.26	0.19
HE 170 G2 5K	130W	1.08	0.63	0.54	0.47	0.37	0.27
HE 240 G2 5K	180W	1.50	0.87	0.75	0.65	0.52	0.38
HE 290 G2 5K	210W	1.75	1.01	0.88	0.76	0.61	0.44
HE 360 G1 5K	270W	2.25	1.30	1.13	0.97	0.78	0.56
HE 400 G1 5K	300W	2.50	1.44	1.25	1.08	0.86	0.63
HE 500 G1 5K	370W	3.08	1.78	1.54	1.34	1.07	0.77

PROJECTED LUMINAIRE MAINTENANCE

Ambient Temperature	Operating Hours					
	0	10,000	25,000	50,000	75,000	100,000
25°C / 77°F	1	0.98	0.95	0.86	0.79	0.72

AMBIENT TEMPERATURE RATING

Mounting	Suspended	Surface
Standard Temperature Rating	131°F / 55°C	113°F / 45°C

PROJECTED LUMINAIRE MAINTENANCE

Ambient Temperature		Lumen Multiplier
0°C	32°F	1.03
5°C	41°F	1.03
10°C	50°F	1.021
15°C	59°F	1.01
20°C	68°F	1.01
25°C	77°F	1.00
30°C	86°F	.98
35°C	95°F	.89
40°C	104°F	.79

Due to continuous product improvements, specification and/or equipment updates may change without notice.