

Project:	Type:
Prepared By:	Date:

Driver Info		LED Info	
Type	Constant Current	Watts	13W
120V	0.13A	Color Temp	Field Adjustable
208V	N/A	Color Accuracy	90 CRI
240V	N/A	L70 Lifespan	50,000 Hours
277V	N/A	Lumens	1,007
Input Watts	13W	Efficacy	73

Technical Specifications

Performance

Product Type:

Wafer Direct Mount

LEDs:

Edge-lit LED Technology

Input Wattage:

13W

Lumens (Nominal):

1000lm | 1045lm | 1100lm | 1130lm | 1130lm

Efficacy:

77 lm/W | 80.4 lm/W | 84.6 lm/W | 86.9 lm/W | 86.9 lm/W

Color Accuracy (CRI):

90 CRI

Dimmable:

TRIAC and ELV dimming compatibility

L70 Lifespan:

50,000-Hour LED lifespan based on IES LM-80 results and TM-21 calculations

LED Characteristics

Color Temperature:

2700K/3000K/3500K/4000K/5000K

Construction

Size:

6"

Shape:

Round

Enclosure Material:

Plastic

Finish:

White

Trim Style:

Baffle Trim

Technical Specifications (continued)

Construction

Lens:

Acrylic light guide distributes light evenly and smoothly for general lighting applications

Gaskets:

Gasket included can achieve restrictive airflow and wet location without any additional gasket or calk

Optical

Beam Angle:

110°

Electrical

THD:

≤20%

Power Factor:

≥0.9

Operating Temperature:

-30°C - 40°C

Input Voltage:

120V

Operating Frequency:

60Hz

Installation

Mounting:

Tall spring towers allow to be installed in 3/8" up to 5/8" thick ceilings

Round ceiling cutout template provided in box
Heat treated springs hold fixture fitting securely in the ceiling eliminating light leaks

Housing is less than 1/2" thick

Can be removed from below the ceiling for service or replacement

Remote Driver / Junction Box:

Die formed metal driver / junction box with captive hinged junction box cover. Recessed CCT Selectable dipswitch. Listed for (6) #12 AWG 90° C splice conductors, 2-in, 2-out plus (2) ground. (4) 1/2" conduit pry-outs. (3) wire nuts for quick and reliable line voltage connections. Integral mounting facilitates direct mounting to building structure or mounting frame.

Other

Equivalency:

75W

Technology EQ:

Incandescent

Trade Agreements Act Compliant:

This product is a product of Cambodia and a "designated country" end product that complies with the Trade Agreements Act

Buy American Act Compliance:

RAB values USA manufacturing! Upon request, RAB may be able to manufacture this product to be compliant with the Buy American Act (BAA). Please contact customer service to request a quote for the product to be made BAA compliant.

Compliance

Model Number:

DLW0056(WFRL6R139FA120WB)

Safety Listing:

UL Listed

Environment:

Wet

Fixture Rating:

Enclosed

Air Tight:

Housing certified Air Tight as per ASTM E283

IC Rated:

Suitable for direct contact with insulation

Energy Star ID:

2365745

T24 JA8 Compliant:

Complies with Title 24 Appendix JA8

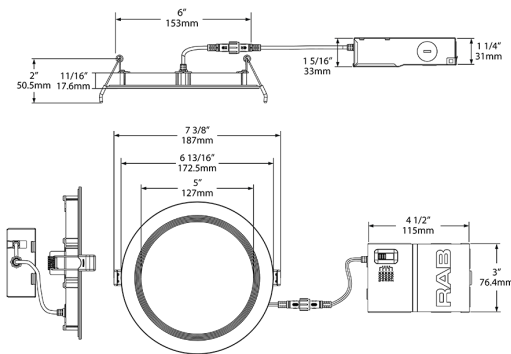
RoHS:

Mercury and UV free. RoHS-compliant components.

FCC:

Complies with Part 15 of the FCC Rules

Dimensions



Features

- 5 color temperatures in 1 SKU (2700K, 3000K, 3500K, 4000K, 5000K)
- Super slim Edge-lit fixture for thin fixture depth
- No recessed housing or J-box required
- New construction or retrofit applications
- UL wet location rated
- Smooth diffused uniform light distribution
- Dimmable down to 5% on compatible dimmers
- Spring loaded retention clips
- Robust, die cast aluminum construction
- IC and airtight rated
- 5-Year, No-Compromise Warranty

Ordering Matrix

Family	Size	Shape	Wattage	CRI/Color Temp	Voltage	Finish	Trim
WFRL	6	R	13	9FA	120	W	B
	3 = 3"	R = Round	6 = 6W	9FA = 90 CRI, 5000/4000/3500/2700K	120 = 120V	W = White	B = Baffle
	4 = 4"		9 = 9W				
	6 = 6"		10.5 = 10.5W				
	8 = 8"		13 = 13W				
			14 = 14W				
			23 = 23W				