



PRODUCT FEATURES

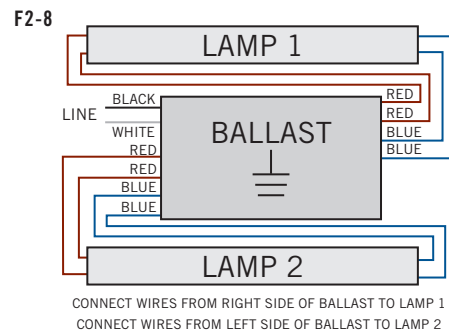
STARTING METHOD: Rapid	INPUT VOLTAGE: 120VAC ±10%	WARRANTY: 3 Years
LAMP CONNECTION: Parallel	INPUT FREQUENCY: 60Hz	POWER FACTOR: Normal

- Sound Rated: A
- Minimum Starting Temperature: 0°F, -18°C
- Maximum Case Temperature: 167°F, 75°C
- Meets FCC Part 18 (Class B) Consumer Limits
- Transient Protection Meets ANSI/IEEE62.41 Cat. A
- Ballast frequency for all listed lamps: 20KHz-33KHz
- Lamp end-of-life protected

ELECTRICAL SPECIFICATIONS

LAMP TYPE	NO. OF LAMPS	INPUT VOLTS	INPUT WATTS	INPUT CURRENT (AMPS)	POWER FACTOR	CREST FACTOR	BALLAST FACTOR	BALLAST EFFICACY FACTOR	MAX THD%	WIRING DIAGRAM
F8T5	2	120	16.1	0.26	0.53	1.57	0.95	5.90	150	F2-8

WIRING DIAGRAMS

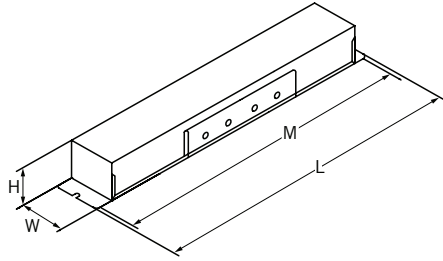




KTEB-208-1-TP-SL-MB

T5 ELECTRONIC FLUORESCENT

CASE STYLE/DIMENSIONS



CASE DIMENSIONS

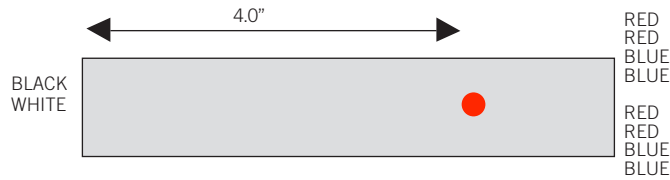
LENGTH: 9.00"
WIDTH: 1.19"
HEIGHT: 0.95"
MOUNTING: 8.75"
UNIT WEIGHT: 0.69 lbs

STANDARD LEAD LENGTHS*

BLACK: 14.00"
WHITE: 14.00"
BLUE: 14.00" X 14.00" X 14.00" X 14.00"
RED: 4.00" X 4.00" X 4.00" X 4.00"

*Consult Keystone for special lead length requirements.

HOT SPOT LOCATION



ORDERING INFORMATION

ORDER CODE	PACKAGING STYLE	PACK QTY.	ITEM STATUS
KTEB-208-1-TP-SL-MB-CP	Carton	50	Quick Ship

CATALOG NUMBER BREAKDOWN

KTEB-208-1-TP-SL-MB

Keystone Technologies
Electronic Ballast
2
Lamps
08
Watts
120V
Input
Thermally
Protected
Slim Case
Style
Mounting
Bracket