



KTEB-432-UV-PS-N-P

T8 ELECTRONIC BALLAST

Version D2



DESCRIPTION

4x F32T8 | 120-277 Multi-Voltage | HPF | Program Start

| |
|---------------------------------------|
| STARTING METHOD: Program |
| LAMP CONNECTION: Parallel |
| INPUT VOLTAGE: 120-277VAC ±10% |
| INPUT FREQUENCY: 50/60 Hz |
| POWER FACTOR: High |
| WARRANTY: 5 Years |



PRODUCT FEATURES

- 2014 DOE Compliant
- Sound Rated: A
- Maximum Ambient Temperature: 105°F, 40°C
- Maximum Case Temperature: 167°F, 75°C
- Meets FCC Part 18 (Class A) Non-Consumer Limits
- Meets ANSI Standard C82.11 and C62.41
- UL, cUL Listed Class P, Type 1 Outdoor
- Anti-Striation Circuitry
- Type HL

ELECTRICAL SPECIFICATIONS

| LAMP TYPE | NO. OF LAMPS | INPUT VOLTS | INPUT WATTS | INPUT CURRENT (AMPS) | POWER FACTOR | BALLAST FACTOR | BALLAST EFFICACY FACTOR | MAX THD% | CREST FACTOR | MIN START TEMP | WIRING DIAGRAM |
|-------------|--------------|-------------|-------------|----------------------|--------------|----------------|-------------------------|----------|--------------|----------------|----------------|
| F32T8 (32W) | 4 | 120 | 112.8 | 0.97 | >0.9 | 0.88 | 0.78 | 10 | <1.7 | 0°F, -18°C | F4-6 |
| | | 277 | 110.6 | 0.40 | >0.9 | 0.88 | 0.80 | 10 | <1.7 | 0°F, -18°C | F4-6 |
| | 3 | 120 | 91.7 | 0.78 | >0.9 | 0.93 | 1.01 | 10 | <1.7 | 0°F, -18°C | F3-8 |
| | | 277 | 90.4 | 0.34 | >0.9 | 0.93 | 1.03 | 10 | <1.7 | 0°F, -18°C | F3-8 |
| F32T8 (30W) | 4 | 120 | 100.8 | 0.86 | >0.9 | 0.88 | 0.87 | 10 | <1.7 | 60°F, 16°C | F4-6 |
| | | 277 | 98.8 | 0.36 | >0.9 | 0.88 | 0.89 | 10 | <1.7 | 60°F, 16°C | F4-6 |
| | 3 | 120 | 83.0 | 0.70 | >0.9 | 0.93 | 1.12 | 10 | <1.7 | 60°F, 16°C | F3-8 |
| | | 277 | 82.4 | 0.30 | >0.9 | 0.93 | 1.13 | 10 | <1.7 | 60°F, 16°C | F3-8 |
| F32T8 (28W) | 4 | 120 | 99.5 | 0.85 | >0.9 | 0.88 | 0.88 | 10 | <1.7 | 60°F, 16°C | F4-6 |
| | | 277 | 96.8 | 0.35 | >0.9 | 0.88 | 0.91 | 10 | <1.7 | 60°F, 16°C | F4-6 |
| | 3 | 120 | 79.1 | 0.67 | >0.9 | 0.93 | 1.18 | 10 | <1.7 | 60°F, 16°C | F3-8 |
| | | 277 | 79.6 | 0.31 | >0.9 | 0.93 | 1.17 | 10 | <1.7 | 60°F, 16°C | F3-8 |
| F32T8 (25W) | 4 | 120 | 87.8 | 0.76 | >0.9 | 0.88 | 1.00 | 10 | <1.7 | 60°F, 16°C | F4-6 |
| | | 277 | 86.7 | 0.32 | >0.9 | 0.88 | 1.01 | 10 | <1.7 | 60°F, 16°C | F4-6 |
| | 3 | 120 | 72.9 | 0.61 | >0.9 | 0.93 | 1.28 | 10 | <1.7 | 60°F, 16°C | F3-8 |
| | | 277 | 71.8 | 0.28 | >0.9 | 0.93 | 1.30 | 10 | <1.7 | 60°F, 16°C | F3-8 |
| F25T8 | 4 | 120 | 87.8 | 0.76 | >0.9 | 0.88 | 1.00 | 10 | <1.7 | 0°F, -18°C | F4-6 |
| | | 277 | 86.7 | 0.32 | >0.9 | 0.88 | 1.01 | 10 | <1.7 | 0°F, -18°C | F4-6 |
| | 3 | 120 | 72.9 | 0.61 | >0.9 | 0.93 | 1.28 | 10 | <1.7 | 0°F, -18°C | F3-8 |
| | | 277 | 71.8 | 0.28 | >0.9 | 0.93 | 1.30 | 10 | <1.7 | 0°F, -18°C | F3-8 |
| F17T8 | 4 | 120 | 60.4 | 0.50 | >0.9 | 0.89 | 1.47 | 10 | <1.7 | 0°F, -18°C | F4-6 |
| | | 277 | 60.1 | 0.22 | >0.9 | 0.89 | 1.48 | 10 | <1.7 | 0°F, -18°C | F4-6 |
| | 3 | 120 | 51.0 | 0.43 | >0.9 | 0.95 | 1.86 | 10 | <1.7 | 0°F, -18°C | F3-8 |
| | | 277 | 50.9 | 0.20 | >0.9 | 0.95 | 1.87 | 12 | <1.7 | 0°F, -18°C | F3-8 |
| F40T8 | 3 | 120 | 111.9 | 0.96 | >0.9 | 0.97 | 0.87 | 10 | <1.7 | 0°F, -18°C | F3-8 |
| | | 277 | 109.4 | 0.40 | >0.9 | 0.97 | 0.89 | 10 | <1.7 | 0°F, -18°C | F3-8 |
| PLL 25W | 4 | 120 | 96.0 | 0.82 | >0.9 | 0.88 | 0.92 | 10 | <1.7 | 0°F, -18°C | P4-2 |
| | | 277 | 94.8 | 0.35 | >0.9 | 0.88 | 0.93 | 10 | <1.7 | 0°F, -18°C | P4-2 |
| | 3 | 120 | 80.2 | 0.67 | >0.9 | 0.93 | 1.16 | 10 | <1.7 | 0°F, -18°C | P4-2 |
| | | 277 | 79.5 | 0.29 | >0.9 | 0.93 | 1.17 | 10 | <1.7 | 0°F, -18°C | P4-2 |



KTEB-432-UV-PS-N-P

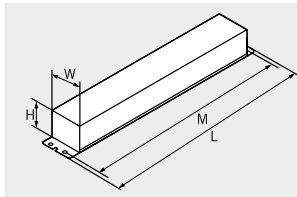
T8 ELECTRONIC BALLAST

Version D2

| LAMP TYPE | NO. OF LAMPS | INPUT VOLTS | INPUT WATTS | INPUT CURRENT (AMPS) | POWER FACTOR | BALLAST FACTOR | BALLAST EFFICACY FACTOR | MAX THD% | CREST FACTOR | MIN START TEMP | WIRING DIAGRAM |
|-----------|--------------|-------------|-------------|----------------------|--------------|----------------|-------------------------|----------|--------------|----------------|----------------|
| PLL 28W | 4 | 120 | 114.5 | 0.98 | >0.9 | 0.88 | 0.77 | 10 | <1.7 | 0°F, -18°C | P4-2 |
| | | 277 | 112.0 | 0.41 | >0.9 | 0.88 | 0.79 | 10 | <1.7 | 0°F, -18°C | P4-2 |
| | 3 | 120 | 93.2 | 0.79 | >0.9 | 0.93 | 1.00 | 10 | <1.7 | 0°F, -18°C | P4-2 |
| | | 277 | 91.5 | 0.34 | >0.9 | 0.93 | 1.02 | 10 | <1.7 | 0°F, -18°C | P4-2 |
| PLL 40W | 3 | 120 | 96.0 | 0.81 | >0.9 | 0.74 | 0.77 | 10 | <1.7 | 0°F, -18°C | P4-2 |
| | | 277 | 94.0 | 0.35 | >0.9 | 0.74 | 0.79 | 10 | <1.7 | 0°F, -18°C | P4-2 |

PHYSICAL SPECIFICATIONS

CASE DIMENSIONS



| | |
|------------|-------|
| LENGTH | 9.50" |
| WIDTH | 1.70" |
| HEIGHT | 1.18" |
| MOUNTING | 9.00" |
| CASE STYLE | L5 |

STANDARD LEAD LENGTH*

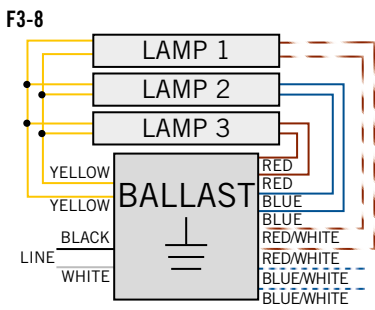
| | |
|--------------|-----|
| WHITE | 25" |
| BLACK | 25" |
| BLUE | 31" |
| BLUE / WHITE | 31" |
| RED | 31" |
| RED / WHITE | 31" |
| YELLOW | 39" |

CASE MATERIAL: Steel

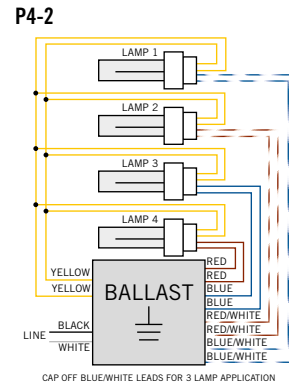
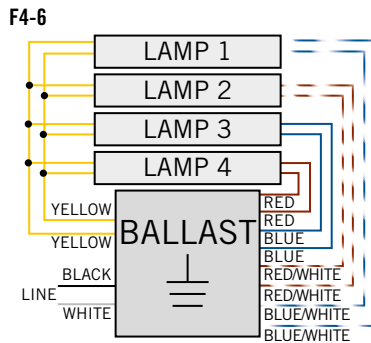
Lead wires are 18 AWG 105 C/600V, solid copper.

* Consult Keystone for special lead length requirements.

WIRING DIAGRAMS



CAP UNUSED BLUE/WHITE LEADS, INSULATE TO 600V



CAP OFF BLUE/WHITE LEADS FOR 3 LAMP APPLICATION

ORDERING INFORMATION

| ORDER CODE | PACKAGING STYLE | PACK QTY. | ITEM STATUS |
|-----------------------|------------------|-----------|-------------|
| KTEB-432-UV-PS-N-P-CP | Carton Pack | 10 | Quick Ship |
| KTEB-432-UV-PS-N-P-CP | Distributor Pack | | |

NOTE: Version D2 (Manufacturing Revision). Prior versions of this ballast exist. Spec sheets for prior versions available upon request. Contact Keystone for details.

CATALOG NUMBER BREAKDOWN

KTEB-432-UV-PS-N-P-CP

