

PROJECT:	_____
CATALOG #:	_____
FIXTURE TYPE:	_____
NOTES:	_____

AR Area Light Roadway Series



The **AR Area Light Roadway Series** luminaire provides superior optical performance and outstanding versatility for a wide variety of area and roadway applications. Features include single latch tool-less entry, industry leading surge protection options and high lumen maintenance and performance.

APPLICATIONS

Parking lots, walkways, roadways, plazas and campuses

REPLACEMENT

Up to 400W Metal Halide replacement

PERFORMANCE INFORMATION

SERIES NUMBER	WATT	LUMENS	CCT
AR 60 T3 G1 4K	45W	6,350	4000K
AR 60 T3 G1 HVU 4K	45W	6,350	4000K
AR 95 T3 G1 4K	70W	9,400	4000K
AR 95 T3 G1 HVU 4K	70W	9,400	4000K
AR 140 T3 G1 4K	100W	13,800	4000K
AR 140 T3 G1 HVU 4K	110W	14,700	4000K
AR 200 T3 G1 4K	150W	20,000	4000K
AR 200 T3 G1 HVU 4K	150W	20,000	4000K

SPECIFICATIONS

HOUSING

One-piece die-cast aluminum housing for optimal thermal management with conductive and convective cooling. The driver is directly assembled on the casting for low operating temperature and long server life. The removable door is 3G vibration rated that follows roadway and area lighting standards set by ANSI C136.31. This fixture is UL listed for wet locations.

AMBIENT TEMPERATURE

Suitable for use in -40°C to 45°C

MOUNTING

Pole mount. Fits on a 1.66" (42mm) O.D. (1.25" NPS), 1.9" (48mm) O.D. (1.5" NPS) or 2 3/8" (60mm) O.D. (2" NPS) by 5 1/2" (140mm) minimum long tenon. Comes with a zinc plated clamp fixed by 2 zinc plated hexagonal bolts 3/8 16 UNC for ease of installation. Provides easy step adjustment of +/- 5° tilt in 2.5° increments.

ELECTRICAL

Available in electronic universal voltage (120 -277V 50/60Hz), 347V 60Hz, and 480V 60Hz operation. Standard 0-10V dimming, 10KV/10KA common-mode and differential mode surge protection.

EFFICACY

Up to 130 lumens per watt

ENERGY DATA

Constant current driver efficiency above 90%

CCT AND CRI

Available in IES Type III distribution
Offered in 4000K and 5000K; 70 CRI.

OPTICS

Optics are designed to shape the distribution, maximize efficiency and application spacing.

FINISH

Exterior parts are protected by coat finish which provides superior resistance to corrosion and weathering. Custom colors available.

WARRANTY

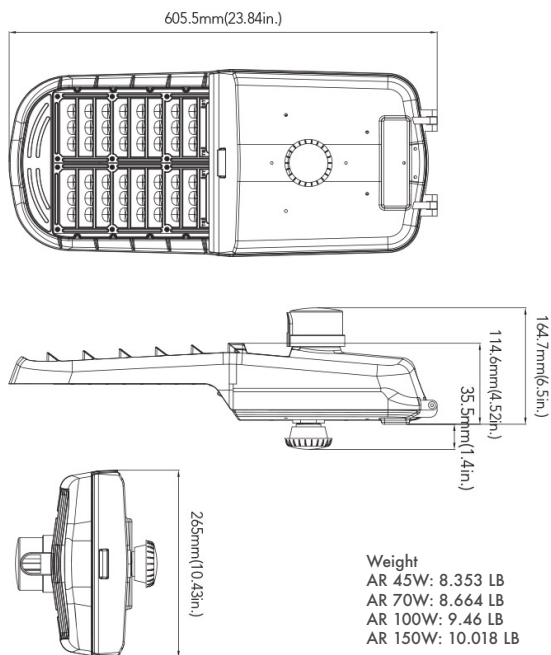
Suitable for wet location, IP66 rating. 10-year limited warranty. Comprehensive warranty terms can be located on www.slgus.com.

Due to continuous product improvements, specification and/or equipment updates may change without notice.

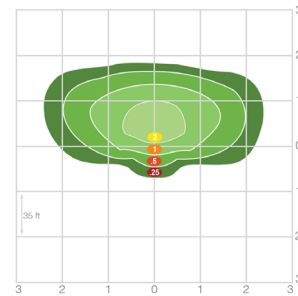
ORDERING GUIDE							EXAMPLE: AR 60 T3 G1 4K		
Luminaire Type	Lumen Output	Distribution	Generation	Voltage	CCT	Finish	Photocell	Options	
AR Roadway Light Series	60 6,350 Lumens 95 9,400 Lumens	T3 Type 3	G1	BLANK= 120-277V	4K 4000K 5K 5000K	BLANK= Silver Gray	BLANK= 120-277V Photocell 347V-480V 347-480V Photocell	BLANK= No Option MS-FSP-211=Motion Sensor (Choose 1) L3=40' diameter lens L7=100' diameter MS-FSIR-100= Wireless commissioning tool	
	140 13,800 Lumens 200 20,000 Lumens			BLANK= 120-277V HVU 347-480V					

*For a custom color, please call to place your order

DIMENSIONS



PHOTOMETRIC



AR 140 G1 4K
35 ft Mounting Height

Mounting Height	20	25	30	35
Multiplier	3.1	2.0	1.4	1.0

PROJECTED LED LUMEN MAINTENANCE

Operating Hours	0	25,000	50,000	100,000
Lumen Maintenance Factor	1.00	0.97	0.97	0.96

EPA:
0.56 square ft

Due to continuous product improvements, specification and/or equipment updates may change without notice.

PERFORMANCE DATA

PERFORMANCE PACKAGE	DRIVE CURRENT(mA)	WATT	OPTIC	40K					50K				
				(4000K CCT; 70 CRI Min.)					(5000K CCT; 70 CRI Min.)				
				LUMENS	LPW(Lm/W)	B	U	G	LUMENS	LPW(Lm/W)	B	U	G
18 PCS	1120	45	T3	6,300	140	1	3	1	6,350	141	1	3	1
		45 (HVU)	T3	6,300	140	1	3	1	6,350	141	1	3	1
24 PCS	1750	70	T3	9,300	133	1	3	2	9,400	134	1	3	2
		70 (HVU)	T3	9,300	133	1	3	2	9,400	134	2	3	2
30 PCS	2500	100	T3	13,600	136	2	3	2	13,800	138	2	3	2
		110 (HVU)	T3	14,500	132	2	3	2	14,700	134	2	3	2
48 PCS	3850	150	T3	19,800	132	2	3	2	20,023	133	2	3	2
		150 (HVU)	T3	19,800	32	2	3	2	20,000	133	2	3	2

LUMEN AMBIENT TEMPERATURE (LAT) MULTIPLIERS

Ambient		Lumen Multiplier
0°C	32°F	1.04
5°C	41°F	1.04
10°C	50°F	1.03
15°C	59°F	1.02
20°C	68°F	1.01
25°C	77°F	1.00
30°C	86°F	0.99
35°C	95°F	0.98
40°C	104°F	0.97

ELECTRICAL LOAD

Wattage	Current (A)					
	120V	208V	240V	277V	347V	480V
45W	0.38	0.22	0.19	0.16	0.13	0.09
70W	0.58	0.34	0.29	0.25	0.20	0.15
100W	0.83	0.48	0.42	0.36	0.29	0.21
110W	0.92	0.53	0.46	0.40	0.32	0.23
150W	1.25	0.72	0.63	0.54	0.43	0.31

Due to continuous product improvements, specification and/or equipment updates may change without notice.