

Albeo® ALV2 Series

LED Linear Industrial Low Bay



CUSTOMER NAME _____
 Project Name _____
 Date _____ Type _____
 Catalog Number _____

The **Albeo® ALV series** Gen 2 LED luminaire is an energy-efficient, cost effective linear led "strip" fixture for a variety of commercial/ industrial, low bay and stairwell applications. This product can be matched with Daintree® motion, daylight and wireless controls from stand alone operation, zone based control or fully networked solutions for increased energy savings. ALV2 is designed for total cost of ownership over the product lifetime. Drivers are designed with 10 year, 100,000 hour components, where a B0 failure rate (designed for zero failures at ten years) can be expected. From "one screw" belly pans to simple, plug in continuous run links, ALV2 installs quickly and easily with no surprises.

CONSTRUCTION

Housing:	Steel body
Lens:	Polycarbonate diffused
Paint:	White Prepaint <i>No glass in housing or lenses</i>
Weight:	4 ft. - 11lbs max; 8 ft. - 19lbs max

PERFORMANCE

Distribution:	120° Diffused Lens
Lumens:	2,000–16,000 lumens
Efficacy:	Up to 160 LPW
CCT:	3000K, 3500K, 4000K, 5000K
CRI:	80 CRI Standard (90CRI Contact factory for lead-times)

ELECTRICAL

Input Voltage:	120–277V, 347V, or 480V
Input Frequency:	50/60 Hz
LED Driver Type:	Class 2, 3kV surge protection
Power Factor (PF)*:	>0.9*
Total Harmonic Distortion (THD)*:	<20%*
EMI:	FCC CFR Title 47 Part 15, Class A

* PF and THD may vary with options

CONTROLS

High-end trim, occupancy and ambient light detection with dimming available. Wireless Daintree® options available.

LUMINAIRE AMBIENT TEMPERATURE

TYPE	TEMPERATURE RATE
OPERATING TEMPERATURE	-30°C to +45°C (-22°F to 113°F)
STORAGE TEMPERATURE	-40°C to +70°C (-40°F to 158°F)

LUMEN MAINTENANCE

LXX(10K) @ Hours 100,000 HR
L70
TM-21 Calculation at 25°C: L90 @ 100,000 hrs* <small>*L85 @ 100,000 hrs for 4T10 and 8T20 configurations</small>

ADDITIONAL FEATURES

- **Typical Mounting:** Standard Chain/Cable or Surface mount ready
- **Standard:** knockout access (no cord, no plug)
 - 6 ft. 18-3 – Cord A
 - 12 ft. 18-3 – Cord B
 - 15A, 20A, Straight or twist lock plug – Plug A, B, C, or D

DESIGN LIFE & WARRANTY

- **Reliability Testing:** Components and/or systems evaluation at extreme conditions and monitored during production.
- Please refer to the DLC QPL website for the latest and most complete information: <http://www.designlights.org/QPL>
- UL 1598 Suitable for Damp Locations
- RoHS compliant
- **Current's Limited 5-year Warranty:**
Please refer to document **ALB048** for more information.

Albeo® ALV2 Series

LED Linear Industrial Low bay

Catalog Logic and Accessories

CUSTOMER NAME

Project Name _____

Date _____ Type _____

Catalog Number _____

ORDERING INFORMATION:

ALV2

T

W

PRODUCT ID	VOLTAGE	FIXTURE LENGTH	LUMEN OUTPUT	PERFORMANCE LEVEL	LED COLOR TEMP	OPTICS BEAM	FIXTURE TYPE	SENSOR/WIRELESS	CONTROL WIRING	EMERGENCY	MOUNTING	CORD	PLUG	FINISH	OPTIONS
ALV2 = Albeo Linear Value Series 2 nd Gen	0 = 120-277	4T = 4 ft	02 = 2,000	T = Standard Efficiency	80 Plus CRI	1D = 120° Diffused Lens	S = Stand Alone	Q = None	Q = No 0-10V dimming	Q = None	ST = Standard	K = Knockout	Q = None	W = White Powder Coat	Blank = No Special Options 1PK = Single Pack (For distributor stocking. Default is job pack not 1PK).
	1 = 120*		03 = 3,000		38 = 3000K		C = Continuous Runs	A = Occ Sense On/Off 360° LSXR							
	4 = 277*	8T = 8 ft	04 = 4,000		C8 = 3500K		Note = For Continuous Runs, Starter Kit 93095878 must be ordered for each run.	B = Occ Sense High-Low Dimming 360° LSXR	V = External 0-10V Control Wires	Note = Battery Backup not available at 347/480V	52 = Cable/Tongle 10ft.	B = 12ft. 18ga cord	B = 20A Straight Plug		
	D = 347*		05 = 5,000	06 = 6,000		48 = 4000K		P = Daylight Sense W/Occupancy On/Off LSXR	W = Bi-Level Dimming/Stairwell Setting Sensor	Note = V option not available with dimming & ZigBee sensors	Note = Battery Backup not available at 347/480V	53 = Cable/Tongle 15ft.		C = 15A Twistlock Plug	
	5 = 480*		08 = 8,000		90 Plus CRI		S = Daylight Sense W/Occupancy High/Low LSXR	Full Featured			54 = Cable/Tongle 20ft		D = 20A Twistlock Plug		
			04 = 4,000		39 = 3000K			1 = 20' Motion Sensor FSP221 W/Daylight & High/Low Dimming							
			06 = 6,000		C9 = 3500K			2 = 40' Motion Sensor FSP221 W/Daylight & High/Low Dimming (Requires remote to modify default settings sold separately)							
			08 = 8,000		49 = 4000K			Daintree® EZ Connect¹:		Leave blank					
			10 = 10,000		59 = 5000K			DF = Occupancy & Ambient light sensor w/ Continuous Dimming		Leave blank					
			12 = 12,000					Daintree® One:		Leave blank					
			16 = 16,000					FB = Occupancy & Ambient Light Sensor with Continuous Dimming		Leave blank					
								Daintree® Networked:		Leave blank					
								NA = Occupancy & Ambient Light Sensor, w/ Continuous Dimming (full feature)							
								TQ ³ = Wireless Daintree® Enabled (no sensor)							

80 CRI @ 5000K CCT

FIXTURE LENGTH	OUTPUT LUMENS	TYPICAL DELIVERED LUMENS	TYPICAL POWER		TYPICAL LPW 120-277V	MAX AMBIENT TEMP (°C)
			120-277V	347/480V		
4 ft	2,000	2,000	14	16	143	45°C
4 ft	3,000	3,000	20	22	150	
4 ft	4,000	4,000	26	29	154	
4 ft	5,000	4,900	33	36	148	
4 ft	6,000	5,900	41	44	144	40°C
4 ft	8,000	7,700	59	67	131	
8 ft	4,000	4,000	25	28	160	
8 ft	6,000	6,000	38	41	158	
8 ft	8,000	7,900	52	60	152	45°C
8 ft	10,000	9,800	67	75	146	
8 ft	12,000	11,700	83	91	141	
8 ft	16,000	15,600	119	129	131	

ACCESSORIES, OPTIONS & PACKAGING

Emergency Battery:	Integral EM battery option provides 90-minutes of emergency lighting. Design lumen output: 2000lm at 5000K 80CRI.
Packaging:	Standard packaging is job pack/bulk pack consisting of 1 to 4 fixtures per package reducing unpack time at the job site. Single Pack (for stocking)—Option 1PK
Wire guards:	White painted wire guard for added protection. Easy field installation. SKU# 93095697 Two kits needed for 8ft fixtures
Continuous Run:	One starter kit needed per run. SKU# 93095878. Each kit includes endcaps, starter whip, and male/female orientation adapter.

ORDERING NOTES:

- DF, FB, and NA only available for Stand Alone fixture type.

	CRI	CCT	T OUTPUT
80 CRI		5000K	100%
		4000K	98%
		3500K	97%
		3000K	93%
90 CRI		5000K	89%
		4000K	85%
		3500K	83%
		3000K	81%

Albeo® ALV2 Series

LED Linear Industrial Low bay

Dimensions

CUSTOMER NAME

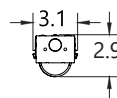
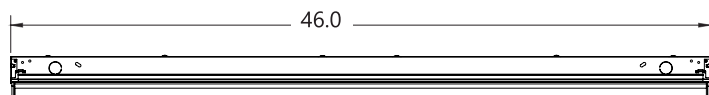
Project Name _____

Date _____ Type _____

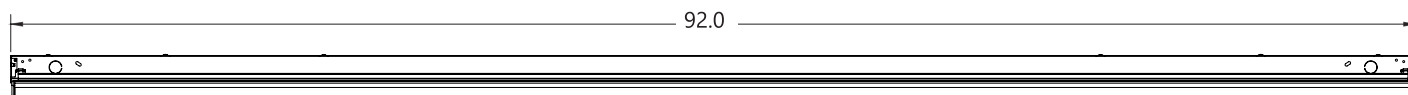
Catalog Number _____

ALV2 SERIES MODULAR FIXTURE

4 Ft.



8 Ft.



Albeo® ALV2 Series

LED Linear Industrial Low bay

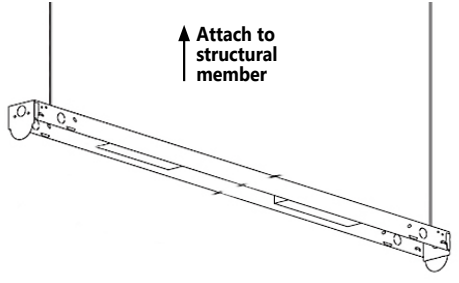
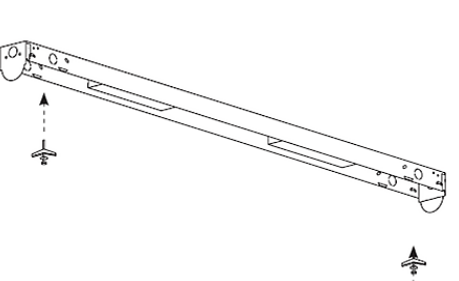
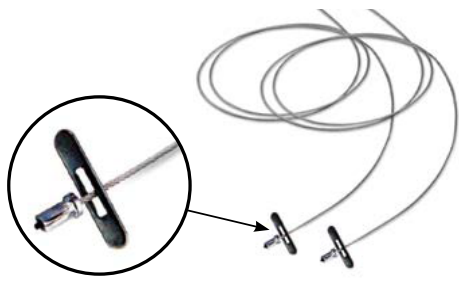
Mounting & Accessories

CUSTOMER NAME

Project Name _____

Date _____ Type _____

Catalog Number _____

MOUNTING OPTIONS	IMAGE	ORDER LOGIC CODE
<p>Standard Chain/Cable Mount Available on all fixture configurations (chain not included). Cable w/ hook can be ordered as an accessory.</p>		<p>ST = Standard</p>
<p>Surface Mount (Optional) Available on all fixture configurations. Standard mounting option is surface mount ready.</p>		<p>ST = Standard</p>
<p>Cable with Toggle (Optional) Order separately. 5 ft., 10 ft., 15 ft., 20 ft. lengths available.</p>		<p>51 = Cable/Toggle 5 ft. - Pair SKU#: PRT0154</p> <p>52 = Cable/Toggle 10 ft. - Pair SKU#: PRT0155</p> <p>53 = Cable/Toggle 15 ft. - Pair SKU#: PRT0156</p> <p>54 = Cable/Toggle 20 ft. - Pair SKU#: PRT0157</p> <p>Max Load 200 lbs. Per Pair</p>