

PROJECT NAME: _____ CAT. #: _____
 NOTES: _____ FIXTURE SCHEDULE: _____

Slim GuardMax



Product Description:

The GuardMax Slim Profile Security Light delivers high quality illumination in a compact form factor ideal for commercial and multi-residential lighting applications. Designed with field selectable CCT technology (3000/4000/5000K or 4000/5000K, see Ordering Information) and a photocell that can be enabled or disabled to user preference.

Features:

- Die Cast Aluminum housing with corrosion resistant polyester paint finish
- Impact resistant UV stabilized polycarbonate lens
- Photocell can be enabled or disabled to user preference

Voltage:

- 120-277V

Mounting:

- Two 1/2" threaded conduit holes available on each size for surface conduit
- Mounts directly to wall with 3"-4.5" JBox

Listings:

- UL listed for Wet Locations, Outdoor
- IP66
- DLC Premium

Ordering Information

FAMILY	WATTAGE	VOLTAGE	DIMMING	-	WATTAGE SELECTABLE	CCT	FINISH	OPTIONS
SECS= Slim GuardMax	15= 15W	U= 120-277V	D= 15W Dimmable Driver	-	[BLANK]= Dedicated Wattage	CS= CCT Selectable (Default setting 5000K, 15UD and 30U= 3000/4000/5000K 15U and 26U= 4000/5000K)	B= Bronze	PC= Photocell with On/Off Switch (Standard)
	26= 26W 30= 30W		[BLANK]= 15W and 26W Non Dimmable, 30W is Dimmable, see Ordering/DLC Chart		W= Wattage Selectable (15W/25W/30W) <small>30W only (default setting 30W)</small>			

*Based on CCT Selected and color mixing, all LEDs may not be activated.

Ordering

ORDER CODE	MODEL NUMBER	DLC ID #
103975	SECS15UCSBPC	
103856	SECS26UCSBPC	
DLC Premium		
104056	SECS15UD-CSBPC	S-67K4VY
104059	SECS30U-WCSBPC	S-JK621G

Specifications

	SECS15UCSBPC	SECS15UD-CSBPC	SECS26UCSBPC	SECS30U-WCSBPC
NOMINAL WATTAGE	15W	15W	25W	30W*
LUMENS DELIVERED	1,900-2,260	2,100-2,200	3,300-3,940	3,750-4,020
EQUIVALENCY	100W MH	100W MH	150W MH	150W MH
EFFICACY (lm/W)	126-147	124-147	136-145	130-144
CCT	Selectable 3000/4000/5000K (15UD and 30U) or 4000/5000K (15U and 26U)			
DISTRIBUTION	Type IV			
CRI	≥80			
L70 (hrs)	≥100,000			
VOLTAGE	120-277V 50/60Hz			
POWER FACTOR	≥0.90			
HOUSING	Die Cast Aluminum with corrosion resistant polyester paint finish			
LENS	Impact resistant UV stabilized polycarbonate			
MOUNTING	Direct Wall mount with universal plate for 3-4.5" Jbox, two 1/2" conduit holes, one on each side for surface conduit			
OPERATING TEMPERATURE	-40°C/F - 40°C/104°F			
LISTINGS	DLC Premium (see chart and DLC QPL), UL, FCC			
ENVIRONMENT	Wet Location and IP66			
WARRANTY	5 years			

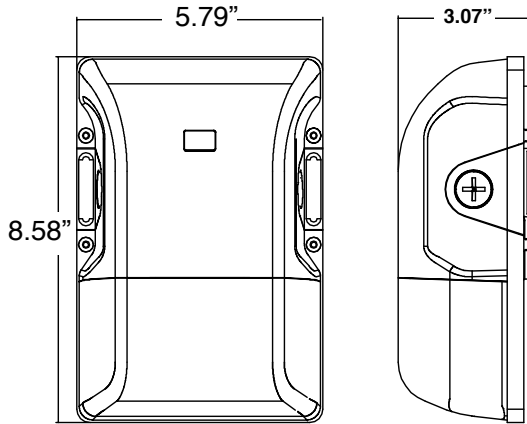


5-year standard warranty at 16hr burn (further details available at www.maxlite.com/warranties)

PROJECT NAME: _____ CAT. #: _____
 NOTES: _____ FIXTURE SCHEDULE: _____

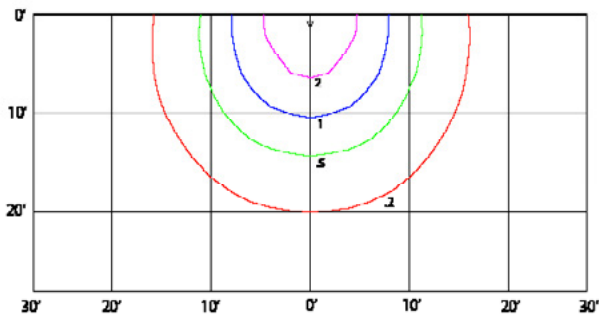
Slim GuardMax

Dimensions

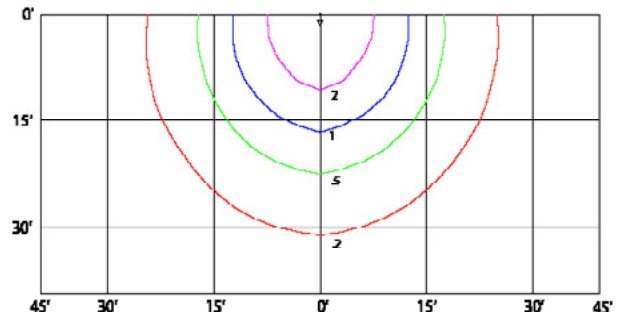


Photometric Layouts*

*Units in FC



15W
10' Mounting Height



26/30W
15' Mounting Height



5-year standard warranty at 16hr burn (further details available at www.maxlite.com/warranties)