



LED Pro Series Luminaires

Product Specifications



TCP's LED Pro Series Luminaires feature back-lit technology with a robust construction that still offers a slim, low profile with beautiful full-panel diffusion and superior uniformity. The pre-installed TCP Quick Connect Wiring allows for the easiest panel installation.

These energy efficient luminaires offer a cost-effective solution to maximize energy savings and take advantage of utility rebates.

Applications: T-bar Grid Ceilings

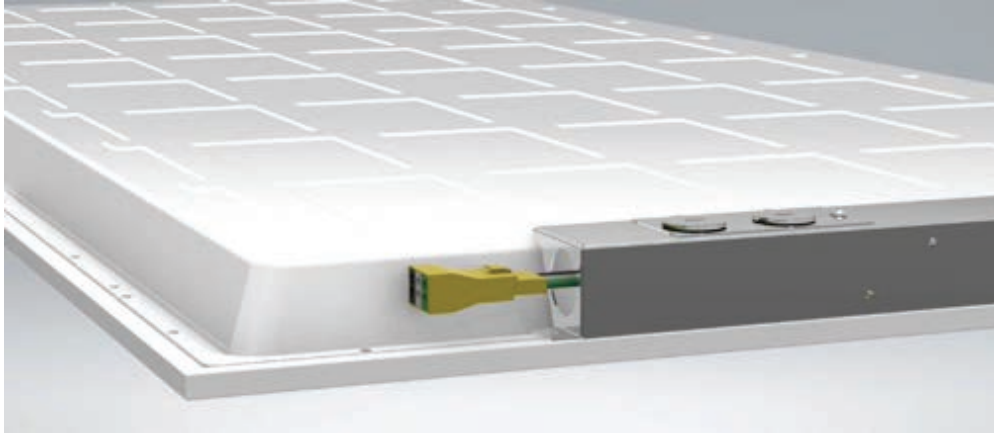
Reasons to choose the LED Pro Series Luminaires from TCP

- Superior energy efficiency compared to fluorescent alternatives, providing instant energy savings and potential rebate ability
- Long 50,000 hour rated life significantly reduces maintenance labor and material costs
- Excellent color consistency and high CRI enhances color of focal point while maintaining uniformity throughout lighting installation
- Mercury-free construction is great for all environments
- Fits standard 1" and 9/16" T-bar grid ceilings
- Utilizes back-lit technology for full diffusion with excellent uniformity
- Slim, low-profile design and lightweight for easy handling

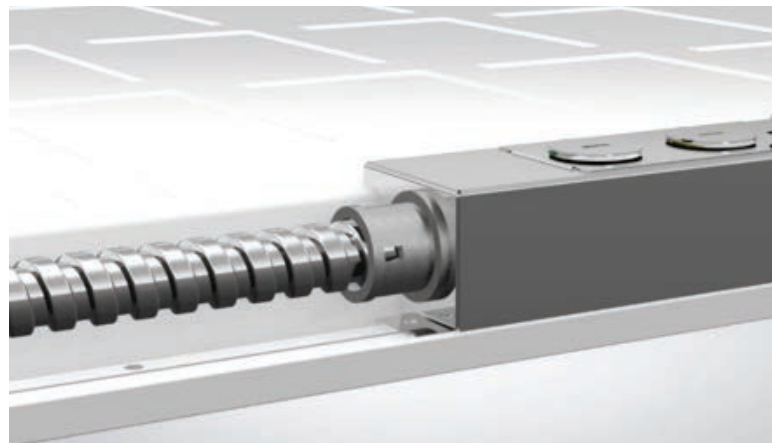
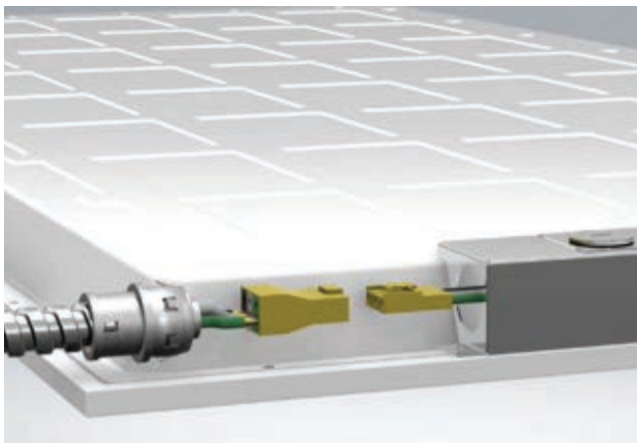
Ideal Applications

- Office
- Retail Stores
- Schools
- Hospitality
- Restaurants
- Healthcare

Fast, easy installation with TCP Quick Connect Wiring



6-node prewired connector included standard



Install like a PRO with TCP's new Pro Line Panel!

- Time is money - two-step wiring system reduces wiring install time by 75%
- Daisy chain ready - included 6-node connector allows for fast daisy chaining
- Controls? No problem - 0-10V lines included in driver compartment

Scan me to see the PLP in action!



For the most up-to-date specs and warranty information, please visit www.tcp.com

Specifications

Input Line Voltage	120-277 VAC
Input Line Frequency (Hz)	50/60Hz
Wattage (W)	
2'x2'	38W (Wattage Selectable to 38W/29W/23W)
2'x4'	46W (Wattage Selectable to 46W/39W/29W)
Lumens (l)	
2'x2'	4200/3200/2600L
2'x4'	5100/4400/3300L
Lumens per Watt (LPW).....	>110 LPW
Rated Life	50,000 hours
Minimum Starting Temperature	-20°C
Maximum Operating Temperature.....	40°C
CRI	>80
Power Factor	>90%
THD.....	<20%
Ratings	UL/cUL damp location rated, IC rated, IP20, DLC Standard 5.1
Controls.....	0-10V dimming (standard)

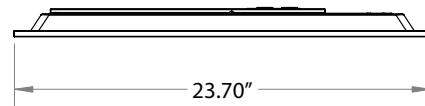
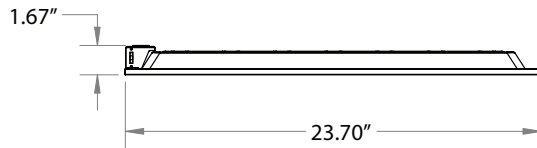
2'x2'



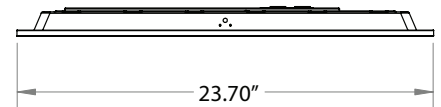
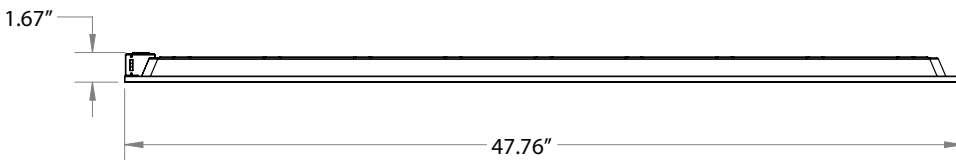
2'x4'



2' x 2' Pro Line Panel



2' x 4' Pro Line Panel



Applications

TCP LED Pro Series Luminaires are cost-effective, high-efficiency alternatives to traditional T5, T8 and T12 linear fluorescent troffers. Featuring a slim, low-profile design, our LED Pro Series Luminaires use back-lit technology to deliver full panel diffusion and superior uniformity that meets or exceeds the output from edge-lit panels. Applications include offices, schools, retail locations, healthcare, hospitality and other T-grid and commercial ceilings.

Construction

- Rectangular white frame
- Lens: frosted white diffuser
- IP20 rated
- IC rated for direct contact with insulation
- Designed for easy drop into T-bar grid ceilings
- T-Bar grid clips included standard

Electrical

- UL/cUL damp location rated
- 0-10V dimming driver (standard)
- LED driver with integrated junction box
- System rated for long 50,000 hour life

Optics

- Back-lit technology provides even, uniform lighting
- 120° beam angle
- Frosted diffuser for reduced glare and aesthetic appeal
- Meets or exceeds the look and performance of edge-lit panels

Item Number	
Notes	Type



Listings

UL/cUL Listed
IC Rated
RoHS Compliant

Lumen Maintenance

L70 > 54,000 hours

Warranty

Five year limited warranty against defects in manufacturing.

ITEM NUMBER	SIZE	VOLTAGE	DRIVER CONTROLS	LUMEN PACKAGE	COLOR TEMPERATURE	COLOR	FACTORY INSTALLED OPTIONS	ADDED CONTROL OPTIONS
PLP – Pro Line Panel	2 – 2' x 2'	U – 120-277V	ZD – 0-10V Dimming	A1 – 2600/3200/4200L (23/29/38W Selectable)	30K – 3000K 35K – 3500K 41K – 4100K 50K – 5000K CCT – 35/41K/50K Selectable	Blank – White BLK – Black	Blank – None EB – Battery Backup	Blank – None All Controls – (SM – SmartBox Bluetooth)

¹ Approximate lumen output. Actual performance may vary based on CCT, options selected and end user application.

² Actual wattage may differ by +/- 5%; when operating between 120-277V +/- 10%.

³ 23W and 29W are permanently fixed; 38W is adjustable.

⁴ Special frame colors are special order only. Please contact your TCP Sales Representative for details.

Accessories:

Item Number	Description
YHANGER6PK	Y FIT CABLE HANGER 6 PACK (ONE PACK HANGS 3 PANELS)
DTSK2	SURFACE MOUNT KIT FOR DIRECT TROFFER 2X2
DNFLK2	RECESS MOUNT FLANGE KIT FOR 2X2 TROFFERS

For the most up-to-date specs and warranty information, please visit www.tcp.com

Applications

TCP LED Pro Series Luminaires are cost-effective, high-efficiency alternatives to traditional T5, T8 and T12 linear fluorescent troffers. Featuring a slim, low-profile design, our LED Pro Series Luminaires use back-lit technology to deliver full panel diffusion and superior uniformity that meets or exceeds the output from edge-lit panels. Applications include offices, schools, retail locations, healthcare, hospitality and other T-grid and commercial ceilings.

Construction

- Rectangular white frame
- Lens: frosted white diffuser
- IP20 rated
- IC rated for direct contact with insulation
- Designed for easy drop in T-bar grid ceilings
- Tbar grid clips included as standard

Electrical

- UL/cUL damp location rated
- 0-10V dimming driver (standard)
- LED driver with integrated junction box
- System rated for long 50,000 hour life

Optics

- Back-lit technology provides even, uniform lighting
- 120° beam angle
- Frosted diffuser for reduced glare and aesthetic appeal
- Meets or exceeds the look and performance of edge-lit panels

Item Number	
Notes	Type



Listings

UL/cUL Listed
IC Rated
RoHS Compliant

Lumen Maintenance

L70 > 54000 hours

Warranty

Five year limited warranty against defects in manufacturing.

ITEM NUMBER	SIZE	VOLTAGE	DRIVER CONTROLS	LUMEN PACKAGE	COLOR TEMPERATURE	COLOR	FACTORY INSTALLED OPTIONS	ADDED CONTROL OPTIONS
PLP – Pro Line Panel	4 – 2' x 4'	U – 120-277V	ZD – 0-10V Dimming	A2 – 3300/4400/5100L (29/39/46W)	30K – 3000K 35K – 3500K 41K – 4100K 50K – 5000K CCT – 35/41K/50K Selectable	Blank – White BLK – Black	Blank – None EB – Battery Backup	Blank – None All Controls – (SM – SmartBox Bluetooth)

¹ Approximate lumen output. Actual performance may vary based on CCT, options selected and end user application.

² Actual wattage may differ by +/- 5%; when operating between 120-277V +/- 10%.

³ 23W, 29W and 38W are permanently fixed; 46W is adjustable.

⁴ Special frame colors are special order only. Please contact your TCP Sales Representative for details.

Accessories:

Item Number	Description
YHANGER6PK	Y FIT CABLE HANGER 6 PACK (ONE PACK HANGS 3 PANELS)
DTSK4	SURFACE MOUNT KIT FOR DIRECT TROFFER 2X4
DTFLK4	RECESS MOUNT FLANGE KIT FOR 2X4 TROFFERS AND PANELS

For the most up-to-date specs and warranty information, please visit www.tcp.com

TECHNOLOGY CAST IN A BEAUTIFUL LIGHT

For over 20 years, TCP has been designing, developing and delivering energy-efficient lighting into the market. Thanks to our cutting-edge technology and manufacturing expertise, we have shipped billions of high quality lighting products. With TCP, you can count on a lighting product that is designed to meet the needs of the market - that transforms your surroundings and envelopes you in warmth - lighting that generates beauty with every flip of the switch.

Sales:

Date:

Model:

Project:

Rep:

Catalog Number:

Type:

Notes:



For more information on the quality and care TCP can deliver, call us at **800.324.1496** or visit tcp.com

325 Campus Dr. | Aurora, Ohio 44202 | P: 800.324.1496 | F: 877.487.0516