

# THERMOPLASTIC LED EMERGENCY UNIT (LTEM)

## HOUSING

- Impact Resistant Thermoplastic Housing (UL94-5VA)
- Universal J-box Mounting
- Completely Self Contained
- Stylish Low Profile Contemporary Design
- Damp Location Rated

## ILLUMINATION

- Fully Adjustable 1 watt LED Heads



## BATTERY

- NiCad Battery Standard
- 15 Yr. Life Expectancy within 0°-40°C Operating Temps
- 2.2 Watts of Remote Battery Power is Optional

## ELECTRONICS

- Low voltage Disconnect
- AC Lockout
- Brown-out Protection
- 120-277 Volt Rated, 60Hz
- SD2 Self Test/Self Diagnostics Option Available

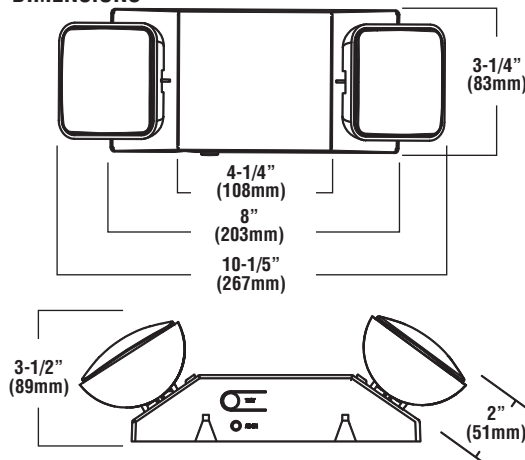
## CODE CONFORMANCE & STANDARDS

- UL 924 N.E.C, N.F.P.A. 101
- ETL Listed 90 min. Run Time / 24 Hr Recharge Time

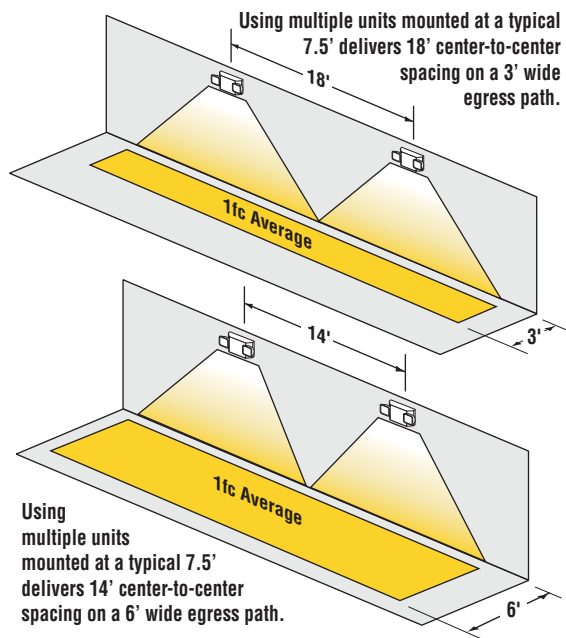
Wire guard available. Order separately.  
See wire guard chart in Accessories section.



## DIMENSIONS



## SPACING GUIDES



## ORDERING INFORMATION

TYPICAL ORDER EXAMPLE: **LTEM WH SD2**

Prefix	Housing	Options
LTEM - (2) 1 Watt LED Heads	WH-White BK-Black	SD2-Self Test / Self Diagnostics R - 2.2 Watts Remote Capacity <sup>1</sup>

1 - For use with single or double TMLED remote lamps only