



KT-LED15T8-48GC-835-D-VDIM

T8 LED LAMP

DESCRIPTION

15W T8 LED | 3500K | >83 CRI |
High-Efficiency | Single-Ended Wiring



LAMP TYPE: Linear
BULB TYPE: T8 LED
BASE TYPE: G13 (Medium Bi-Pin)
WATTAGE: 15W
COLOR TEMPERATURE: 3500K
COLOR RENDERING INDEX (CRI): >83
WARRANTY: 5 Years



PRODUCT FEATURES

- Replacement for conventional F32T8 fluorescent lamp
- Single-ended wiring
- Instant startup
- Frosted lens eliminates pixelation
- Improved lamp durability with shatterproof coated glass
- Integral driver (isolated) eliminates the need for external driver or ballast
- Approximately 40% more energy efficient than standard F32T8 lamps
- ETL Sanitation Listed NSF/ANSI Standard 2— Food equipment
- 0–10V dimming to below 10%
- Environmentally friendly: No mercury used
- Operating temperature: –20°C/–4°F to 45°C/113°F
- 50,000+ hour lifetime
- UL Classified
- DLC Listing; Meets DLC 5.1 requirements

PERFORMANCE SPECIFICATIONS

Catalog Number	Input Voltage	Input Current	Wattage	Color Temperature	Lumen Output	Efficacy	CRI	Power Factor
KT-LED15T8-48GC-835-D-VDIM	120–277V	0.12A @ 120V; 0.05A @ 277V	15W	3500K	2100	140 lm/W	>83	>0.9

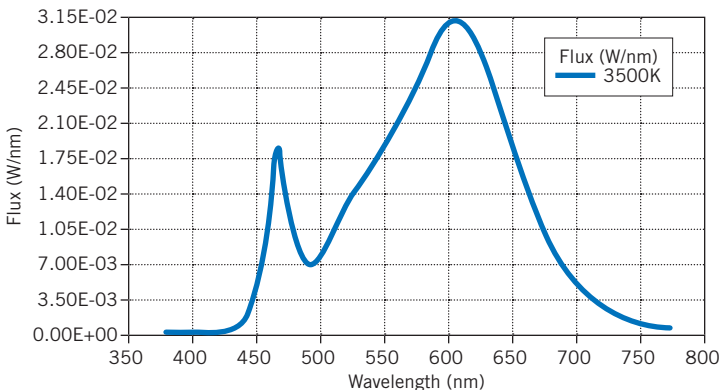
OPERATING SPECIFICATIONS

PHOTOMETRIC CHARACTERISTICS

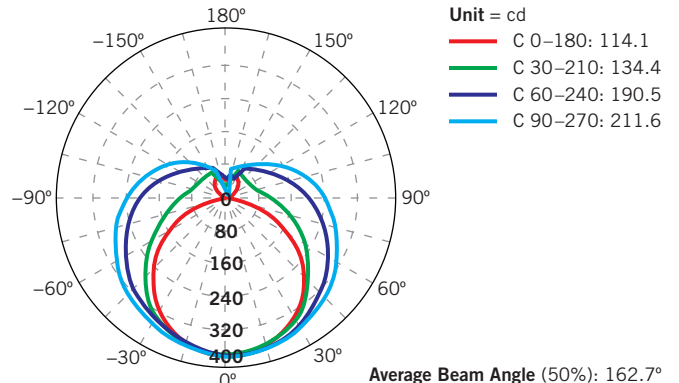
Beam Angle	162.7°	Visible Light Area	325°	Length	48"	Wiring	Single-ended	Rated Life (L70)	50,000 hours
-------------------	--------	---------------------------	------	---------------	-----	---------------	--------------	-------------------------	--------------

MECHANICAL CHARACTERISTICS

SPECTRAL DISTRIBUTION



POLAR CANDELA DISTRIBUTION



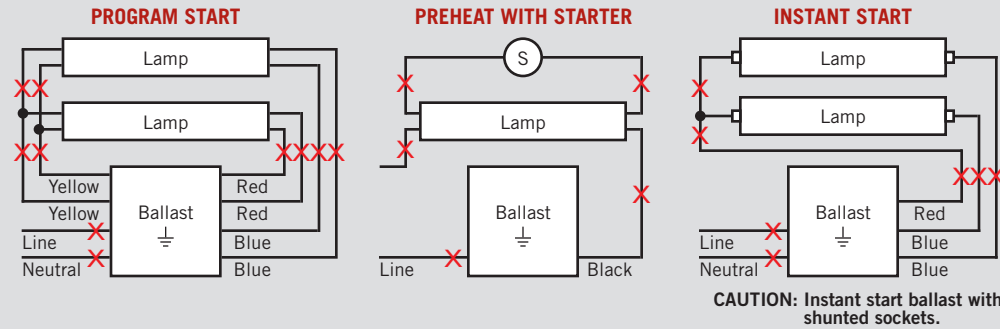
KT-LED15T8-48GC-835-D-VDIM
T8 LED LAMP

WIRING DIAGRAMS

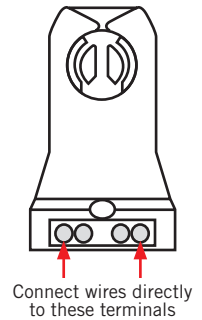
Cut all existing connections to ballast as shown below and remove ballast.

Note: Both single-ended wiring without dimming and single-ended wiring with dimming require non-shunted lampholders.

Typical Ballast Configurations



TYPICAL NON-SHUNTED LAMPHOLDER

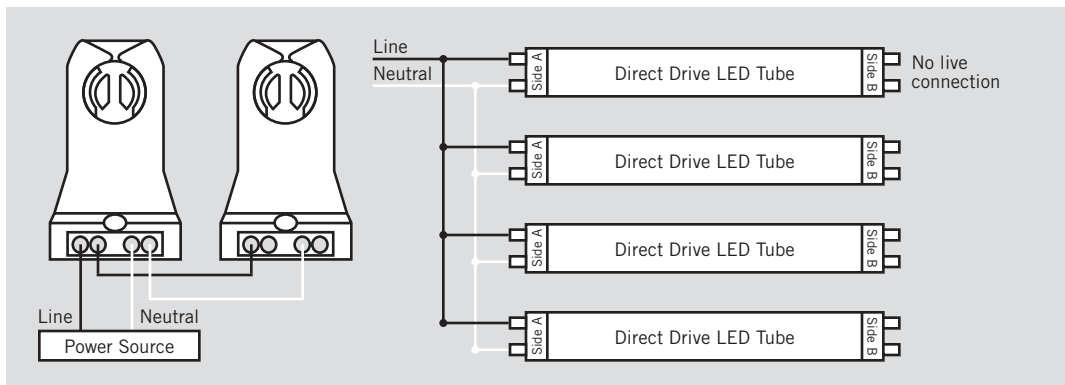


CAUTION: USE ONLY NON-SHUNTED LAMPHOLDERS.

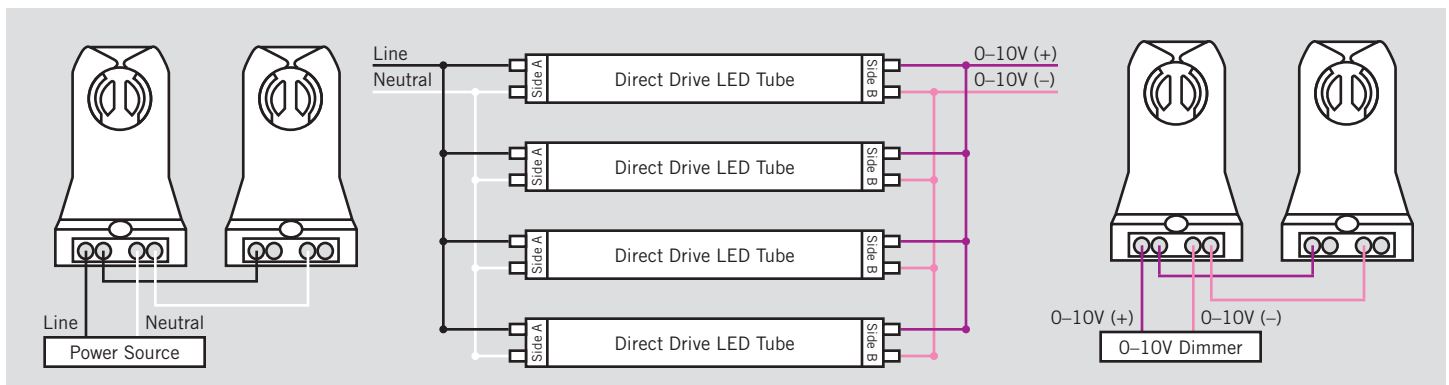
Do not install product in a fixture with shunted lampholders (found in all fixtures using instant start ballasts). If the current lampholders are shunted, remove them and replace them with non-shunted lampholders. Make new connections directly to terminals as indicated in wiring diagrams.

Keystone can provide any style replacement lampholders. Call us at 800-464-2680.

Single-ended wiring without dimming: Re-wire fixture as shown below.



Single-ended wiring with dimming: Re-wire fixture as shown below.



Note: There should not be any exposed wires at the end of installation.

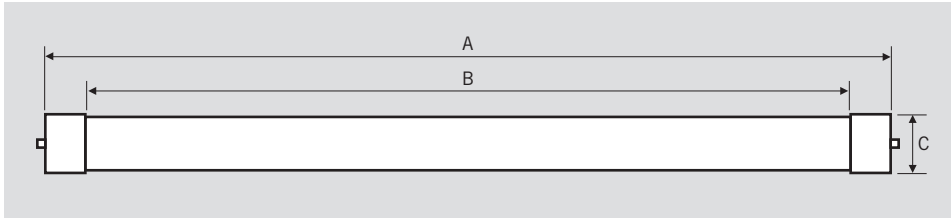


DIRECT DRIVE LED
LINE VOLTAGE T8 TUBES

KT-LED15T8-48GC-835-D-VDIM

T8 LED LAMP

PHYSICAL CHARACTERISTICS



LAMP DIMENSIONS

A (Body Length)	47.15"
B (Illuminated Length)	42.63"
C (Diameter)	1.10"

NOMINAL LENGTH: 48"

BASE TYPE: G13 (Medium Bi-Pin)

ORDERING INFORMATION

ORDER CODE	CARTON QUANTITY	UPC	EASY CODE
KT-LED15T8-48GC-835-D-VDIM	25	843654136639	UMC-33

CATALOG NUMBER BREAKDOWN

KT-LED15T8-48GC-835-D-VDIM

1 2 3 4 5 6 7 8 9 10

- 1 Keystone Technologies
- 2 LED Lamp
- 3 Wattage
- 4 Lamp Type
- 5 Nominal Length (Inches)
- 6 Coated Glass
- 7 >80 CRI
- 8 Color Temperature
- 9 Direct Drive Series
- 10 0-10V Dimming