



# KT-LED15T8-48GC-840-D-VDIM

## T8 LED LAMP

### DESCRIPTION

15W T8 LED | 4000K | >83 CRI |  
High-Efficiency | Single-Ended Wiring



|   |
|---|
| <b>LAMP TYPE:</b> Linear                |
| <b>BULB TYPE:</b> T8 LED                |
| <b>BASE TYPE:</b> G13 (Medium Bi-Pin)   |
| <b>WATTAGE:</b> 15W                     |
| <b>COLOR TEMPERATURE:</b> 4000K         |
| <b>COLOR RENDERING INDEX (CRI):</b> >83 |
| <b>WARRANTY:</b> 5 Years                |



### PRODUCT FEATURES

- Replacement for conventional F32T8 fluorescent lamp
- Single-ended wiring
- Instant startup
- Frosted lens eliminates pixelation
- Improved lamp durability with shatterproof coated glass
- Integral driver (isolated) eliminates the need for external driver or ballast
- Approximately 40% more energy efficient than standard F32T8 lamps
- ETL Sanitation Listed NSF/ANSI Standard 2— Food equipment
- 0–10V dimming to below 10%
- Environmentally friendly: No mercury used
- Operating temperature: -20°C/-4°F to 45°C/113°F
- 50,000+ hour lifetime
- UL Classified
- DLC Listing; Meets DLC 5.1 requirements

### PERFORMANCE SPECIFICATIONS

| Catalog Number             | Input Voltage | Input Current              | Wattage | Color Temperature | Lumen Output | Efficacy | CRI | Power Factor |
|----------------------------|---------------|----------------------------|---------|-------------------|--------------|----------|-----|--------------|
| KT-LED15T8-48GC-840-D-VDIM | 120-277V      | 0.12A @ 120V; 0.05A @ 277V | 15W     | 4000K             | 2200         | 147 lm/W | >83 | >0.9         |

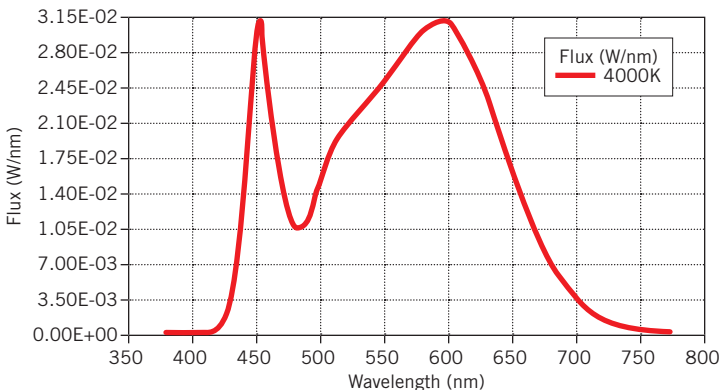
### OPERATING SPECIFICATIONS

#### PHOTOMETRIC CHARACTERISTICS

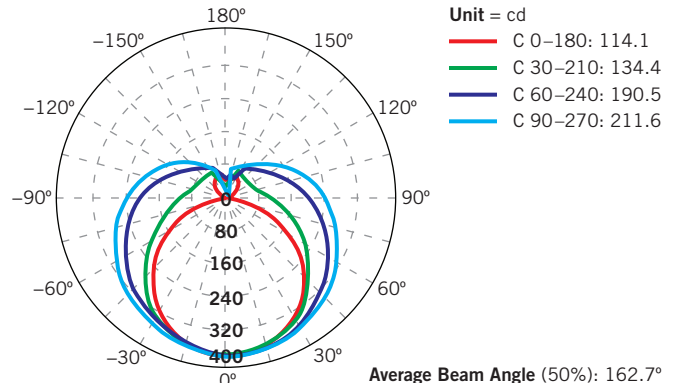
|                   |        |                           |      |               |     |               |              |                         |              |
|-------------------|--------|---------------------------|------|---------------|-----|---------------|--------------|-------------------------|--------------|
| <b>Beam Angle</b> | 162.7° | <b>Visible Light Area</b> | 325° | <b>Length</b> | 48" | <b>Wiring</b> | Single-ended | <b>Rated Life (L70)</b> | 50,000 hours |
|-------------------|--------|---------------------------|------|---------------|-----|---------------|--------------|-------------------------|--------------|

#### MECHANICAL CHARACTERISTICS

#### SPECTRAL DISTRIBUTION



#### POLAR CANDELA DISTRIBUTION



# KT-LED15T8-48GC-840-D-VDIM

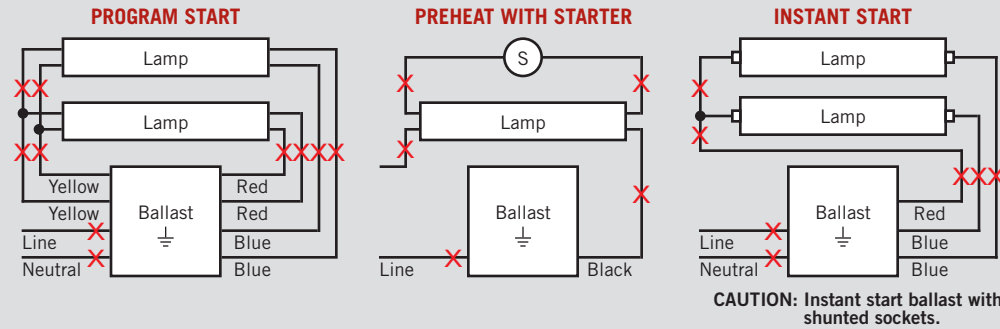
## T8 LED LAMP

### WIRING DIAGRAMS

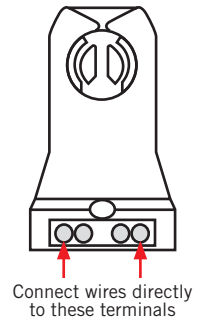
Cut all existing connections to ballast as shown below and remove ballast.

**Note:** Both single-ended wiring without dimming and single-ended wiring with dimming require non-shunted lampholders.

#### Typical Ballast Configurations



#### TYPICAL NON-SHUNTED LAMPHOLDER

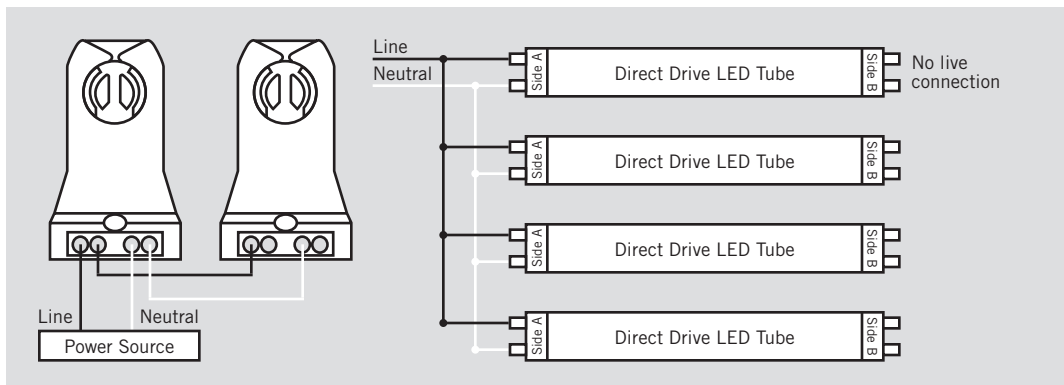


**CAUTION: USE ONLY NON-SHUNTED LAMPHOLDERS.**

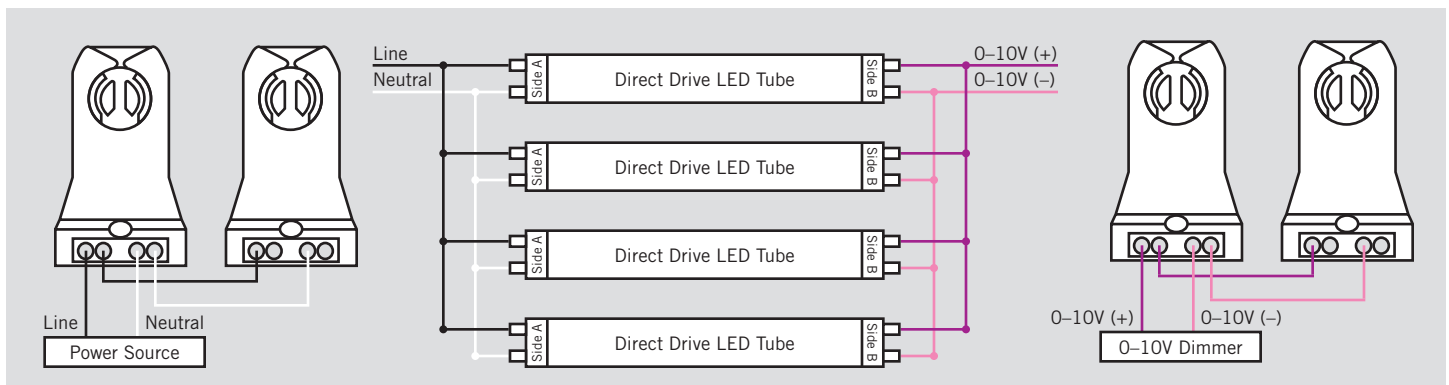
Do not install product in a fixture with shunted lampholders (found in all fixtures using instant start ballasts). If the current lampholders are shunted, remove them and replace them with non-shunted lampholders. Make new connections directly to terminals as indicated in wiring diagrams.

Keystone can provide any style replacement lampholders. Call us at 800-464-2680.

**Single-ended wiring without dimming:** Re-wire fixture as shown below.



**Single-ended wiring with dimming:** Re-wire fixture as shown below.



**Note:** There should not be any exposed wires at the end of installation.

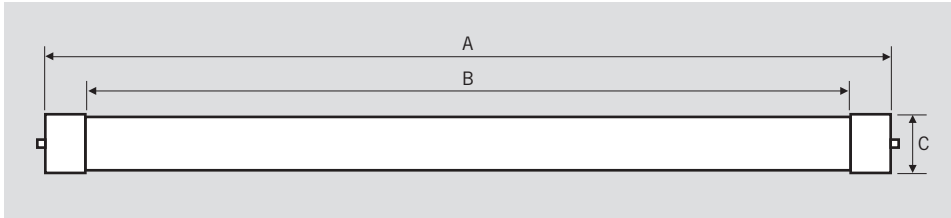


**DIRECT DRIVE LED**  
LINE VOLTAGE T8 TUBES

# KT-LED15T8-48GC-840-D-VDIM

## T8 LED LAMP

### PHYSICAL CHARACTERISTICS



### LAMP DIMENSIONS

|                        |        |
|------------------------|--------|
| A (Body Length)        | 47.15" |
| B (Illuminated Length) | 42.63" |
| C (Diameter)           | 1.10"  |

**NOMINAL LENGTH:** 48"

**BASE TYPE:** G13 (Medium Bi-Pin)

### ORDERING INFORMATION

| ORDER CODE                 | CARTON QUANTITY | UPC          | EASY CODE |
|----------------------------|-----------------|--------------|-----------|
| KT-LED15T8-48GC-840-D-VDIM | 25              | 843654136646 | BIU-43    |

### CATALOG NUMBER BREAKDOWN

# KT-LED15T8-48GC-840-D-VDIM

1 2 3 4 5 6 7 8 9 10

- 1 Keystone Technologies
- 2 LED Lamp
- 3 Wattage
- 4 Lamp Type
- 5 Nominal Length (Inches)
- 6 Coated Glass
- 7 >80 CRI
- 8 Color Temperature
- 9 Direct Drive Series
- 10 0-10V Dimming