



# KT-LED15T8-48GC-850-D-VDIM

## T8 LED LAMP

### DESCRIPTION

15W T8 LED | 5000K | >83 CRI |  
High-Efficiency | Single-Ended Wiring



<b>LAMP TYPE:</b> Linear
<b>BULB TYPE:</b> T8 LED
<b>BASE TYPE:</b> G13 (Medium Bi-Pin)
<b>WATTAGE:</b> 15W
<b>COLOR TEMPERATURE:</b> 5000K
<b>COLOR RENDERING INDEX (CRI):</b> >83
<b>WARRANTY:</b> 5 Years



### PRODUCT FEATURES

- Replacement for conventional F32T8 fluorescent lamp
- Single-ended wiring
- Instant startup
- Frosted lens eliminates pixelation
- Improved lamp durability with shatterproof coated glass
- Integral driver (isolated) eliminates the need for external driver or ballast
- Approximately 40% more energy efficient than standard F32T8 lamps
- ETL Sanitation Listed NSF/ANSI Standard 2— Food equipment
- 0–10V dimming to below 10%
- Environmentally friendly: No mercury used
- Operating temperature: –20°C/–4°F to 45°C/113°F
- 50,000+ hour lifetime
- UL Classified
- DLC Listing; Meets DLC 5.1 requirements

### PERFORMANCE SPECIFICATIONS

Catalog Number	Input Voltage	Input Current	Wattage	Color Temperature	Lumen Output	Efficacy	CRI	Power Factor
KT-LED15T8-48GC-850-D-VDIM	120–277V	0.12A @ 120V; 0.05A @ 277V	15W	5000K	2200	147 lm/W	>83	>0.9

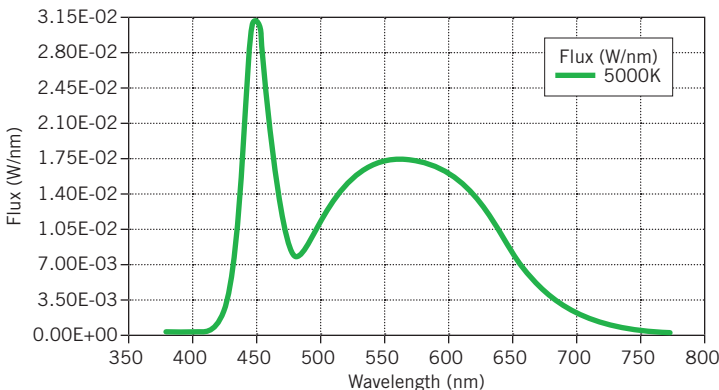
### OPERATING SPECIFICATIONS

#### PHOTOMETRIC CHARACTERISTICS

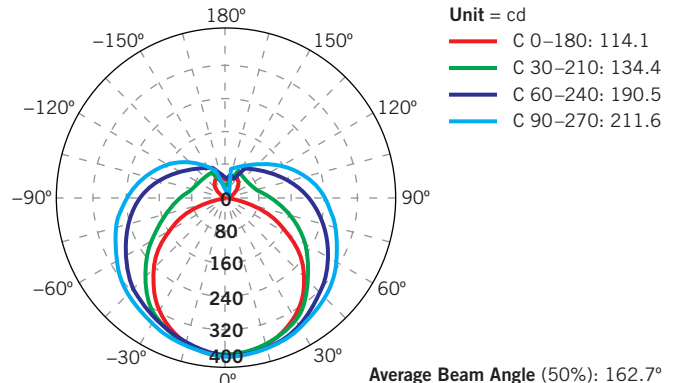
<b>Beam Angle</b>	162.7°	<b>Visible Light Area</b>	325°	<b>Length</b>	48"	<b>Wiring</b>	Single-ended	<b>Rated Life (L70)</b>	50,000 hours
-------------------	--------	---------------------------	------	---------------	-----	---------------	--------------	-------------------------	--------------

#### MECHANICAL CHARACTERISTICS

#### SPECTRAL DISTRIBUTION



#### POLAR CANDELA DISTRIBUTION



# KT-LED15T8-48GC-850-D-VDIM

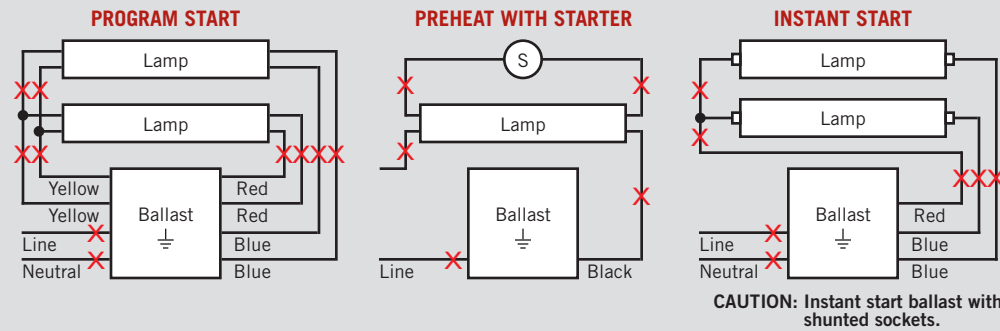
## T8 LED LAMP

### WIRING DIAGRAMS

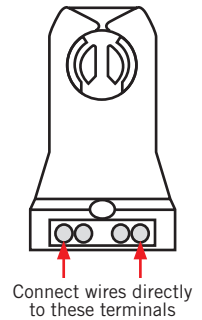
Cut all existing connections to ballast as shown below and remove ballast.

**Note:** Both single-ended wiring without dimming and single-ended wiring with dimming require non-shunted lampholders.

#### Typical Ballast Configurations



#### TYPICAL NON-SHUNTED LAMPHOLDER

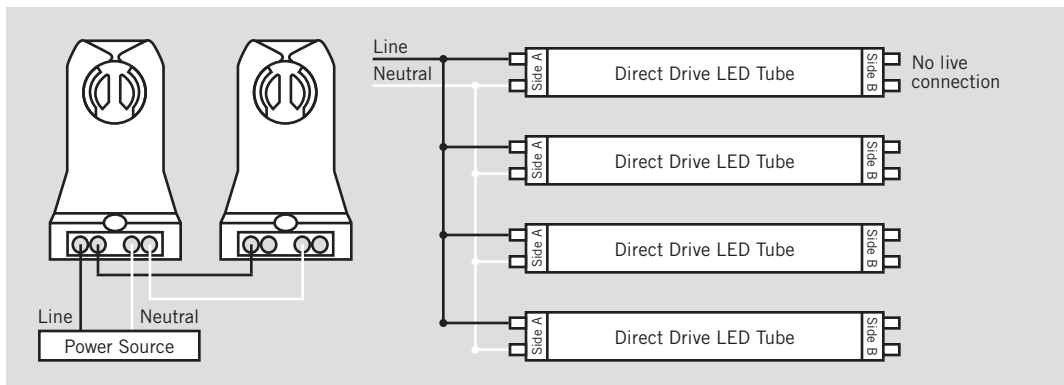


**CAUTION: USE ONLY NON-SHUNTED LAMPHOLDERS.**

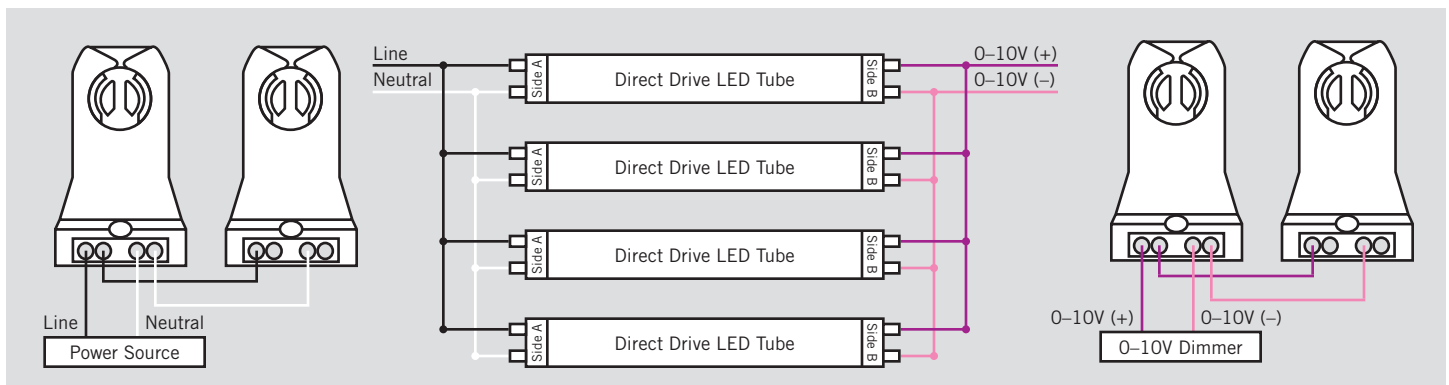
Do not install product in a fixture with shunted lampholders (found in all fixtures using instant start ballasts). If the current lampholders are shunted, remove them and replace them with non-shunted lampholders. Make new connections directly to terminals as indicated in wiring diagrams.

Keystone can provide any style replacement lampholders. Call us at 800-464-2680.

**Single-ended wiring without dimming:** Re-wire fixture as shown below.



**Single-ended wiring with dimming:** Re-wire fixture as shown below.



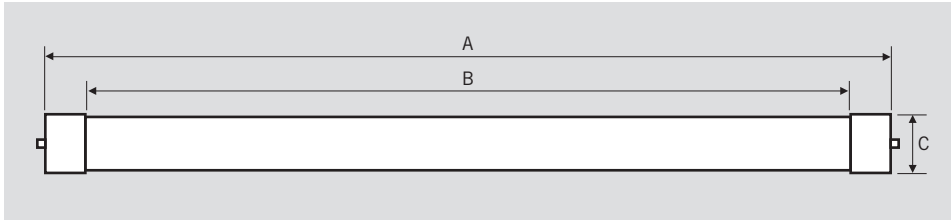
**Note:** There should not be any exposed wires at the end of installation.



# KT-LED15T8-48GC-850-D-VDIM

## T8 LED LAMP

### PHYSICAL CHARACTERISTICS



### LAMP DIMENSIONS

A (Body Length)	47.15"
B (Illuminated Length)	42.63"
C (Diameter)	1.10"

**NOMINAL LENGTH:** 48"

**BASE TYPE:** G13 (Medium Bi-Pin)

### ORDERING INFORMATION

ORDER CODE	CARTON QUANTITY	UPC	EASY CODE
KT-LED15T8-48GC-850-D-VDIM	25	843654136653	XKV-84

### CATALOG NUMBER BREAKDOWN

# KT-LED15T8-48GC-850-D-VDIM

1 2 3 4 5 6 7 8 9 10

- 1 Keystone Technologies
- 2 LED Lamp
- 3 Wattage
- 4 Lamp Type
- 5 Nominal Length (Inches)
- 6 Coated Glass
- 7 >80 CRI
- 8 Color Temperature
- 9 Direct Drive Series
- 10 0-10V Dimming