

# VG Series

LED Vehicle Garage Luminaire

Rev. Date: V8 04/13/2021

## Product Description

Cree Lighting's VG Series parking garage luminaires are designed to deliver optimal, low glare illumination by intelligently combining an in-house designed optical system consisting of indirect view LEDs, a highly efficient internal reflector and a precisely designed optical lens. Architectural design, quick and easy installation and low total cost of ownership makes the VG Series ideal for both new and existing parking garages.

**Applications:** Parking structures

## Performance Summary

<b>Initial Delivered Lumens:</b> 3,770-5,700 lumens
<b>Input Power:</b> 33 or 54 watts
<b>Efficacy:</b> Up to 114 LPW
Assembled in the U.S.A. of U.S. and imported parts
<b>CRI:</b> Minimum 70 CRI
<b>CCT:</b> 3000K, 4000K, 5700K
<b>Limited Warranty*:</b> 10 years on luminaire/10 years on Colorfast DeltaGuard® finish

\*See <http://creelighting.com/warranty> for warranty terms

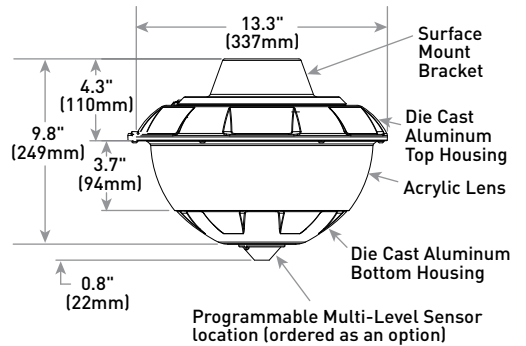
## Accessories

Field-Installed		
<b>Bird Shroud</b> VG-BS*	<b>Perimeter Shroud</b> VG-PSSV	<b>Hand-Held Remote</b> XA-SENSREM - For successful implementation of the programmable multi-level option, a minimum of one hand-held remote is required

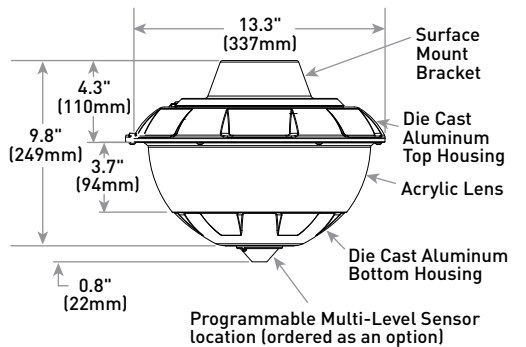
\* Must specify finish color. Not available with JB mount



### JB Mount



### DM Mount



Weight
14.2 lbs. (6.4kg)

## Ordering Information

Example: VG-B-DM-5M-4L-40K-UL-BK

VG	B							
Product	Version	Mounting	Optic	Lumen Package	CCT	Voltage	Color Options	Options
VG Vehicle Garage Series	B	DM Surface Direct JB J-Box PD Pendant	5M Type V Medium 5W Type V Wide	4L 3,770 Lumens 6L 5,700 Lumens	30K 3000K 40K 4000K 57K 5700K	UL Universal 120-277V 34 347V 48 480V	BK Black BZ Bronze SV Silver WH White	PML Programmable Multi-Level - Refer to <a href="#">PML spec sheet</a> for details



US: [creelighting.com](http://creelighting.com) (800) 236-6800

Canada: [creelighting-canada.com](http://creelighting-canada.com) (800) 473-1234

**CREE** ⇄ LIGHTING®

## Product Specifications

### OPTICAL SYSTEM

- Indirect LED array eliminates direct view of highly efficient LEDs
- Precision engineered optical lens provides maximum low glare light distribution
- Internal white or specular optical reflectors provides choices of Type V Medium or Type V Wide distribution
- Comprehensive optical system provides consistent uniformity
- 20% uplight illumination performance

### CONSTRUCTION & MATERIALS

- Direct mount provided with factory-installed 3' (0.9m) power cord; plug by others
- Direct mount provided with mounting bracket that secures to any suitable surface appropriate for supporting luminaire
- J-Box mount provided with mounting bracket designed to mount directly over existing 4" (102mm) square, rectangular, or octagonal junction boxes only
- Pendant mount includes 66" (1,676mm) wires out of luminaire and is intended to be mounted by 3/4" IP pendant (by others)
- Low profile, lightweight design provides ease of installation
- Constructed of rugged die cast aluminum with integral, weathertight LED driver compartment and high-performance heat sink
- Exclusive Colorfast DeltaGuard® finish features an E-Coat epoxy primer with an ultra-durable powder topcoat providing excellent resistance to corrosion, ultraviolet degradation and abrasion. Black, bronze, silver, and white are available
- **Weight:** See Weight Charts on pages 1 and 2

### ELECTRICAL SYSTEM

- **Input Voltage:** 120-277V, 347V or 480V, 50/60Hz
- **Power Factor:** > 0.9 at full load
- **Total Harmonic Distortion:** < 20% at full load
- **Operating Temperature Range:** -40°C - +40°C (-40°F - +104°F)
- Integral 6kV surge suppression protection standard
- When code dictates fusing, a slow blow fuse or type C/D breaker should be used to address inrush current
- Designed with 0-10V dimming capabilities. Controls by others
- Refer to [Dimming](#) spec sheet for details
- **10V Source Current:** 0.15mA

### REGULATORY & VOLUNTARY QUALIFICATIONS

- cULus Listed
- Suitable for wet locations
- Meets FCC Part 15, Subpart B, Class A limits for conducted and radiated emissions
- Enclosure rated IP66 per IEC 60529 when ordered with JB or PD mounts
- ANSI C136.2 6kV surge protection, tested in accordance with IEEE/ANSI C62.41.2
- Meets Buy American requirements within ARRA
- RoHS compliant. Consult factory for additional details
- DLC qualified SKUs available. Please refer to <https://www.designlights.org/search/> for most current information
- **CA RESIDENTS WARNING:** Cancer and Reproductive Harm – [www.p65warnings.ca.gov](http://www.p65warnings.ca.gov)

Electrical Data*								
Lumen Package	System Watts 120-277V, 347V, 480V	Efficacy (LPW)	Total Current (A)					
			120V	208V	240V	277V	347V	480V
4L	33	114	0.27	0.16	0.14	0.12	0.10	0.07
6L	54	106	0.45	0.26	0.22	0.19	0.17	0.12

\* Electrical data at 25°C (77°F). Actual wattage may differ by +/- 10% when operating between 120-277V, 347V, 480V +/- 10%

VG Series Ambient Adjusted Lumen Maintenance <sup>1</sup>					
Ambient	Initial LMF	25K hr Reported <sup>2</sup> LMF	50K hr Reported <sup>2</sup> LMF	75K hr Estimated <sup>3</sup> LMF	100K hr Estimated <sup>3</sup> LMF
0°C (32°F)	1.05	1.03	1.03	1.03	1.03
5°C (41°F)	1.04	1.02	1.02	1.02	1.02
10°C (50°F)	1.03	1.01	1.01	1.01	1.01
15°C (59°F)	1.02	1.00	1.00	1.00	1.00
20°C (68°F)	1.01	0.99	0.99	0.99	0.99
25°C (77°F)	1.00	0.98	0.98	0.98	0.98
30°C (86°F)	0.99	0.97	0.97	0.97	0.97
35°C (95°F)	0.98	0.96	0.96	0.96	0.96
40°C (104°F)	0.97	0.95	0.95	0.95	0.95

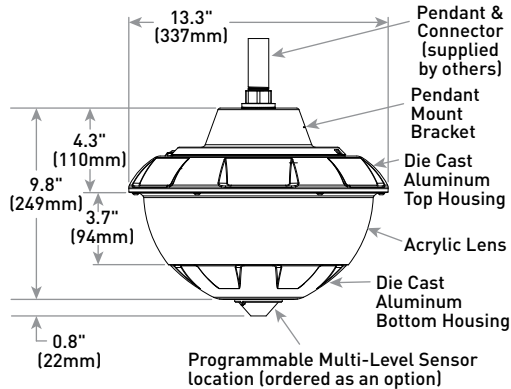
<sup>1</sup> Lumen maintenance values at 25°C (77°F) are calculated per IES TM-21 based on IES LM-80 report data for the LED package and in-situ luminaire testing. Luminaire ambient temperature factors (LATF) have been applied to all lumen maintenance factors. Please refer to the [Temperature Zone Reference Document](#) for outdoor average nighttime ambient conditions.

<sup>2</sup> In accordance with IES TM-21, Reported values represent interpolated values based on time durations that are up to 6x the tested duration in the IES LM-80 report for the LED.

<sup>3</sup> Estimated values are calculated and represent time durations that exceed the 6x test duration of the LED.

# VG Series LED Vehicle Garage Luminaire

## PD Mount

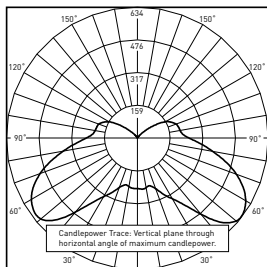


Weight
14.2 lbs. (6.4kg)

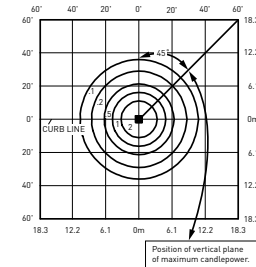
## Photometry

All published luminaire photometric testing performed to IES LM-79-08 standards. To obtain an IES file specific to your project consult: <http://creelighting.com/products/outdoor/parking-structure/vg-series>

### 5M



CESTL Test Report #: PL12403-001A  
 VG-B-\*\*-5M-4L-30K-UL  
 Initial Delivered Lumens: 3,599

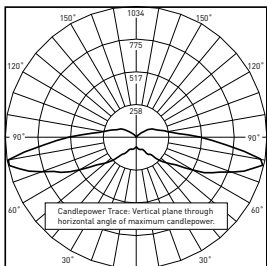


VG-B-\*\*-5M-4L-40K-UL  
 Mounting Height: 10' (3.0m) A.F.G.  
 Initial Delivered Lumens: 3,770  
 Initial FC at grade

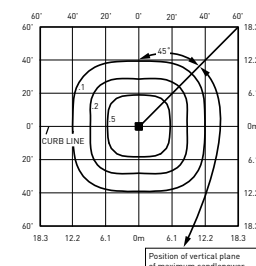
Type V Medium Distribution		
Lumen Package	3000K/4000K/5700K	
	Initial Delivered Lumens*	BUG Ratings** Per TM-15-11
4L	3,770	B2 U4 G2
6L	5,700	B2 U4 G3

\* Initial delivered lumens at 25°C (77°F). Actual production yield may vary between -10 and +10% of initial delivered lumens  
 \*\* For more information on the IES BUG (Backlight-Uplight-Glare) Rating visit: <https://www.ies.org/wp-content/uploads/2017/03/TM-15-11BUGRatingsAddendum.pdf>

### 5W



CESTL Test Report #: PL12404-001A  
 VG-B-\*\*-5W-4L-30K-UL  
 Initial Delivered Lumens: 3,632



VG-B-\*\*-5W-4L-40K-UL  
 Mounting Height: 10' (3.0m) A.F.G.  
 Initial Delivered Lumens: 3,770  
 Initial FC at grade

Type V Wide Distribution		
Lumen Package	3000K/4000K/5700K	
	Initial Delivered Lumens*	BUG Ratings** Per TM-15-11
4L	3,770	B2 U3 G3
6L	5,700	B3 U4 G4

\* Initial delivered lumens at 25°C (77°F). Actual production yield may vary between -10 and +10% of initial delivered lumens  
 \*\* For more information on the IES BUG (Backlight-Uplight-Glare) Rating visit: <https://www.ies.org/wp-content/uploads/2017/03/TM-15-11BUGRatingsAddendum.pdf>