



# KT-LED60HID-V-E26-840-D

## HID REPLACEMENT LED LAMP

### DESCRIPTION

60W HID Replacement LED Lamp | 4000K | >80 CRI | Vertical Light Direction



<b>LAMP TYPE:</b> HID Replacement LED
<b>BASE TYPE:</b> E26 (Medium)
<b>WATTAGE:</b> 60W
<b>COLOR TEMPERATURE:</b> 4000K
<b>METAL HALIDE EQUIVALENT:</b> 200W
<b>COLOR RENDERING INDEX (CRI):</b> >80
<b>WARRANTY:</b> 5 Years

### PRODUCT FEATURES

- Replacement for conventional metal halide lamp
- Non-dimmable; Do not dim
- 50,000+ hour lifetime
- Environmentally friendly: No mercury used
- Instant startup
- UL listed
- Delivers approximately 5% uplight
- Suitable for use in fully enclosed fixture
- Integral driver, eliminates the need for external driver or ballast; Includes 4kV surge protection
- Operating temperature range: -29°C/-20°F to 60°C/140°F
- Lamp top has a low-voltage AUX port for lamp level sensor controls

### OPERATING SPECIFICATIONS

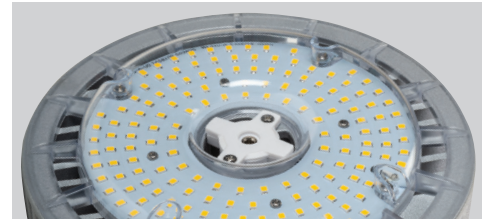
#### ELECTRICAL CHARACTERISTICS

Input Voltage	Power Consumption	Power Factor	Input Current
120-277Vac	60W	>0.9	0.50A @ 120V 0.22A @ 277V

#### PHOTOMETRIC CHARACTERISTICS

Color Temperature (CCT)	4000K
Luminous Flux	7850 lm
Color Rendering Index (CRI)	>80
Efficacy	131 lm/W
Visible Light Area	180°

#### SMART PORT LED COMPATIBLE

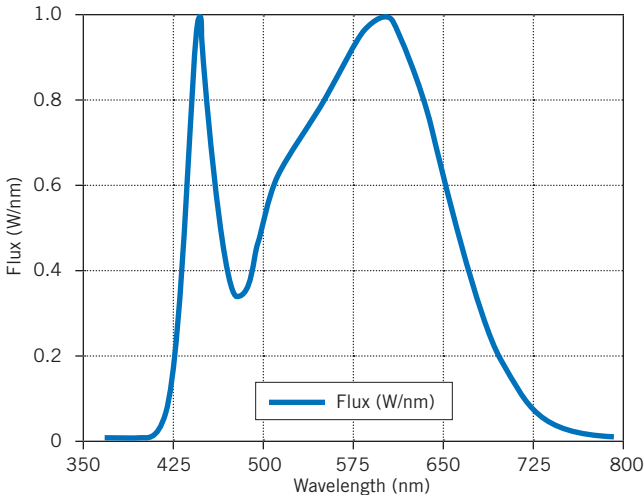


On the top of the lamp is a low-voltage AUX port for Smart Port LED sensors. See *Accessories* for available sensor options.

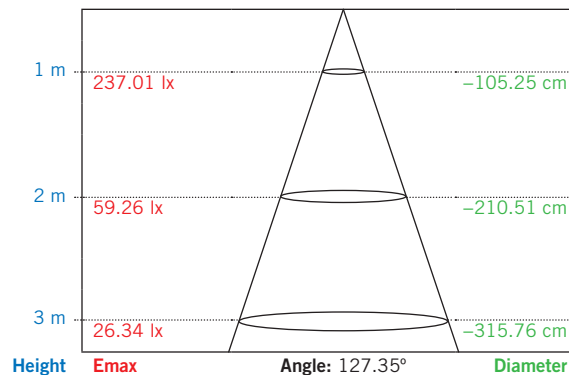
#### RATED LIFE

L70 (Hours)	50,000
-------------	--------

#### SPECTRAL DISTRIBUTION



#### LUX DISTANCE CURVE



Note: The curves indicate the illuminated area and the average illumination when the luminaire is at a different distance.



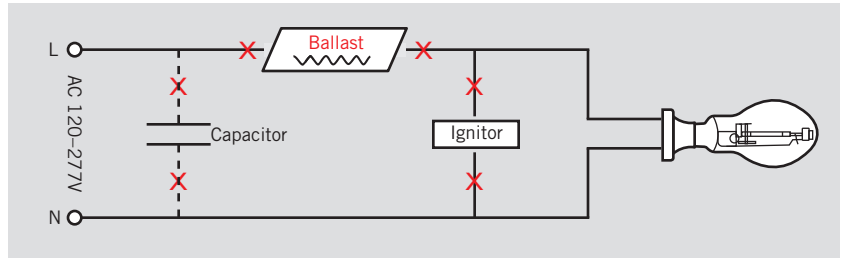
# KT-LED60HID-V-E26-840-D

## HID REPLACEMENT LED LAMP

### WIRING INSTRUCTIONS

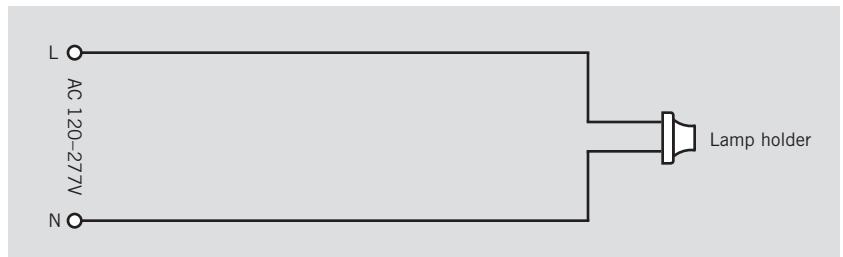
#### STEP 1

**Disconnect power.** Disconnect and remove existing ballast, capacitor, and/or ignitor (where applicable) from fixture.



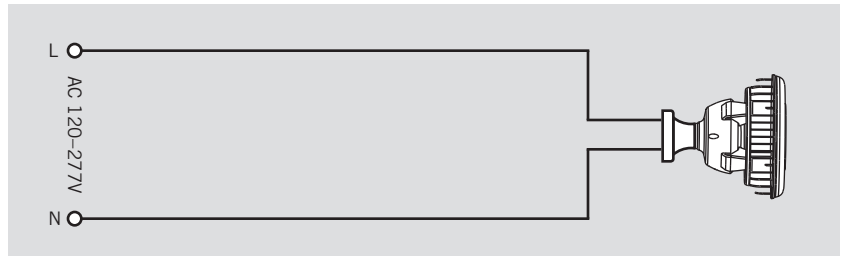
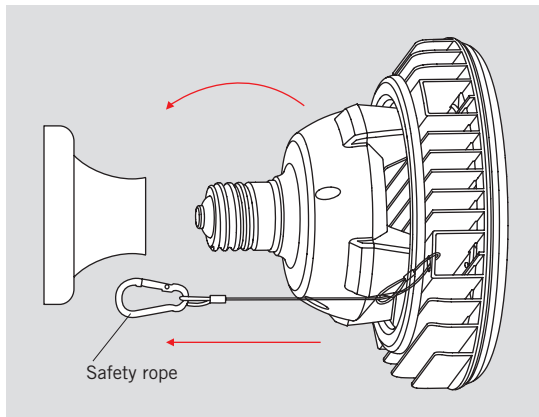
#### STEP 2

Rewire for line voltage to the lamp socket.



#### STEP 3

Install new LED replacement lamp. Ensure lamp is operating properly when power is turned on.

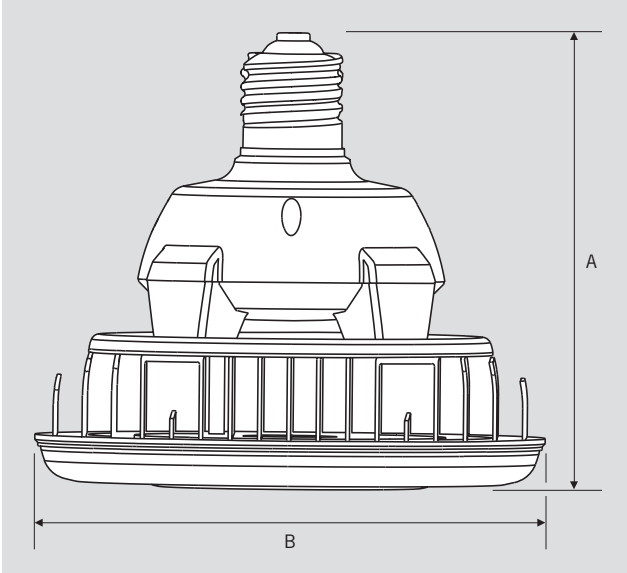




# KT-LED60HID-V-E26-840-D

## HID REPLACEMENT LED LAMP

### PHYSICAL CHARACTERISTICS



#### LAMP DIMENSIONS

A (Body Length)	6.14"
B (Diameter)	6.88"

BASE TYPE: E26 (Medium)

### ACCESSORIES (SOLD SEPARATELY)

Catalog Number	Description
KTS-MW1-12V-AUX	SmartPort LED Microwave Occupancy sensor: On/Off with adjustable standby dimming level; 12V input
KTS-PIR1-12V-AUX	SmartPort LED PIR Occupancy sensor: On/Off with adjustable standby dimming level; 12V input
KTS-PS1-12V-AUX	SmartPort LED Photocell: On/Off with adjustable daylight threshold and timing; 12V input

### ORDERING INFORMATION

ORDER CODE	PACKAGING STYLE	PACK QTY.	ITEM STATUS
KT-LED60HID-V-E26-840-D-DP	Distributor Pack (Individual Cartons)	4	Quick Ship

### CATALOG NUMBER BREAKDOWN

# KT-LED60HID-V-E26-840-D

1 2 3 4 5 6 7 8 9

- 1 Keystone Technologies
- 2 LED Lamp
- 3 Wattage
- 4 Lamp Type
- 5 Vertical Orientation
- 6 Base Type
- 7 800 Series
- 8 Color Temperature
- 9 Direct-Drive Series