

## ProSeries™ “Junior” LED Utility Luminaires

### Product Data Sheet

Our ProSeries Junior is designed specifically for retrofitting and upgrading “jelly jar” fixtures for utility lighting applications — swine, poultry, dairy cattle, fish, and other food and agricultural products. This 14-Watt LED Utility Luminaire Series provides high lumen output, maximum downward lighting, dramatically reduces energy consumption, and lowers your electrical expenses.

Upgrading your “jelly jar” light fixtures using our ProSeries Junior LED Utility Luminaire Series will lower your maintenance cost and gives you a better performing lighting system compared to outdated incandescent or compact fluorescent lamps, or an A19 LED lamp that is not intended or rated for enclosed applications.

### LED UTILITY LAMP

The ProSeries Junior LED Utility Lamp (P/N: 15980) is a direct replacement for incandescent or CFL lamps currently used in “jelly jar” fixtures. The LED lamp upgrades them into energy efficient and cost-effective LED luminaires. It adapts quickly and easily to most jelly jar fixtures on the market.

### LED UTILITY LUMINAIRE UPGRADE

Our ProSeries Junior Utility Lamp Upgrade (P/N: 15981) is a direct “hard-wire” replacement for light fixture bases that have been in service longer than five (5) years. Over time, deterioration from solid and hazardous waste pollution, moisture, UV emissions, and other environmental causes can start to occur.

### LED UTILITY LUMINAIRE

As a complete luminaire, our polycarbonate and lightweight ProSeries Junior LED Utility Luminaire (P/N: 15982) is highly desirable for animal confinement or horticultural farming operations, or for expanding and modifying an existing operation. This luminaire includes an 18 cubic inch junction box with 1/2” and 3/4” knockouts.

### Benefits

- Suitable for wet and damp locations.
- Use for applications that require wash-down.
- No glass and no lamp breakage.
- ProSeries Junior LED Utility Lamp (P/N: 15980) requires no rewiring; Includes E26 socket connector for direct, fast, and easy installation.
- Low energy consumption: Save 90% vs. incandescent lamps and 55% vs. CFLs.
- Integral heat sink prevents dust and insect accumulation.
- Return on investment in 12 months or less.

### Features

- Polycarbonate, lightweight construction will not rust or corrode.
- Uniformly distributes a 120° spread of glare-free lumen diffused light.
- Instant start, no flickering.
- Mercury free; no UV emissions, protects the environment.
- LED Engine provides consistent lumen output over changing voltage conditions.
- Includes luminaire disconnect for safe servicing without exposure to electrical shock.
- ProSeries Junior LED Luminaire (P/N: 15982) includes 18-cubic inch junction box with 1/2” and 3/4” knockout combo.



ProSeries Junior LED Utility Lamp



ProSeries Junior LED Luminaire Upgrade



ProSeries Junior LED Luminaire



## ProSeries Junior LED Utility Luminaires Specifications

<b>Output Lumens</b>	1440 Lumens	<b>Operating Temperature</b>	-4°F (20°C) to 113°F (45°C)
<b>Power Consumption</b>	14-Watts	<b>Applications</b>	<ul style="list-style-type: none"> <li>■ Dry, Damp, or Wet Locations</li> <li>■ Ceiling Mount Only</li> </ul>
<b>Amperes</b>	.11 Amps	<b>Certifications</b>	ETL and Energy Star Certified
<b>Operating Voltage</b>	120-277 Volts via Built-in Constant Current Drive	<b>Surge Protection</b>	Built-in Protection up to 2,400 Volts
<b>Power Factor</b>	0.95 Minimum	<b>Dimmable</b>	No
<b>Total Harmonic Distortion</b>	<20%	<b>Lens Options</b>	White only
<b>Correlated Color Temperature (CCT)</b>	5000K	<b>Warranty</b>	5 Years at L <sub>70</sub>
<b>Color Rendering Index (CRI)</b>	>82	<b>Construction</b>	Plastic only
<b>Efficacy</b>	103 lm/W	<b>Wire Harness Quick Connect</b>	2-Wire (Black, White)

### PROSERIES JUNIOR: DETAILS



**P/N 15980:** Includes 14-Watt LED Lamp with Internal Heat Sink and E26 socket adapter

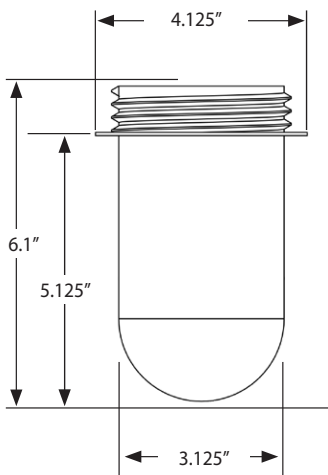


**P/N 15981:** Includes 14-Watt LED Lamp Upgrade with Internal Heat Sink, Silicone Gasket, and Junction Box Adapter

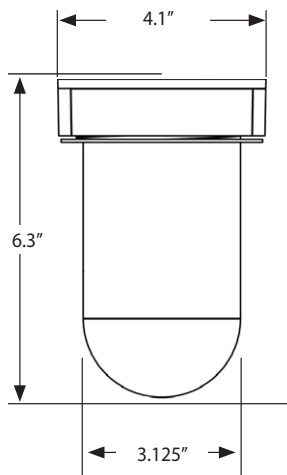


**P/N 15982:** Includes 14-Watt LED Luminaire with Internal Heat Sink and 18 Cubic Inch Junction Box

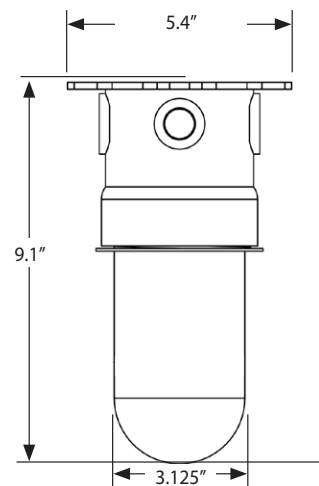
### PROSERIES JUNIOR: DIMENSIONAL REFERENCES



**P/N 15980:** ProSeries Junior LED Utility Lamp



**P/N 15981:** ProSeries Junior LED Utility Luminaire Upgrade



**P/N 15982:** ProSeries Junior LED Utility Luminaire

## PROSERIES JUNIOR UTILITY LAMP (P/N: 15980): RETROFIT CAPABILITIES



**Before**



Remove the globe from the luminaire base. Screw the connector into the socket base. Connect the luminaire disconnect.



**After**

## PROSERIES JUNIOR UTILITY LUMINAIRE UPGRADE (P/N: 15981): RETROFIT CAPABILITIES



**P/N 15981:** Shown with 12 Cubic Inch Junction Box:

- P/N 15045 (.5" and .75" Knockouts)
- P/N 15046 (.5" Knockouts)
- P/N 15047 (.75" Knockouts)



**P/N 15981:** Shown with 19 Cubic Inch Junction Box:

- P/N 15049 (.75" Knockouts)



**P/N 15981:** Shown with 12 Cubic Inch SPIDERBOX:

- P/N 15246 (.5" Knockouts)
- P/N 15247 (.75" Knockouts)

## PROSERIES JUNIOR: PART NUMBERS

Catalog Number	UPC Number	Description	Order Unit	Unit Qty	Unit Pkg	Units/Case	TL Case Qty	Min Order Qty	MM Req	Ship Wt (Lbs)
<b>ProSeries Junior LED Utility Luminaires</b>										
15980	15980	ProSeries Junior LED Utility Lamp, 14-Watt LED Utility Lamp with Internal Heat Sink	EA	1	BX	12	12	1	No	1
15980B	15983	ProSeries Junior LED Utility Lamp (BULK), 14-Watt LED Utility Lamp with Internal Heat Sink	EA	1	BN	12	12	12	Yes	13
15981	15981	ProSeries Junior LED Utility Luminaire Upgrade, 14-Watt LED Utility Lamp with Internal Heat Sink, Silicone Gasket, and Junction Box Adapter	EA	1	BX	12	12	1	No	1
15981B	15984	ProSeries Junior LED Utility Luminaire Upgrade (BULK), 14-Watt LED Utility Lamp with Internal Heat Sink, Silicone Gasket, and Junction Box Adapter	EA	1	BN	12	12	12	Yes	13
15982	15982	ProSeries Junior LED Utility Luminaire, 14-Watt LED Luminaire with Internal Heat Sink and 18 Cubic Inch Junction Box; 1/2" and 3/4" Knockout Combo	EA	1	BX	12	12	1	No	2
15982B	15985	ProSeries Junior LED Utility Luminaire (BULK), 14-Watt LED Luminaire with Internal Heat Sink and 18 Cubic Inch Junction Box; 1/2" and 3/4" Knockout Combo	EA	1	BN	12	12	12	Yes	15
<b>Standard Non-Metallic Junction Boxes</b>										
15045	15045	12 Cubic Inch, 1/2" and 3/4" Knockout Combo	EA	1	BX	12	12	12	Yes	6
15046	15046	12 Cubic Inch, 1/2" Knockouts	EA	1	BX	12	12	12	Yes	6
15047	15047	12 Cubic Inch, 3/4" Knockouts	EA	1	BX	12	12	12	Yes	6
15049	15049	19 Cubic Inch, 3/4" Knockouts	EA	1	BX	12	12	12	Yes	6
<b>SPIDERBOX Non-Metallic Junction Boxes</b>										
15246	15246	12 Cubic Inch, 1/2" Knockouts	EA	1	BX	12	12	12	Yes	6
15247	15247	12 Cubic Inch, 3/4" Knockouts	EA	1	BX	12	12	12	No	6
15248	15248	12 Cubic Inch, Two (2) Open Hubs and Two (2) Knockout Hubs	EA	1	BX	24	24	24	Yes	6

### UNITS OF MEASURE KEY

**Order Unit:** The Unit to be ordered; **Order Qty:** Number of pieces in each Unit; **Unit Pkg:** Packaging types - BG (Bag), BX (Box), BRL (Barrel); **Units/Case:** Unit packages contained in the Case; **TL Case Qty:** The total number of items in each Master Case; **Min Order Qty:** The smallest Unit that can be ordered; **MM Req:** Must order multiples of the Unit in the stated quantities; **Ship Wt (Lbs):** Total weight of the units per Carton

E02-150-021 B1 (08/21 - BB)  
© 2021 Engineered Products Company. All Rights Reserved.

