

TF TROFFER (CCT3)

PROJECT: _____

SCHEDULE: _____ DATE: _____

PREPARE BY: _____

NOTES: _____

DESCRIPTION

naturaLED® Troffer is the perfect solution for your interior lighting needs. This DLC Premium Troffer is available in 2'x2' and 2'x4' dimensions for TBar/Grid ceilings. Available options include Emergency LED Driver and Microwave Motion Sensor. This is a lightweight fixture with a bug-free lens design and produces up to 6,350 lumens with excellent light distribution and color consistency.



APPLICATIONS

Conference, Meeting Rooms, Factories, Offices, Schools, Hospitals



**Rated Life Hours 50,000
Warranty 5 Years**

FEATURES

- DLC Standard
- Damp Location
- ETL Listed
- Easy installation for retrofit replacement
- Available in 2' or 4' length
- Material: Steel and PC lens
- Input line Voltage: 120-277V
- Dimmable: 0-10V
- Power Factor: >0.9
- CRI: 80
- Surge Protection: 2KV
- Beam Angle: 115°
- Color Temp: 3CCT (3500K, 4000K, 5000K)
- Operating temperature: - 4°F - 104°F
- Optional for Purchase: Emergency Driver, Motion Sensor, Flange Mount Kit

ACCESSORIES

	Air Craft Cable
	Emergency Driver Kit
	Microwave Motion Sensor Kit
	Flange Mount Kit

SAMPLE NUMBER FXTF36SW/2X2/8CCT3

FAMILY	SERIES	WATTAGE	SELECTABLE	LENGTH	CRI	COLOR TEMP
FX fixture	TF troffer	36 36 watt	SW 3 Selectable Wattage	2x2 2-ft x 2-ft	8 CRI 80	CCT3 Selectable Color Temp 3500K 4000K 5000K



*P= Premium DLC / *S = Standard DLC

ORDERING

Watts (W)	Ordering Code	Description	CCT (K)	Lumens (Lm)	Size	Equiv. Wattage (W)	Beam Angle	Damp Location	DLC (S/P)
20	9559	FXTF36SW/2X2/8CCT3	3CCT	2,800	2'x2'	60-70W	115°	•	S
30			(35/40/50K)	4,100					
36				4,850					
30	9560	FXTF45SW/2X4/8CCT3	3CCT	4,350	2'x4'	120-130W	115°	•	S
40			(35/40/50K)	5,700					
45				6,350					

ACCESSORIES (Ordered Separately)



Air Craft Cable
P10147 MT-ACC-4FT
(4-ft cable)

P10144 MT-ACC-10FT
(10-ft cable)



Flange Mounting Kit
P10228 MT-2x2FMBOX
(2' x 2' Flange Mount Kit)

P10229 MT-2x4FMBOX
(2' x 4' Flange Mount Kit)



Microwave Motion Sensor Kit
K234427 FXTFSW/MC605-MT
(Microwave Motion Sensor with mounting plate)



Emergency Driver Kit
K7336427 FXTFSW-BAEM-MT
(Emergency Driver with mounting plate)



Ceiling Mount Kit (3.0" Height)
P10417 MT-2X2BOX-3.0in
(2'x2' Panel Surface Mount Kit-3.0" height)



P10418 MT-2X4BOX-3.0in
(2'x4' Panel Surface Mount Kit-3.0" height)



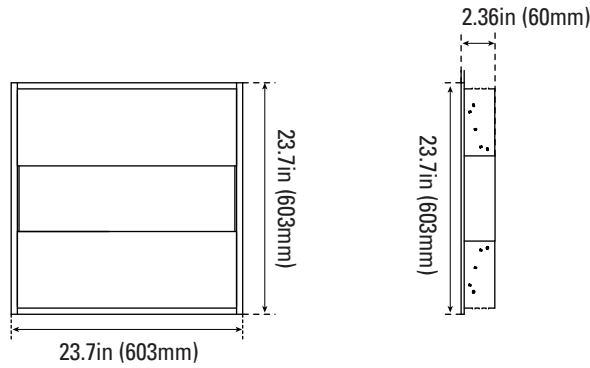
Ceiling Mount Kit
P10335 MT-2X2BOX-4.5in
(2'x2' Panel Surface Mount Kit)



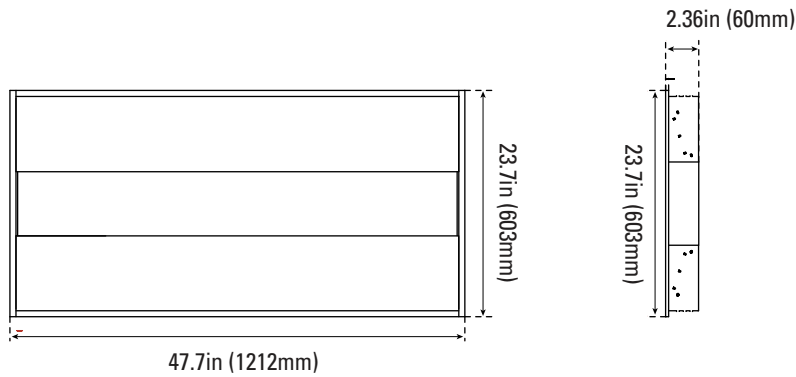
P10336 MT-2X4BOX-4.5in
(2'x4' Panel Surface Mount Kit)

DIMENSIONS

2'x2' - 36 Watt
8.00-lbs



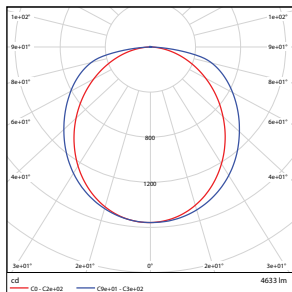
2'x4' - 45 Watt
15.00-lbs



PHOTOMETRICS CHART

PACKAGE

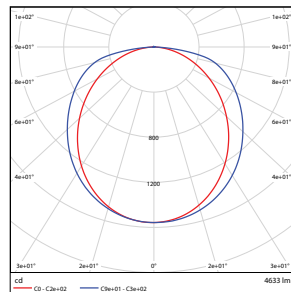
36 Watt
DLC Standard



	Center Beam fc	Beam Width
3.2R	143 fc	8.3 ft 13.2 ft
6.7R	34.7 fc	16.9 ft 26.8 ft
10.0R	15.6 fc	25.2 ft 40.0 ft
13.3R	8.80 fc	33.6 ft 53.1 ft
16.7R	5.58 fc	42.1 ft 66.7 ft
20.0R	3.89 fc	50.5 ft 79.9 ft

■ Vert. Spread: 103.2°
■ Horiz. Spread: 126.8°

45 Watt
DLC Standard



	Center Beam fc	Beam Width
3.2R	184 fc	8.7 ft 13.7 ft
6.7R	44.6 fc	17.6 ft 27.8 ft
10.0R	20.0 fc	26.3 ft 41.5 ft
13.3R	11.3 fc	35.0 ft 55.2 ft
16.7R	7.18 fc	44.0 ft 69.3 ft
20.0R	5.00 fc	52.7 ft 82.9 ft

■ Vert. Spread: 105.6°
■ Horiz. Spread: 128.5°

Case Qty 1 pc

