

### Description

UL 1598C Classified LED retrofit kits with linear modules, for any linear applications such as troffer, wraparound, strips, etc.

### Features

- Driver + Module kits, no lamp socket needed
- Magnet on the back for easy installation
- UL 1598C Classified Retrofit Kits
- UL Class 2 Low Voltage System
- 3 Steps MacAdam Steps for Accurate Color
- Long life 50,000 hours
- 5 Years Warranty of Whole System
- Universal Input 120/277V
- 0-10V Dimming
- NSF 2 Complied with PC lens
- Aluminum backing for heatsink, independent to Fixtures
- True Multi Channel Operation
- Programmable with Multiple Light Levels
- Flicker-free, Meets IEEE 1798-2015

[\\*Emergency Driver Solution Option](#)

### Content

(1)	VPL100-4C, Field-Adjustable Multi Channel Constant Current Driver
(1)	VLM4848F/VHO/8XX Linear LED Module
User Manual	<a href="#">versaLinear_kit_Installation_Guide_2021.10.7.pdf</a>

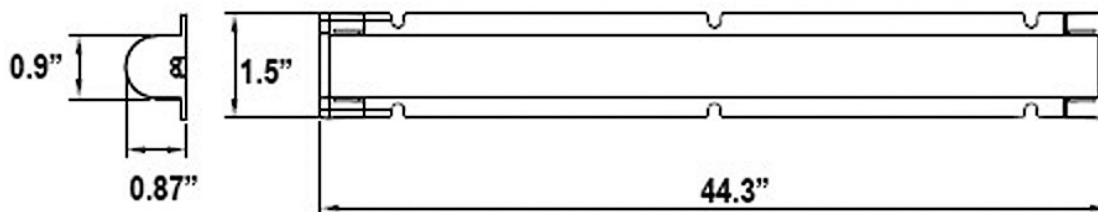


**VersaLinear™**  
Commercial Grade LED Linear Retrofit Kits

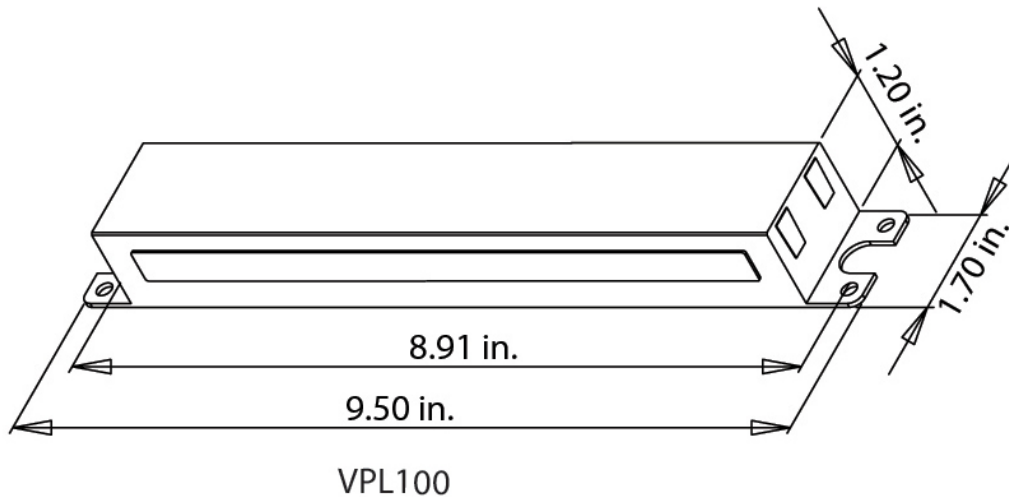
## Specification Data

Kit Order Code	Application	Mode	Kit Model	System Lumen	System Wattage	System Efficacy	CRI	Module	Driver	Power Factor	THD
VEKM-L41F/VHO/830	1 lamp, 4ft VHO 3000K		D547-1M-304 F/VHO/830	6750	50	135	83	VLM4848F/VHO/830	VPL100-4C	>0.9	<20%
VEKM-L41F/VHO/835	1 lamp, 4ft VHO 3500K		D547-1M-304 F/VHO/835	6750	50	135	83	VLM4848F/VHO/835	VPL100-4C	>0.9	<20%
VEKM-L41F/VHO/840	1 lamp, 4ft VHO 4000K		D547-1M-304 F/VHO/840	6750	50	135	83	VLM4848F/VHO/840	VPL100-4C	>0.9	<20%
VEKM-L41F/VHO/850	1 lamp, 4ft VHO 5000K		D547-1M-304 F/VHO/850	6750	50	135	83	VLM4848F/VHO/850	VPL100-4C	>0.9	<20%

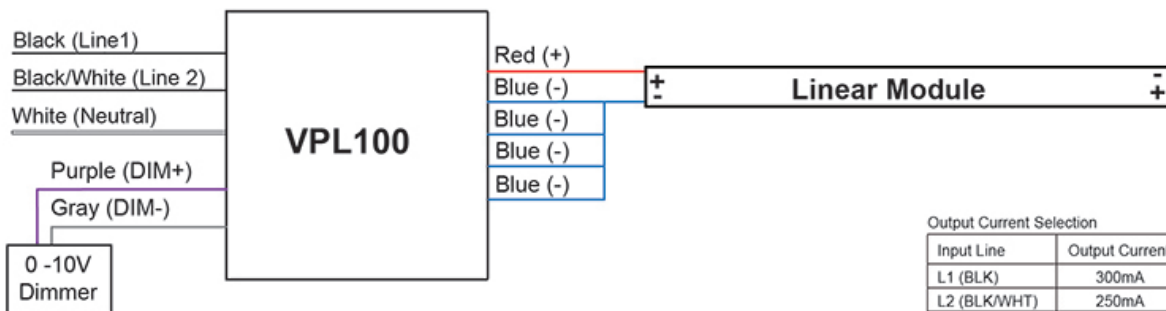
## Module Dimensions



## Driver Dimensions



### Wiring Diagram



### Order Information

EXAMPLE: **VEKM42F/HO/840**

<b>VEKM</b>	<b>4</b>	<b>2</b>	<b>F</b>	/	<b>HO</b>	/	<b>8</b>	<b>40</b>
VersaLinear Linear Retrofit Module Kit	<b>Module Length</b> 4 - 4ft 3 - 3ft 2 - 2ft	<b>Module Quantity</b> 1 - 1 Module 2 - 2 Modules 3 - 3 Modules 4 - 4 Modules	<b>Lens</b> F - Frosted C - Clear (No Lens)	/	<b>Output Mode</b> Empty - Normal Output <b>HO</b> - High Output <b>VHO</b> - Very High Output	/	<b>CRI</b> 8 - CRI > 80	<b>CCT</b> 30 - 3000K 35 - 3500K 40 - 4000K 50 - 5000K

### DLC Information

Order Code	Mode DLC	Product ID	DLC Product Model	DLC Product Version
VEKM-L41F/VHO/830		P9PATATD	D547-1M-304 F/VHO/830	5
VEKM-L41F/VHO/835		PHF4PW6A	D547-1M-304 F/VHO/835	5
VEKM-L41F/VHO/840		PH15Q23Q	D547-1M-304 F/VHO/840	5
VEKM-L41F/VHO/850		PC6MBVRY	D547-1M-304 F/VHO/850	5

Specification data is based on tests performed in a controlled environment and represents relative performance. Actual performance can vary depending on operating conditions. Application and performance data subject to change without notice. All specifications are nominal unless noted otherwise.