

## Installation Instructions

PLEASE READ AND FOLLOW ALL SAFETY INSTRUCTIONS.

This guide contains important information regarding installation and operation.

Please keep this guide for future reference.

versaLinear LED module kit:

VEKM-LABF/8XX (D546-BM-30A F/8XX, D547-BM-30A F/8XX)

VEKM-LABF/HO/8XX (D546-BM-30A F/HO/8XX, D547-BM-30A F/HO/8XX)

VEKM-LABF/VHO/8XX (D547-BM-30A F/VHO/8XX)

A represents length of LED module

B represents number of LED modules



### WARNING:

- RISK OF SHOCK. DISCONNECT POWER BEFORE INSTALLATION.
- WARNING: RISK OF FIRE OR ELECTRIC SHOCK. system must be installed by qualified electrician in accordance with NEC or local electrical code. If not qualified, do not attempt installation; please contact qualified electrician.
- Risk of fire or electric shock. Not for direct replacement of fluorescent lamps. Use only with Espen designated power supply.
- Risk of fire or electric shock. Luminaire wiring or other electrical parts may be damaged when installing retrofit. Check for enclosed wiring and components.
- Risk of fire or electric shock. Existing wiring may be damaged before installing. Check existing wire for damage before retrofit installation.

### NOTES:

The following LED module are to be installed in luminaires with the following minimum compartment dimensions:

Module Model	Min. Compartment Dimensions
VLM2409F/8XX	566 x 38 x 22 mm
VLM3612F/8XX	846 x 38 x 22 mm
VLM4813F/8XX	1126 x 38 x 22 mm
VLM4824F/HO/8XX	1126 x 38 x 22 mm
VLM4848F/VHO/8XX	1126 x 38 x 22 mm

Module Model	Min. Compartment Dimensions
VLM2409C/8XX	566 x 38 x 22 mm
VLM3612C/8XX	846 x 38 x 22 mm
VLM4813C/8XX	1126 x 38 x 22 mm
VLM4824C/HO/8XX	1126 x 38 x 22 mm
VLM4848C/VHO/8XX	1126 x 38 x 22 mm

The modules have been evaluated for use in surface mount wall and ceiling luminaires, outdoor luminaires with compartments protected from weather, only open, surface-mounted luminaires, fully enclosed luminaires with minimum lamp compartment shown above. They have been evaluated for use in totally enclosed, recessed luminaires.

## INSTALLATION INSTRUCTIONS:

1. Turn Disconnect or turn power OFF from the main circuit breaker.
2. Remove lens or diffuser (if applicable).
3. Remove existing fluorescent lamps from the luminaire.
4. Cut all wires connected to ballast and remove ballast.
5. Install the LED driver in place of the ballast. Ensure that the LED driver is the correct driver for the LED lamps being used (refer to driver label or product specification).
6. Connect Black (line) wire and White (neutral) wire to corresponding wires on LED Driver (to bypass dual-relay dimming function connect Black line to both Black and Black/White striped leads on LED Driver).
7. If installing linear module kit, please use screws to mount the LED module on the fixture.
8. Follow wiring diagrams on instruction sheet to connect blue and red leads to the lamp holders according to number of lamps being installed. Blue (negative) and red (positive) leads should be on opposite ends of each lamp.
9. Close wiring compartment.
10. FOR MODULES: Mount modules on luminaire housing with screws provided.
11. Place lens or diffuser back in place (if applicable)
12. Switch power ON

## WIRING DIAGRAMS

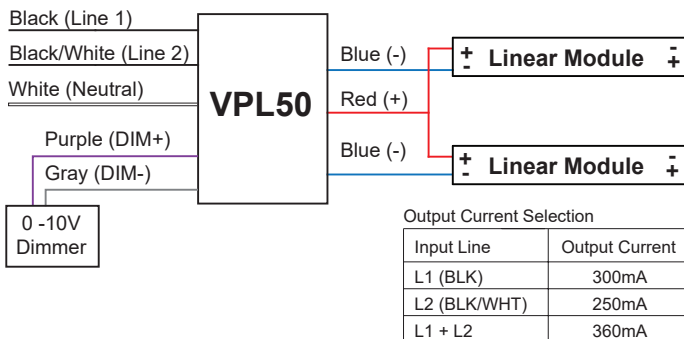
For module VLM2409F/8XX, VLM2409C/8XX, VLM3612F/8XX, VLM3612C/8XX, VLM4813F/8XX, VLM4813C/8XX

For module kit D546-BM-30A F/8XX, D546-BM-30A F/8XX, D546-BM-30A C/8XX, D546-BM-30A C/8XX

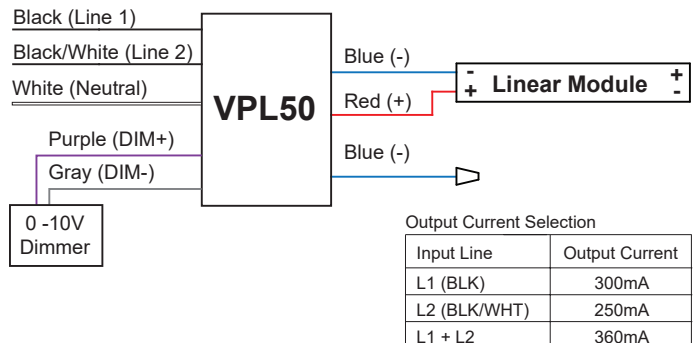
A represents length of LED module

B represents number of LED modules, B=1 or 2

Two-module configuration



One-module configuration



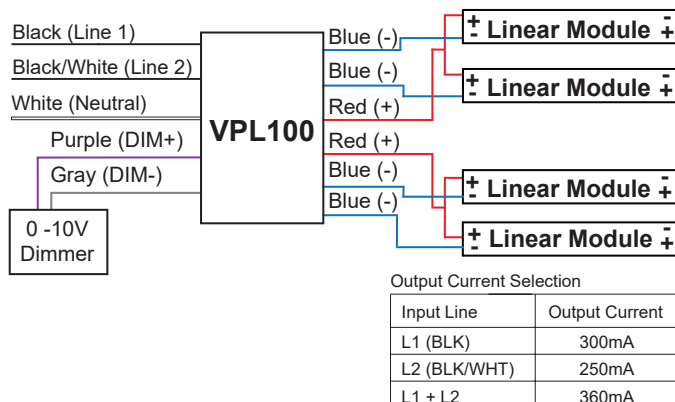
For module VLM2409F/8XX, VLM2409C/8XX, VLM3612F/8XX, VLM3612C/8XX, VLM4813F/8XX, VLM4813C/8XX

For module kit D547-BM-30A F/8XX, D547-BM-30A F/8XX, D547-BM-30A C/8XX, D547-BM-30A C/8XX,

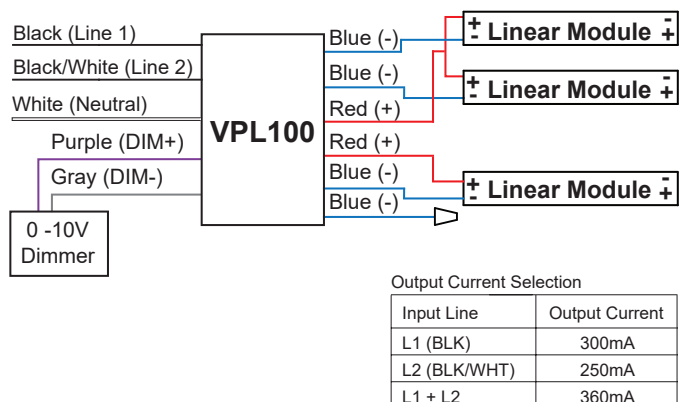
A represents length of LED module

B represents number of LED modules, B=3 or 4

Four-module configuration



Three-module configuration



**WIRING DIAGRAMS**

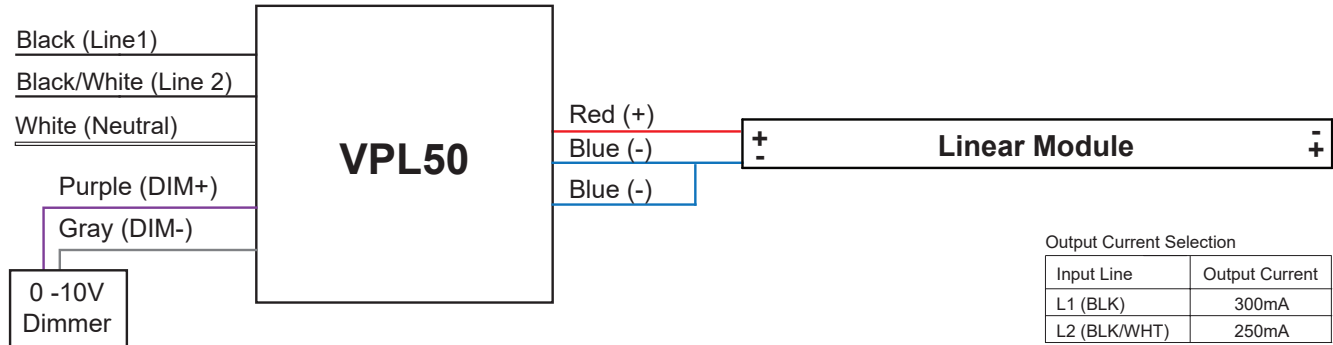
For module VLM4824F/HO/8XX, VLM4824C/HO/8XX

For module kit D546-BM-30A F/HO/8XX, D546-BM-30A C/HO/8XX, D546-BM-30A C/HO/8XX,

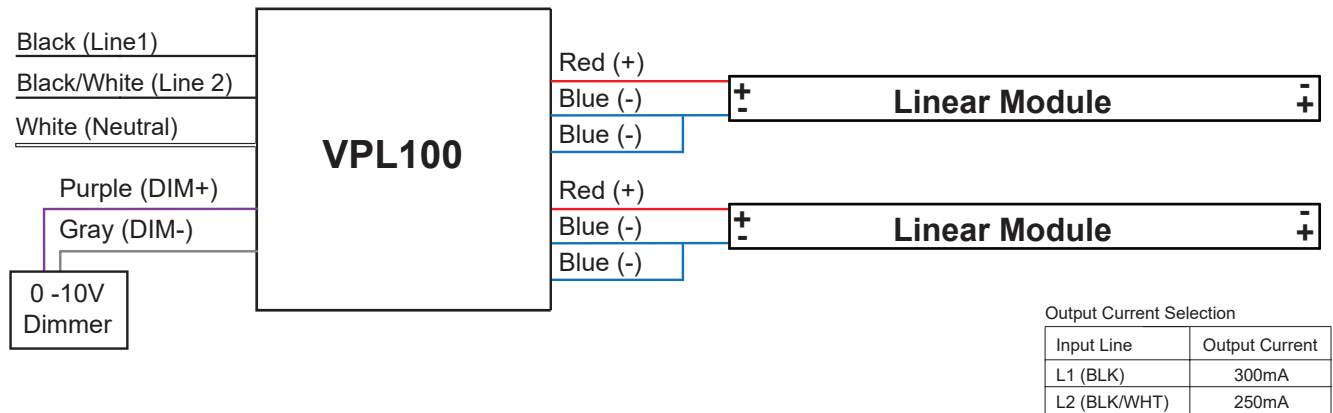
A represents length of LED module, A = 4

B represents number of LED modules, B=1 or 2

**Below wiring for kit VEKM-L41F/HO/8XX and VEKM-L41C/HO/8XX only:**



**Below wiring for kit VEKM-L42F/HO/8XX and VEKM-L42C/HO/8XX only:**



For module VLM4848F/VHO/8XX, VLM4848C/VHO/8XX

For module kit D547-BM-30A C/VHO/8XX, D547-BM-30A C/VHO/8XX,

A represents length of LED module, A = 1

B represents number of LED modules, B=1

**Below wiring for kit VEKM-L41F/VHO/8XX only:**

