

LED 6 INCH WET-LISTED DOWNLIGHT (PDL6K)

COMPLETE KIT - PDL6K comes complete with high-efficiency LED modules, recessed housing and built-in trim.

LEDs - Select high-brightness LEDs. Color temperature 4000K (NW, nominal). CRI = 90 (nominal)

LED MODULE ASSEMBLY - Durable plastic housing integrates LED module, white trim and white baffle reflector. Frosted lens eliminates direct view of LEDs. Torsion springs safely secure LED module in housing. Other trims available, consult factory.

ROUGH-IN HOUSING - Non-IC housing must be kept at least 3" away from insulation. 16-gauge galvanized steel housing includes frame with bar hangers with nails for wood joist. Adjustable 14" to 25" for precise placement. Bar hangers include T-bar notch for T-grid ceilings

DIMMING - PDL6K is dimmable to 10% with standard 120V electronic dimmers. Contact factory for use with incandescent or magnetic low-voltage dimmers.

DELIVERED LUMENS - 900 (HO Output) or 700 (SS)

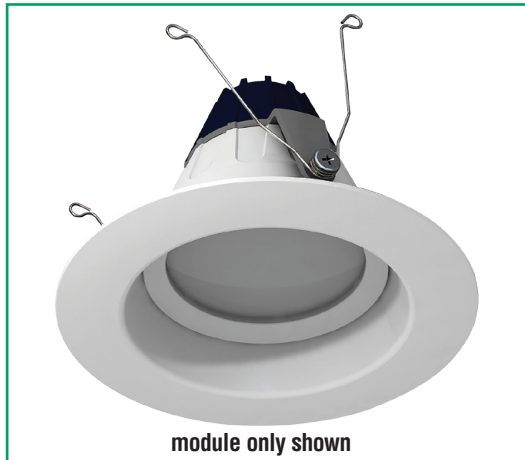
INPUT POWER - 13 watts (HO); 10 watts (SS)

EXPECTED LIFE - Minimum 50,000 hours.

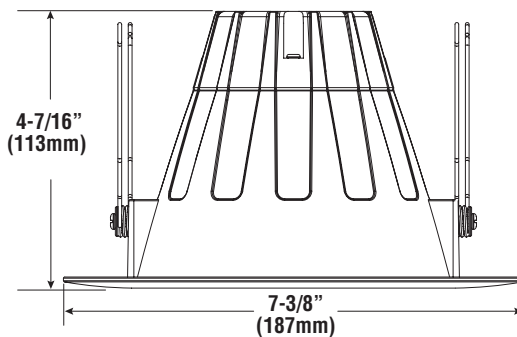
WARRANTY - Limited 5-year warranty.

LISTING - Wet location. ETL listed to U.S. and Canadian safety standards.

PHOTOMETRICS - LM-79 and LM-80 reports, as well as application layout assistance are available on request. Contact LSI Applications Group or lighting.apps@lsi-industries.com.



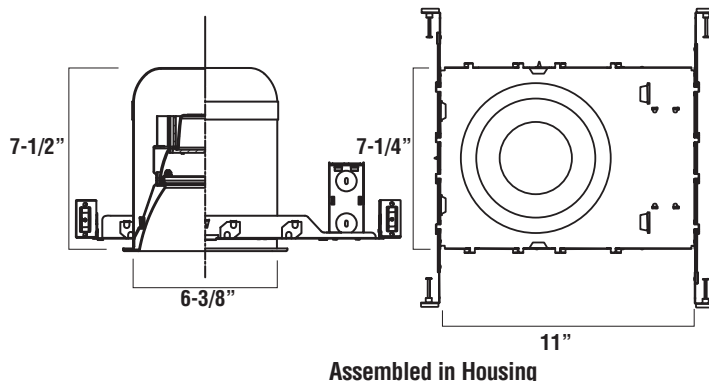
DIMENSIONS



Module Only



ARRA
Funding Compliant



Assembled in Housing

ORDERING INFORMATION

TYPICAL ORDER EXAMPLE: **PDL6K LED HO NW 120**

Prefix	Light Source	Lumen Output	Color Temp	Line Voltage
PDL6K - 6" Downlight (Module & housing)	LED	HO - High Output SS - Super Saver	NW - Neutral White (4000K)	120 - 120 VAC