

# STP

## LED Step Light

Project \_\_\_\_\_

Catalog \_\_\_\_\_

Type \_\_\_\_\_

Date \_\_\_\_\_

### Product Description

NICOR's LED Step Lights are a great complement for your residential and commercial projects. This step light not only provides a touch of safety, but it offers a warm, natural glow making it a perfect accent for any project. For a truly customizable choice, this LED step light offers paintable faceplates making them versatile for any application. Wet location approved for indoor and outdoor use.

#### Construction

Stamped aluminum faceplates  
High efficiency, fully sealed, maintenance-free LED chamber

#### Optical System

Louver to conceal LEDs and provide a unique light distribution pattern

#### Electrical

Long-life LED system coupled with electrical driver to deliver optimal performance per watt  
Operating temperature rating of -10°F to 122°F (-23°C to 50°C)  
TM-21 Projected L70(6k) life 50,000 hours  
Input voltage of 120V

#### Mounting and installation

Mounts directly in a non-metallic single gang box  
Modular design allows fixture to be mounted in horizontal or vertical orientation  
Wet location approved for indoor and outdoor use

#### Finish

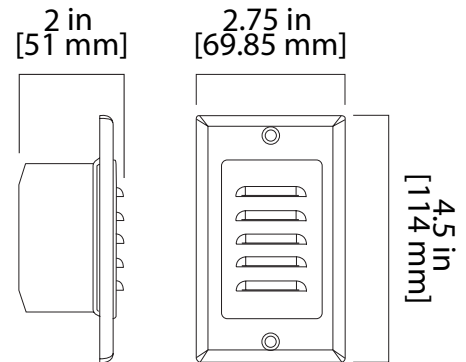
White powder coat finish

#### Options

May be mounted in vertical (as provided from factory) or horizontal orientation  
Available in White, Black and Oil-Rubbed Bronze, in both Vertical and Horizontal *(White vertical faceplate included)*

#### Warranty

5-year limited system warranty standard



### PRODUCT INFORMATION

<b>Color Temperature:</b>	2700K
<b>LED Lifetime Projected (Hrs):</b>	50,000
<b>Input Voltage (V):</b>	120V
<b>Power Draw (W)</b>	1W
<b>Trim Height:</b>	4.5 in (114 mm)
<b>Trim Width:</b>	2.75 in (69.85 mm)
<b>Fixture Depth:</b>	2 in (51 mm)

### Ordering Information

Example: STP-10-120-WH

Series	Version	Voltage	Color
STP	10	120	WH

### Faceplate Ordering Information

Horizontal		
FPHBK (Black)	FPHOB (Oil-Rubbed Bronze)	FPHWH (White)
Vertical		
FPVBK (Black)	FVOB (Oil-Rubbed Bronze)	