

The all new Exitronix Tempo Pro family of LED Combo EXIT sign provides a more complete, compact, powerful light offering with a higher performance than most currently on the market.

Model: _____ Date: _____
Accessories: _____
Job Name: _____ Type: _____

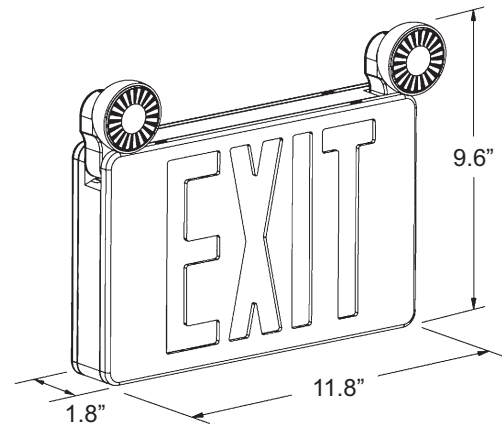
FEATURES & BENEFITS

- Ultracompact, injection-molded UL 94 5VA flame rated thermoplastic housing
- Universal style includes 2 face plates, backplate and mounting canopy and can be ceiling, wall or end mounted
- Fully-adjustable, ultrabright 6000K SMD LEDs
- Remote option (R4) provides 4 watts of remote capability for use with RL52, 2RL52, RL1-WP or 2RL1-WP Series Remotes
- Suitable for Damp Locations



SPECIFICATIONS

- Illumination:** Exit: Long-life, high-intensity red or green LEDs
Lamps: Ultrabright, 1W, 6000K CCT SMD LEDs
- Housing:** UL 94 5VA flame rated thermoplastic housing
- Input:** 120/277VAC Dual primary, 60Hz
- Battery:** Maintenance-free NiCad (std) or NiMH (R4 option) battery
- Operating Temp:** 10°C to 40°C (50°F to 104°F)
- Run Time:** cULus Listed 90 minute emergency run time, 24 hour recharge time
- Mounting:** Universal J-box mounting pattern and rear keyhole slots provided for wall mounting, canopy provided for ceiling and end mounting
- Finishes:** Black or White
- Options:** G2 - Guardian Self-test/Self-diagnostics
R4 - Remote Capable (4W)
- Certifications:** cULus 924 Listed for Damp Locations, meets or exceeds NEC requirements and NFPA 101
- Warranty:** Any component that fails due to a manufacturing defect is guaranteed for three years with a separate three year prorated warranty on the battery. The warranty does not cover physical damage, abuse or instances of uncontrollable natural forces. See the full Exitronix warranty document for detailed information. (Terms and conditions apply)



ORDERING INFORMATION Example: VLEDC-51-WH-G2

Series	Finish	Options (Factory Installed)	Accessories ¹ (Field Installed)
VLEDC-51 = Red	BL = Black	G2 = Self-Test/Self-Diagnostics	WG-S = Wire Guard (Back Mount)
GVLEDC-51 = Green	WH = White	R4 ² = Remote Capable (4 watts)	XG-6 = Polycarbonate Guard (Back Mount)

Notes

- ¹ Order as separate line item
- ² R4 option supplied with Ni-MH battery, compatible lamps include RL52, 2RL52, RL1-WP or 2RL1-WP remote lamps

CONSTRUCTION

Precision-molded unit and lamp housings constructed of UL 94 5VA flame-retardant, corrosion-resistant thermoplastic. Maintains compact size in packaging; lamps are packaged inside the exit housing and easily snap in place for use. Units resist denting, peeling, scratching and corrosion. Tool-less access and snap together design provided for easy maintenance.

ILLUMINATION

Exit is backlit with optically true red or green LEDs with color matched lens providing bright even illumination. Two fully adjustable, attractive lamp heads allow for maximum light to be delivered to the path of egress. Lamps can be set into a top or side mount position as well as aimed front or back for maximized directional light for egress path. Fixtures are supplied with high-powered SMD 1W LED lamps providing 150 total lumens, in a pure white color temperature of 6000K. The LEDs have an estimated life over 50,000 hours with normal use. The high-performance LEDs offer up to 25 foot on-center spacing.

ELECTRICAL

Input

Dual-voltage input 120 or 277VAC @ 60Hz.

Nickel Cadmium Battery (NiCad)

Nickel cadmium batteries are maintenance-free.

Nickel Metal Hydride Battery (NiMH) Standard with R4 option

Nickel metal hydride batteries are maintenance-free.

Emergency

The VLEDC-51 will operate for a minimum of 90 minutes during a loss of power with a 24 hour maximum recharge time for the battery. Remote capable (R4 Option) units have a 48 hour maximum recharge time.

Low Voltage Disconnect

Low Voltage Disconnect (LVD) measures the battery terminal voltage. The LVD continuously monitors the battery terminal voltage and if it should fall below a preset voltage threshold, the LVD will disconnect the load. When the battery is recharging and voltage is raised above another preset voltage threshold, the load is automatically reconnected.

Solid-State Transfer

The unit features a solid-state switching transistor which eliminates damaged contacts or mechanical failures associated with relays. The switching circuit is designed to detect a loss of AC power and automatically energizes the lamps. Upon restoration of the AC voltage, the emergency

lamps will switch off and the charger will automatically recharge the battery.

Test Button

Our test button is easy to locate and allows for manual verification of proper operation of the transfer circuit and emergency lamps.

INSTALLATION

Universal J-box mounting pattern and rear keyhole slots provided for wall mounting, canopy provided for ceiling and end mounting.

Guardian Self-Test/Self-Diagnostics (Option: G2)

The Guardian circuit continuously monitors the operating condition of the AC power, battery supply voltage, emergency lamp continuity and charging circuit.

The purpose of this option is to provide visual signaling in response to a fault. If a failure is detected, visual status will occur immediately via the CHARGER LED and/or the BATTERY FAULT LED. The LEDs will stay illuminated until the fault is corrected.

The Guardian circuit monitors the transfer circuit and performs automatic code compliant testing. The Guardian circuit will perform a 30 second discharge and self-test every 28-30 days and a 90 minute discharge and self-test every six months.

Remote Capable (Option: R4)

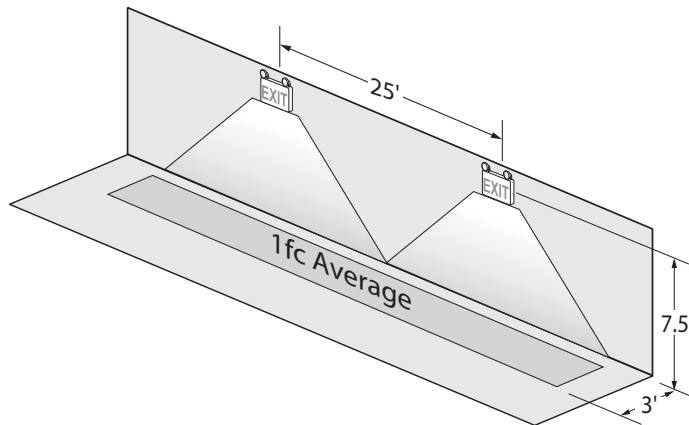
The R4 option provides an additional 4 watts of remote capability. For use with RL52, 2RL52, RL1-WP or 2RL1-WP remote lamps.

CONFORMANCE TO CODES & STANDARDS

The VLEDC-51 Series is cULus 924 Listed and meets or exceeds NEC requirements and NFPA 101.

SAMPLE PHOTOMETRICS

Using multiple units mounted at a typical 7.5' height delivers 25' on-center spacing with a 3' wide path of egress.



Using multiple units mounted at a typical 7.5' height delivers 23' on-center spacing with a 6' wide path of egress.

