

### DESCRIPTION

Trace-Lite's LPA-CP Series of adjustable backlit LED panels offers incredible performance in an energy-efficient, slim profile steel enclosure available in 1' x 4', 2' x 2' and 2' x 4' configurations. The unit provides ultimate flexibility while minimizing inventory by simply adjusting both CCT and wattage. The CCT can easily be switched between 3500K, 4000K and 5000K. The wattage can be adjusted between 20W-25W-30W for the 1' x 4' and 2'x2' configuration and 30W-35W-40W for the 2'x4' configuration. This series is the ideal for office spaces, schools, hospitals and any indoor location that requires even illumination and lower maintenance. The LPA-CP Series is compatible with most standard T-bar grid ceilings and includes 1-10V dimming standard. Trace-Lite LED panels offer soft and uniform light with PMMA optical lensing that will not yellow over time. All panels are packaged in a quantity of four.

### SPECIFICATIONS

#### Construction:

- Precision die-formed steel back enclosure in a white finish
- Aluminum frame with seamless corners
- Recessed design fits most standard T-bar grid ceilings
- Backlit design, LEDs sit at the back of the enclosure aimed directly at the diffuser to evenly illuminate the entire surface of the panel
- Sturdy frame prevents warping due to the slightly more elevated profile
- Wattage and CCT switches located outside driver junction box
- Enlarged driver box to facilitate installation with Wago connectors included

#### Optics/LEDs:

- UV-stabilized PMMA optical lenses over the LEDs that will not yellow over time
- Soft and uniform light distribution, 120° beam
- Efficacies up to 156 LPW to maximize energy savings and utility rebates
- Switchable from 3500K, 4000K and 5000K CCT. Switch located outside driver box behind the unit
- CRI ≥80
- L70 > 100,000 hours

#### Electrical:

- 120-277VAC, 50/60Hz
- 1-10V Dimming driver
- Power switchable, 1' x 4' and 2'x2' configuration between 20W, 25W and 30W, 2'x4' configuration between 30W, 35W and 40W. Switch located outside driver box behind the unit
- Power supply with high power factor of 90% typical

#### Testing & Compliance:

- cETL Listed, rated for insulated ceilings (IC Rated)
- DesignLights Consortium® (DLC) PREMIUM Qualified
- Meets IP20 rating, Damp Location
- Operating temperatures: -10°C to 40°C (14°F to 104°F)

#### Installation:

- Unit simply lifts through grid ceiling and rests on T-bars
- Easy installation in new construction or retrofit
- Standard recessed mounting in most 1' x 4', 2' x 2' or 2' x 4' grid ceilings
- Earthquake clips included
- Easily set wattage and CCT during installation using the adjustment switches located outside the driver box

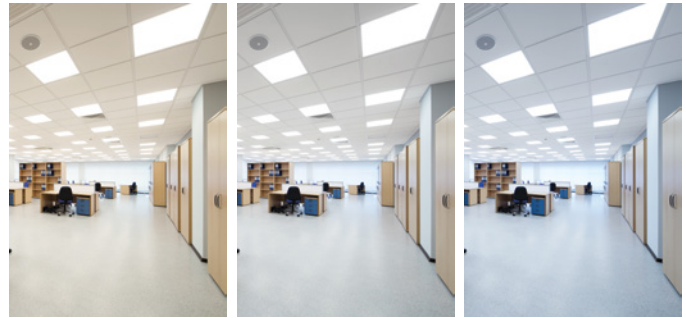
#### Warranty:

- Five Year Warranty (Terms and Conditions Apply)

#### Accessories:

- Optional surface mount kit (LPA14-SMK, LPA22-SMK and LPA24-SMK)
- Optional flange mount kit (LP14-FMK, LP22-FMK and LP24-FMK)
- Cable suspension mount kit (LPA-CMK)
- Field-installable battery packs available for emergency egress lighting (LBD Series)

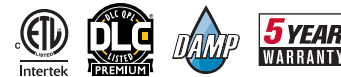
Model: \_\_\_\_\_ Date: \_\_\_\_\_  
Accessories: \_\_\_\_\_  
Job Name: \_\_\_\_\_ Type: \_\_\_\_\_



3500K

4000K

5000K



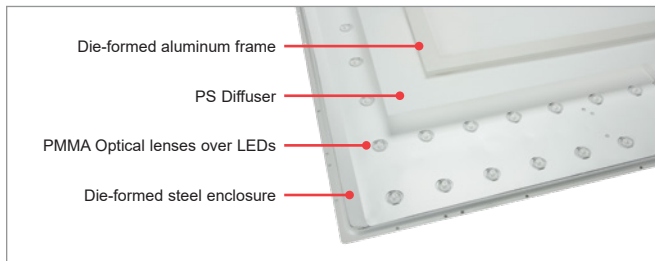
Specs at a Glance		* Nominal Wattage (Switchable)							
Configuration	LPA14-CP (1' x 4')			LPA22-CP (2' x 2')			LPA24-CP (2' x 4')		
CCT (K)	3500K-4000K-5000K (Switchable)								
Wattage (W)*	20W	25W	30W	20W	25W	30W	30W	35W	40W
Lumens (lm)	2624-2819	3127-3425	3653-3993	2624-2819	3127-3425	3653-3993	4155-4352	4760-4981	5242-5476
Efficacy (LPW)	140-148	126-138	124-140	140-148	126-138	124-140	141-149	135-156	131-143
CRI	≥80								
Input Voltage	120-277VAC, 50/60Hz, 1-10V Dimmable								
Operating Temp	-10°C to 40°C (14°F to 104°F)								
Certifications	cETL Listed, IC Rated, IP20 Damp Location, DLC PREMIUM								
Warranty	5 Years								
Weight	5.7 lbs			5.7 lbs			10.9 lbs		

**Ordering Information** (Example: LPA22-CP)

Model	Description
LPA14-CP <sup>1</sup>	LED flat panel, 1' x 4' Backlit, Power switchable 20W/25W/30W, Color switchable 3500K/4000K/5000K CCT, 120-277VAC
LPA22-CP <sup>1</sup>	LED flat panel, 2' x 2' Backlit, Power switchable 20W/25W/30W, Color switchable 3500K/4000K/5000K CCT, 120-277VAC
LPA24-CP <sup>1</sup>	LED flat panel, 2' x 4' Backlit, Power switchable 30W/35W/40W, Color switchable 3500K/4000K/5000K CCT, 120-277VAC

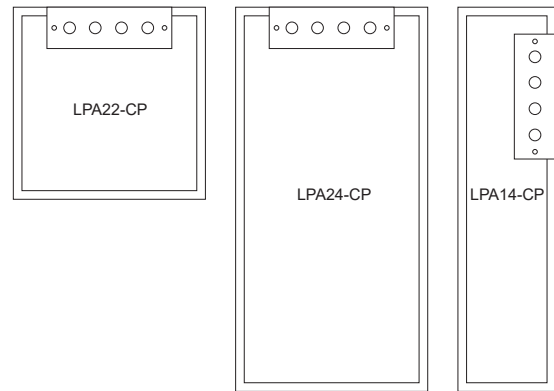
Notes	Accessories <sup>2</sup> (Field Installed)
<sup>1</sup> All panels are packaged in quantity of four (4pcs/carton)	LBD-5-NC-CW-C <sup>3,4</sup> = 5 Watt Battery Pack for Emergency Egress
<sup>2</sup> Order as a separate line item. Shipped in a separate box for final installation in the field	LBD-7-NC-CW-C <sup>3,4</sup> = 7 Watt Battery Pack for Emergency Egress
<sup>3</sup> See back page for battery pack lumen output. Not compatible with LPxx-SMK kit	LBD-10-NC-CW-C <sup>3,4</sup> = 10 Watt Battery Pack for Emergency Egress
<sup>4</sup> Consult <a href="#">LBD spec sheet</a> for more details on battery pack, must be remote mounted	LBD-13-NC-CW-C <sup>3,4</sup> = 13 Watt Battery Pack for Emergency Egress
<sup>5</sup> Not recommended for textured ceilings	LBD-17-NC-CW-C <sup>3,4</sup> = 17 Watt Battery Pack for Emergency Egress
	LPA-CMK = Cable Suspension Mount Kit
	LP14-FMK = 1' X 4' Flange Mount Kit
	LP22-FMK = 2' X 2' Flange Mount Kit
	LP24-FMK = 2' X 4' Flange Mount Kit
	LPA14-SMK <sup>5</sup> = 1' x 4' Surface Mount Kit
	LPA22-SMK <sup>5</sup> = 2' x 2' Surface Mount Kit
	LPA24-SMK <sup>5</sup> = 2' x 4' Surface Mount Kit

**Backlit Panel Detail**

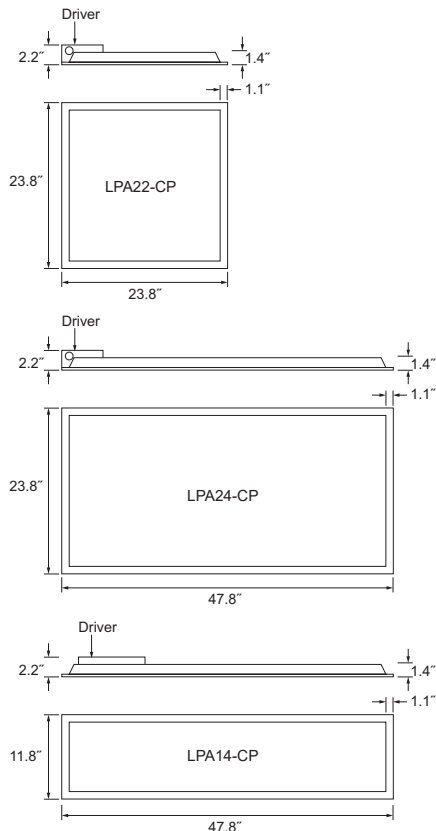


Backlit design for even illumination

**Panel Back View - Driver Location**



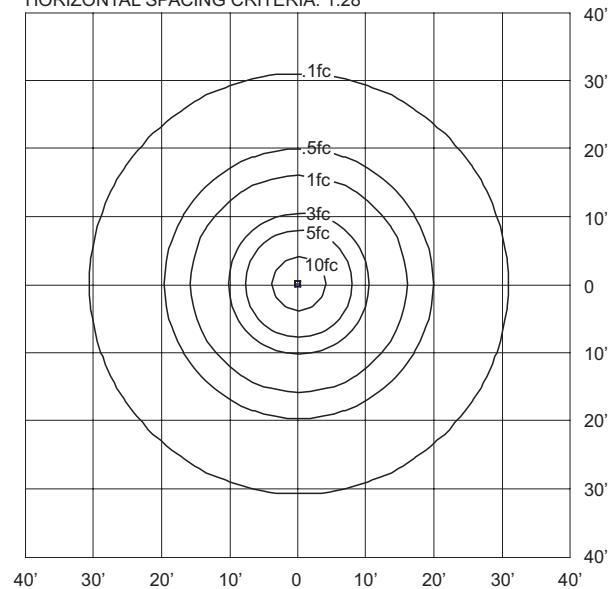
**Dimensions**



**Sample Photometry**

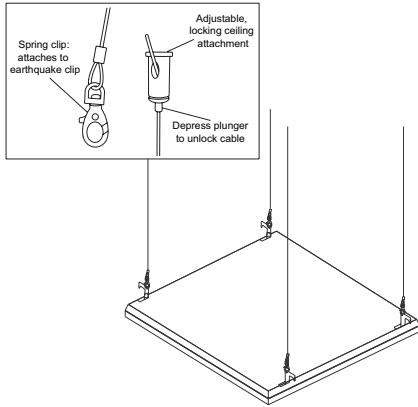
**LPA22-CP: 30W, 4000K CCT**

IES: TYPE VS Very Short  
 MOUNTING HEIGHT: 10'  
 TILT: ZERO  
 HORIZONTAL SPACING CRITERIA: 1.28



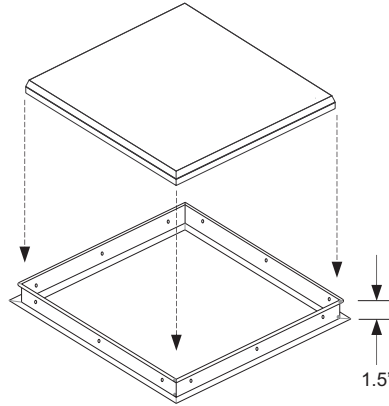
### Cable Mount Kit (LPA-CMK)

Optional cable mounting kit (LPA-CMK) allows for suspended installations from any ceiling type. (6 pcs/kit, 3.2' length)



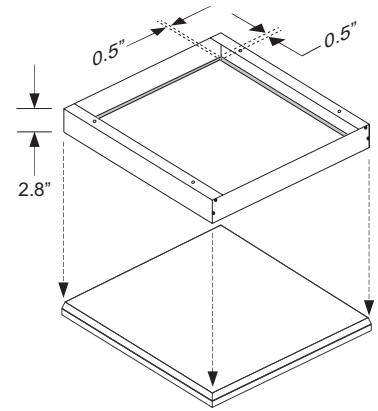
### Flange Mount Kit (LPXX-FMK)

Optional flange kit (LP14-FMK, LP22-FMK, LP24-FMK) mounts above drywall ceiling, allows panel to be mounted flush to ceiling.

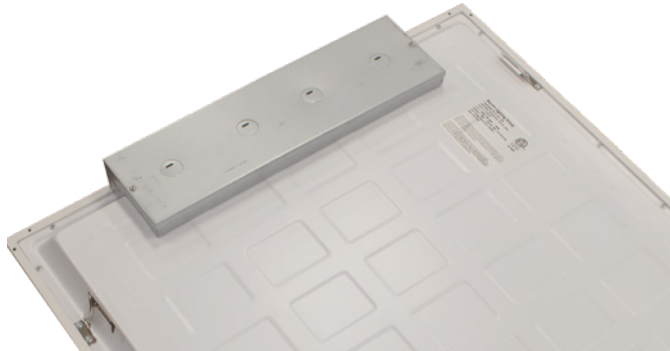


### Surface Mount Kit (LPAXX-SMK)

Optional surface mount kit (LPA14-SMK, LPA22-SMK, LPA24-SMK) allows for installation on plaster or other hard ceilings.



### Driver Detail



### Switch Location Detail for CCT and Wattage



### Lumen Output Summary for LBD Battery Pack Accessories (Consult LBD spec sheet for more details. [Click Here](#))

LPA Panel Battery Packs:			LBD-5-NC-CW-C	LBD-7-NC-CW-C	LBD-10-NC-CW-C	LBD-13-NC-CW-C	LBD-17-NC-CW-C
Model	Lumens	Wattage	Battery Backup Lumens				
LPA14-CP/LPA22-CP (20W,35K)	2624	20	609	852	1218	1583	2070
LPA14-CP/LPA22-CP (20W,4K)	2819	20	691	968	1383	1798	2351
LPA14-CP/LPA22-CP (20W,5K)	2624	20	617	864	1265	1606	2100
LPA14-CP/LPA22-CP (25W,35K)	3127	25	548	767	1096	1425	1863
LPA14-CP/LPA22-CP (25W,4K)	3425	25	600	840	1200	1560	2041
LPA14-CP/LPA22-CP (25W,5K)	3250	25	591	828	1183	1538	2011
LPA14-CP/LPA22-CP (30W,35K)	3653	30	539	779	1078	1402	1833
LPA14-CP/LPA22-CP (30W,4K)	3993	30	609	858	1218	1583	2070
LPA14-CP/LPA22-CP (30W,5K)	3830	30	556	779	1113	1447	1893
LPA24-CP (30W,35K)	4155	30	613	858	1226	1594	2085
LPA24-CP (30W,4K)	4352	30	630	883	1261	1639	2144
LPA24-CP (30W,5K)	4271	30	648	907	1296	1685	2203
LPA24-CP (35W,35K)	4760	35	587	822	1174	1526	1996
LPA24-CP (35W,4K)	4981	35	678	950	1357	1764	2307
LPA24-CP (35W,5K)	4950	35	665	931	1331	1730	2262
LPA24-CP (40W,35K)	5242	40	569	797	1139	1481	1937
LPA24-CP (40W,4K)	5476	40	622	870	1244	1617	2144
LPA24-CP (40W,5K)	5295	40	595	834	1191	1549	2026