

The NY900C Series is New York City Approved and combines the architectural design of an edge-lit exit sign with fully adjustable recessed emergency LED lamp heads for a modern, low-profile aesthetic. The NY900C Series is designed for easy recessed or surface mount installation in ceilings or walls. Single- and double-face LED exit configurations are included with brushed aluminum, black or white housing finish options. The NY900C Series is ideal for offices, classrooms, corridors, lobbies, and other indoor commercial spaces requiring a minimalist aesthetic for emergency lighting combined with an architectural exit sign.

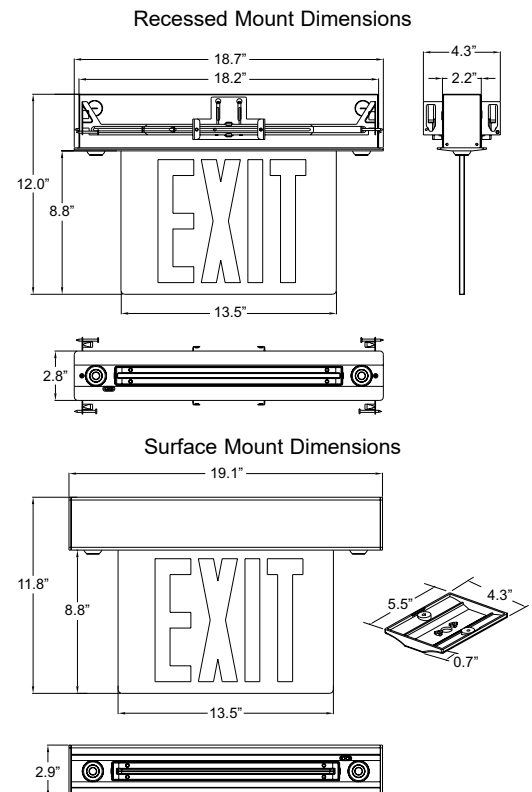
FEATURES & BENEFITS

- Designed for simple installation and maintenance in any surface or recessed application, surface mount canopy or recessed mount hardware included
- Universal - includes single-face (clear) and double-face (mirrored) panel configurations
- Optional Self-test/Self-diagnostics (G2) available
- On-center spacing of 40" at 9' mounting height (for non-G2 models)
- 90 Minute emergency run time, 24 hour recharge time
- UL 924 Listed for Damp Locations
- Optional remote capability up to 3W, compatible with two [RL1 remote lamps](#) (non-G2 models) or one [RL1 remote lamp](#) (G2 models)
- California Energy Commission (CEC) compliant

SPECIFICATIONS

Illumination:	Long-life, high-intensity, red LEDs with 2.5W LED lamp heads (non-G2 models)
Housing:	Steel or aluminum housing with high-grade acrylic panels
Input:	120/277VAC Dual primary, 60Hz
Battery:	Maintenance-free NiMH battery
Operating Temp:	5°C to 40°C (41°F to 104°F)
Run Time:	UL Listed 90 minute emergency run time, 24 hour recharge time
Electrical:	Low voltage disconnect eliminates deep discharge
Legend:	Fully-illuminated 8" characters with 1" stroke, field-selectable directional chevrons, and comes standard with clear single-face and mirrored double-face panels
Mounting:	Surface ceiling, surface wall, recessed ceiling and recessed wall mounting. Includes surface mount canopy or recessed mount hardware
Finishes:	Brushed Aluminum, Black or White
Options:	G2 - Self-test/Self-diagnostics R - 3W Remote Capable, compatible with two RL1 remote lamps (non-G2 models) or one RL1 remote lamp (G2 models)
Certifications:	UL 924 Listed, meets or exceeds NEC requirements and NFPA 101, Suitable for Damp Locations. Meets City of New York Emergency Code requirements.
Warranty:	Any component that fails due to a manufacturing defect is guaranteed for three years with a separate five year prorated warranty on the battery. The warranty does not cover physical damage, abuse or instances of uncontrollable natural forces. See the full Exitronix warranty document for detailed information and product registration instructions.

Model: _____ Date: _____
 Accessories: _____
 Job Name: _____ Type: _____



ORDERING INFORMATION Example: NY900C-SM-WH-G2

Series	Mounting	Finish	Options (Factory Installed)
NY900C ¹ = Universal	R = Recessed	AG = Brushed Alum.	G2 ³ = Self-test/Self-diagnostics
	SM = Surface	BL ² = Black	R ⁴ = 3W Remote Capable
Notes		WH ² = White	
¹ Supplied with single-face (clear) and double-face (mirrored) panel configurations			
² Consult factory for availability			
³ G2 Option uses 1.5W LED lamp heads			
⁴ Compatible with two RL1 remote lamps (non-G2 models) or one RL1 remote lamp (G2 model)			
⁵ Not UL Listed item			Accessories^{5,6} (Field Installed)
⁶ Order as separate line item			NY900C-R-FP = Red Single Mirror Panel

CONSTRUCTION

Housing

Available in either a Brushed Aluminum, Black or White finish.

Surface - Engineering grade aluminum extrusion with mounting canopy.

Recessed - Steel housing supplied with galvanized steel adjustable hanger bar assembly.

Panels

Constructed of clear high-grade acrylic. Stencil letters are 8" high with 1" stroke, with minimum of 100' viewing distance rating as required by UL 924 standard. Double-face panels are supplied with a mirror insert. Units are supplied with field-selectable directional chevrons for optimal flexibility in all applications. Meets City of New York Emergency Code requirements.

ILLUMINATION

High-output red LEDs provide superior brightness with energy consumption of less than 5W. Path of egress illumination is provided by (2) 2.5W (non-G2 models) white LED lamps. LEDs are a maintenance-free lighting solution.

ELECTRICAL

Input

Dual-voltage input 120 or 277VAC at 60Hz.

Nickel Metal Hydride Battery - NiMH

Extronix NiMH batteries are maintenance-free. NiCad technology provides long-lasting, safe and reliable performance by utilizing the jelly roll design and allows a NiCad cell to deliver a much higher maximum current than an equivalent size alternative battery. As a relatively larger area of the electrode is in contact with the active material in each cell, the internal resistance for an equivalent sized NiCad cell is lower which increases the maximum current that can be delivered.

Emergency

The NY900C Series exit will operate for a minimum of 90 minutes during a loss of power with a 24 hour maximum recharge time for the battery.

Low Voltage Disconnect

When the battery's terminal voltage falls below predetermined levels, the low voltage circuit disconnects the emergency lighting load. The disconnect remains in effect until normal power is restored, preventing deep battery discharge and improving the life of the battery. The disconnect will also automatically reconnect the load circuit once the battery voltage returns to a normal value after charging.

Test Button

Test button is easy to locate and allows for manual verification of the transfer circuit and emergency lamps.

INSTALLATION

Surface Mounting: Supplied canopy provided for surface mounting. All hardware is included.

Recessed Mounting: Recessed ceiling mount, accessible above the plenum. Electronics and battery are contained in the housing. Plug-in battery connector supplied for easy installation. All hardware is included.

OPTIONS

Guardian Self-test/Self-diagnostics (Option: G2)

The Guardian circuit continuously monitors the operating condition of the AC power, battery supply voltage and charging circuit. The purpose of this option is to provide visual signaling in response to a fault at the EXIT sign battery and/or battery charger. If a failure is detected, visual status will occur immediately via the dual color LED. Refer to the instruction manual for detailed information. The Guardian circuit also monitors the transfer circuit as well as performing automatic code compliance testing.

Remote Capable (Option: R)

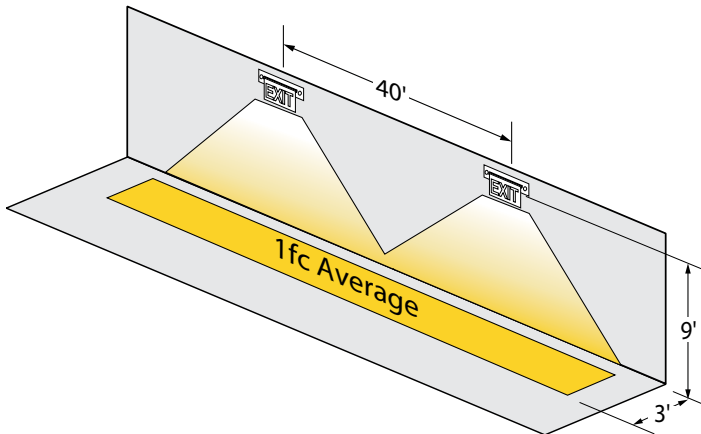
The NY900C is remote capable and provides up to 3W of remote power for 90 minutes. Compatible with two [RL1 remote lamps](#) (non-G2 models) or one [RL1 remote lamp](#) (G2 models).

CONFORMANCE TO CODES & STANDARDS

The NY900C Series is Damp Location Rated, UL 924 Listed and meets or exceeds the following: City of New York Emergency Code requirements, NEC requirements, CEC and NFPA 101.

SAMPLE PHOTOMETRICS - NON-G2 MODELS

Using multiple NY900C units (2.5 Watts lamps at 400 lm each) mounted at a typical 9' height delivers 40' on-center spacing with a 3' wide path of egress.



SAMPLE PHOTOMETRICS - WITH G2 OPTION

Using multiple NY900C-G2 units (1.5 Watts lamps at 250 lm each) mounted at a typical 9' height delivers 38' on-center spacing with a 3' wide path of egress.

