

The NXFX Series is a part of the NXF family of NEMA 4X and UL-EPH Classified emergency lighting solutions for extreme commercial and heavy industrial environments. The NXF family offers protection against humidity, dust, and water infiltration and is comprised of the [NXFX \(Exit Sign\)](#), [NXFC \(Exit Combo\)](#), [NXFE \(Emergency Lighting Unit\)](#), and [NXFR \(Remote Head\)](#). The reinforced polycarbonate enclosure with impact-resistant, UV-stable polycarbonate lens is suitable for vandal-prone areas and Wet Locations.

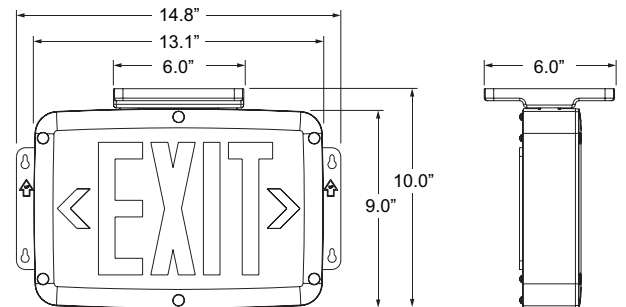
Model: \_\_\_\_\_ Date: \_\_\_\_\_  
Accessories: \_\_\_\_\_  
Job Name: \_\_\_\_\_ Type: \_\_\_\_\_

**FEATURES**

- NEMA 4X Certified
- UL-EPH Classified
- California Energy Commission (CEC) compliant
- IP66 Rated
- Touchless, magnetically operated test switch (non-AC models only)
- Easy snap-out, field-selectable chevrons

**SPECIFICATIONS**

**Illumination:** Long-life, high-intensity, green or red LEDs  
**Housing:** NEMA 4X rated polycarbonate enclosure, polycarbonate lens and stainless steel hardware  
**Electrical Input:** 120/277VAC Dual primary, 60Hz  
**Battery:** Maintenance-free NiCad battery  
**Operating Temp:** -20°C to 50°C (-4°F to 122°F)  
**Run Time:** 90 Minute emergency run time, 24 hour recharge time  
**Legend:** Fully illuminated 6" characters with 3/4" stroke  
**Mounting:** Back, end or top mount  
**Finishes:** Black or White  
**Certifications:** UL 924 Listed for Wet Locations  
 Meets NFPA 101 Life Safety Code, NEC, OSHA  
 ANSI/UL Classified for use in food service operations  
 California Energy Commission (CEC) Title 20 Compliant  
 NEMA 4X and IP66 Rated  
**Warranty:** Any component that fails due to a manufacturing defect is guaranteed for five years with a separate five year prorated warranty on the battery. The warranty does not cover physical damage, abuse or instances of uncontrollable natural forces. See the full Exitronix warranty document for detailed information.



**ORDERING INFORMATION Example: NXFX-1-WB-G-BL-G2**

Series	Style	Power Source	Legend Color	Finish	Options (Factory Installed)
NXFX	1 = Single-face	LB = AC Only	G = Green Legend	BL = Black	2CI1 <sup>1</sup> = 2-Circuit Input 120VAC
	2 = Double-face	WB = NiCad Battery	R = Red Legend	WH = White	2CI7 <sup>1</sup> = 2-Circuit Input 277VAC
<b>Notes</b>					G2 <sup>2</sup> = Self-test/Self-diagnostics
<sup>1</sup> LB Units only					TRH = Tamper-resistant Hardware
<sup>2</sup> WB Units only					

## CONSTRUCTION

The NXFX Series exit enclosure is made of UV-stable, reinforced polycarbonate coupled with a polycarbonate lens, corrosion-resistant hardware, and a molded gasket to provide protection for the equipment inside against ingress of solid foreign objects (dust) and water.

Stencil letters are 6" high with 3/4" stroke.

## ILLUMINATION

Illumination of the NXFX Series is achieved with high-output, long-lasting red or green LEDs exceeding UL 924 requirements for brightness and uniformity. An exclusive color matched diffuser eliminates hot spots and striations, providing optimal light output.

## ELECTRICAL

### Input

Dual-voltage input 120/277VAC @ 60Hz.

### Battery/Charger/Indicator (WB option only)

Maintenance-free 4.8 volt long-life, rechargeable nickel-cadmium batteries. Fully automatic solid-state, two rate charger initiates battery charging to recharge a discharged battery within 24 hours. The internal solid-state transfer switch automatically connects the internal battery to power the LED board for a minimum of 90 minutes of illumination during the loss of utility power. A bi-color LED indicator light alerts occupant on battery condition (Green-normal, Red-check battery).

### Test Button

The NXFX uses a touchless, magnetic test switch (non-AC models only) along with an LED light indicator for code compliance testing.

## INSTALLATION

The NXFX Series is supplied with a universal knockout pattern and gasket for watertight back mounting. The unit also comes with a polycarbonate canopy for ceiling or end mounting.

## OPTIONS

### Two-Circuit Operation (Option: 2C11 or 2C17)

Two-circuit operation features for emergency lighting allows the dual input of power sources for AC-only units (LB).

The purpose of this feature is to provide the compatibility of our emergency units in applications where inverters or alternate backup power sources are utilized.

### Tamper-Resistant Hardware (Option: TRH)

Tamper-resistant hardware adds an additional layer of protection to the unit, preventing unwanted access to the interior of the unit or removal of the lens.

## Guardian Self-Test/Self-Diagnostics (Option: G2)

The Guardian circuit continuously monitors the operating condition of the AC power, battery supply voltage, emergency lamp continuity and charging circuit.

The purpose of this option is to provide visual signaling in response to a fault at the EXIT sign battery and/or battery charger. If a failure is detected, visual status will occur immediately via the CHARGER LED and/or the BATTERY FAULT LED. The LED will stay illuminated until the fault is corrected.

The Guardian circuit also monitors the transfer circuit as well as performing automatic code-compliant testing. The Guardian circuit will perform a 30 second discharge and self-test every 30 days. A 60 minute discharge and self-test is performed every 6 months, and a 90 minute discharge and self-test is performed every 12 months.

Red LED	Unit Fault	Corrective Action
Steady	Battery Disconnected	Check Battery Connection
1 Blink	Electronics Failure	Check Battery Then Consult Factory
2 Blinks	Battery Failure	Check Battery Then Consult Factory
3 Blinks	N/A	N/A
4 Blinks	Emergency Lamp	Check Lamp Connections Then Consult Factory
5 Blinks	Remote Lamp	Check Remote Lamp Connections Then Consult Factory

## NEMA 4X Rated (Standard)

NEMA 4X rated fixtures are designed for outdoor applications. NEMA 4X rating ensures that the fixtures will withstand contact with falling dirt, moderate or jet-driven water, ice and corrosion. NEMA 4X fixtures are designed to perform in Hose-Down applications.

## IP66 Rated (Standard)

IP66 rating ensures that the product can be installed in outdoor applications where significant water or dust may come in contact with the fixture. IP66 rated fixtures are fixtures designed to perform in Hose-Down applications.

## UL-EPH Classified (Standard)

UL-EPH classification ensures that the equipment has been evaluated, tested, and classified to Environmental and Public Health Standards, and certified by ANSI/UL as complying with international commercial food equipment hygiene codes and requirements and that the product can be installed in food processing applications.

## CONFORMANCE TO CODES & STANDARDS

The NXFX Series is UL 924 Listed for Wet Locations and meets or exceeds the following: NEC requirements and NFPA 101.