

# EML7

## LED High Output Emergency Light

### Product Description

NICOR EML7 Series thermoplastic emergency lighting unit is a high output solution for higher mounting requirements. Designed with high output LEDs, the EML7 has exceptional light distribution and a maintenance-free nickel-cadmium battery for long life.

#### Construction

- Injection molded thermoplastic ABS housing
- Adjustable heads for aiming light where required:
  - Head tilt: +25° to -90°
  - Head rotation: 330°

#### Optical

- Custom lensing for accurate lighting distribution and control.

#### Electrical

- Operating temperature rating of 32°F to 104°F (0°C – 40°C)
- 6V, 4.5Ah Lead-Acid battery provides 90-minute emergency operation, recharges in 24 hours
- 120/277VAC Dual Voltage Operation, 60Hz input
- LED indicator light & self-test push button switch

#### LED

- 2x3pc LED lamps provide more than 700 lumens

#### Finish

- White unpainted thermoplastic housing

#### Installation

- Surface wall mounting plate with back entry knockout

#### Compliance

- cULus Listed under UL 924
- UL-94-V-0 Flame rating

#### Warranty

- 1-year limited system warranty standard
- Warranty does not cover product failure due to an overvoltage event (power surge)

### PRODUCT INFORMATION

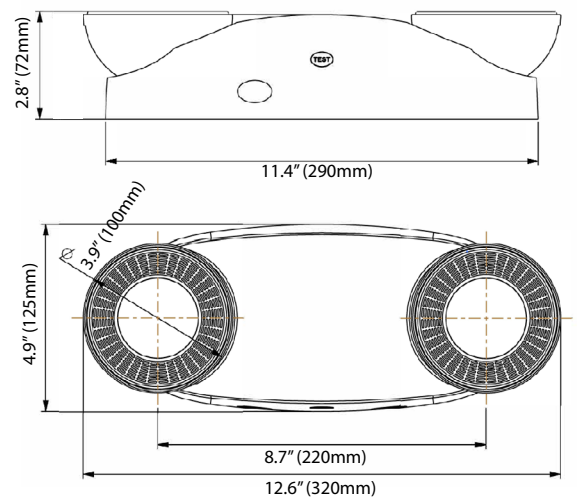
Input Voltage:	120/277 VAC
Power Draw:	3.5W
Emergency Battery:	90 Minutes

Project

Catalog

Type

Date



### Ordering Information

Example: EML71UNVWH

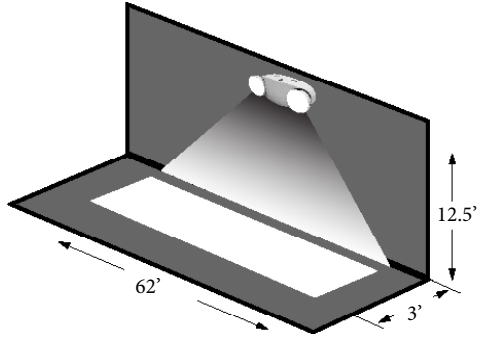
Series	Version	Voltage	Housing Color
EML7	1 (1.0)	UNV (120/277VAC)	WH (White)

Specifications and dimensions subject to change without notice

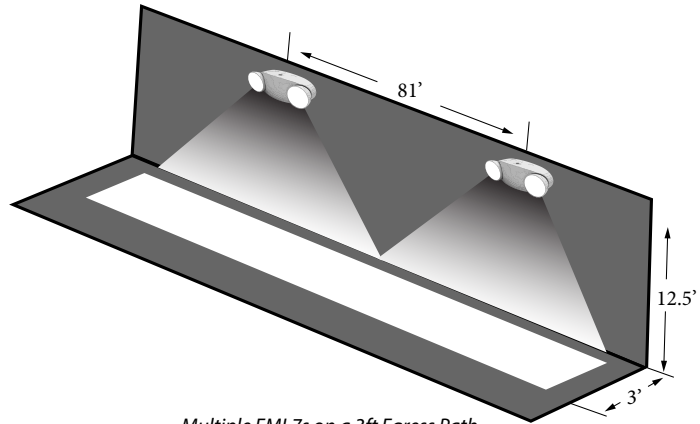
## Maximum Spacing Guidelines

Mounting Height	Single Luminaire		Multiple Luminaires		Notes
	6' Wide Hallway	8' Wide Hallway	6' Wide Hallway	8' Wide Hallway	
12.5	62'	54'	81'	75'	100' long hallway, 8' wide, 15' high. 80/50/20 reflectances

Meets the illumination requirements of NFPA101 - 1fc minimum and a min/max ratio of 40:1



Single EML7 on a 3ft Egress Path



Multiple EML7s on a 3ft Egress Path

**GENERAL PRODUCT WARRANTY.** Each NICOR product will be free from defect in materials and workmanship for a period of one (1) year from the date of delivery to the end-user. Powder Coat paint finish on products, other than natural aluminum or brass, will not exhibit cracking, peeling, excessive fading, or corrosion during the warranty period. Exceptions apply as defined in each NICOR product's specification sheets, which are incorporated by reference herein. Warranty does not cover improper installation, operation, alterations, power surges, overheating due to external conditions, or acts of nature including but not limited to lightning strikes.

**POLE WARRANTY.** Each NICOR Pole will be free from defect in materials and workmanship for a period of (1) year from the date of delivery to the end-user. Powder Coat paint finish on products, other than natural aluminum or brass, will not exhibit cracking, peeling, excessive fading, or corrosion during the warranty period. Poles must be installed by a properly insured and licensed contractor, using the supplied anchor bolts and mounting templates. Using a pole product in any manner other than as disclosed in the Application Specification automatically voids the warranty and may cause failure resulting in injury, death, or significant property damage.

ALL NICOR WARRANTIES APPLY ONLY TO NICOR PRODUCTS THAT HAVE BEEN PURCHASED FROM AN AUTHORIZED NICOR DISTRIBUTOR; WHO PURCHASED THE PRODUCT DIRECTLY FROM NICOR; THE PRODUCT WAS NEW AND IN AN UNOPENED NICOR PACKAGE AT THE TIME OF INSTALLATION; AND WAS INSTALLED BY A