

# SureFit™ v3

## Ultra Slim Surface Mount LED Downlight

### Product Description

The newest version of the SureFit™ Ultra Slim Surface Mount LED Downlight features increased lumen output and efficiency while keeping the same installation compatibility. The DLF will fit most standard 4/O, 4" non-metallic new construction or remodel J-Boxes. Simply mount the fixture directly to the J-Box using the keyhole mounting slots and two screws. Detachable round trims and square steel trims offer a seamless finish in both round and square apertures to enhance the visual aesthetic of any living space. The NICOR SureFit™ is the perfect solution for residential and light commercial spaces including living rooms, bedrooms, home theaters, corridors, office, retail and more.

#### Construction

- Stamped aluminum housing routes heat away from electrical components
- Custom designed, integrated driver allows for use in metallic and non-metallic 4" and 4/O J-Boxes
- Detachable round steel trim
- Optional square die cast aluminum trim

#### Optical System

- Polystyrene diffuser creates uniform distribution without sacrificing lumen output
- Binned within 4-step MacAdams with  $\text{duv} < \pm 0.003$
- Utilizes high performing LEDs with 90+ CRI and an  $R9 > 50$

#### Electrical

- Custom slim driver minimizes installation height
- Input voltage of 120VAC, 60Hz
- Dimmable to less than 5% with compatible leading edge (TRIAC) and trailing edge (ELV) dimmers

#### Finish

- White powder coat finish standard
- Optional trims available in Black, Nickel, and Oil-Rubbed Bronze

#### Mounting and Installation

- Easy installation in most 4/O and 4" non-metallic new construction and remodel J-Boxes (a volume of 20in<sup>3</sup> or greater is recommended)
- Removable trim allows for easy mounting while providing a seamless trim finish
- Fixture mounts directly to J-Boxes with two screws
- Keyhole slots allow quick and easy installation
- Three three-port poke-in connectors included
- Operating temperature of 0° to 104°F (-18°C to 40°C)

#### Listings

- LM-79, LM-80 testing performed in accordance with IESNA standards
- UL/cUL1598 Listed for wet locations
- Suitable for use in closets: Compliant with NFPA® 70, NEC® Section 410.16 (A)(3) and 410.16 (C)(5)
- RoHS Compliant
- Meets FCC Part 15, Subpart B, Class B standards for conducted and radiated emissions
- LED lumen maintenance: L70(9k)>54,000 hrs

#### Warranty

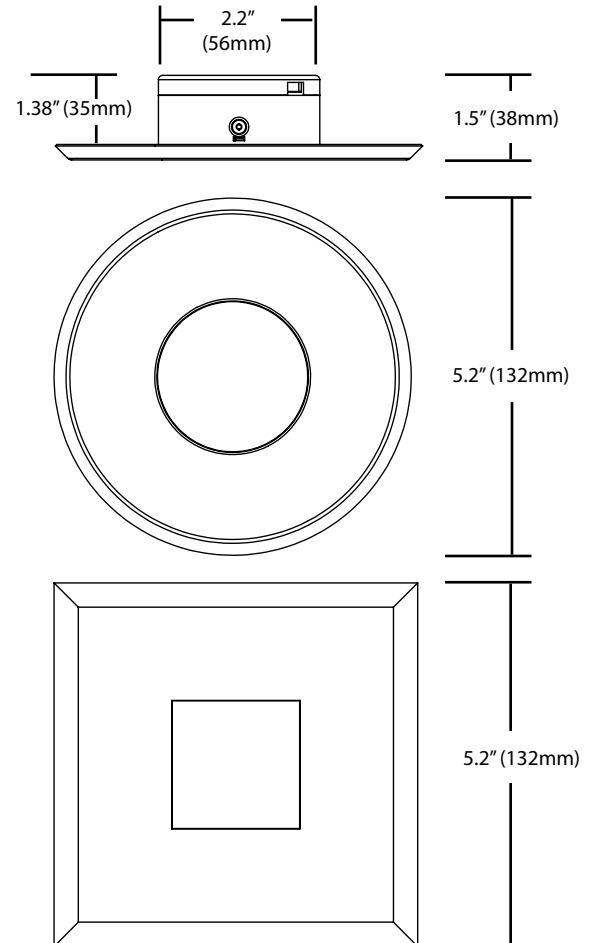
- 5-year limited system warranty standard
- Warranty does not cover product failure due to an overvoltage event (power surge)
- For installations where power surge may be possible, NICOR recommends installing additional surge protection at the electrical distribution panel

Project \_\_\_\_\_

Catalog \_\_\_\_\_

Type \_\_\_\_\_

Date \_\_\_\_\_

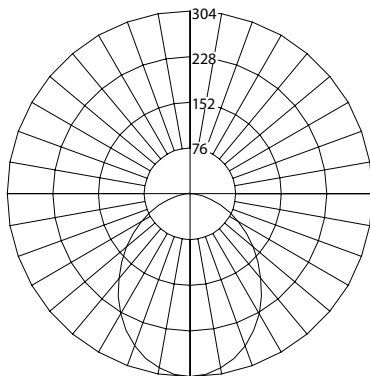


Pat. No.: US 10,508,783

## Photometric Data

### DLF 2700K

|                             |          |
|-----------------------------|----------|
| Input Voltage (VAC)         | 120V     |
| System Level Power (W)      | 10.1     |
| Delivered Lumens* (Lm)      | 706      |
| System Efficacy (Lm/W)      | 69.9     |
| Correlated Color Temp (K)   | 2689     |
| Color Rendering Index (CRI) | 92 R9=52 |
| Beam Angle                  | 94°      |
| Spacing Criteria            | 1.16     |



#### Intensity Summary (Candle Power)

| Angle | Mean CP |
|-------|---------|
| 0     | 304     |
| 5     | 301     |
| 15    | 284     |
| 25    | 251     |
| 35    | 208     |
| 45    | 160     |
| 55    | 115     |
| 65    | 73      |
| 75    | 39      |
| 85    | 8       |
| 90    | 1       |

#### CCT Data Multiplier

|              |       |
|--------------|-------|
| DLF301203KWH | 1.020 |
| DLF301204KWH | 1.058 |
| DLF301205KWH | 1.071 |

#### Cone of Light Tabulation

| Mounted height<br>(Feet) | Footcandles<br>Beam Center | Diameter<br>(Feet) |
|--------------------------|----------------------------|--------------------|
| 4                        | 18.98                      | 7.4                |
| 6                        | 8.43                       | 11.1               |
| 8                        | 4.74                       | 14.8               |
| 10                       | 3.04                       | 18.5               |
| 12                       | 2.11                       | 22.1               |

#### Zonal Lumen Summary

| Zone   | Lumens | % of Luminaire |
|--------|--------|----------------|
| 0-30   | 224    | 31.7%          |
| 0-40   | 354    | 50.2%          |
| 0-60   | 582    | 82.4%          |
| 0-90   | 706    | 100%           |
| 90-180 | 0      | 0%             |
| 0-180  | 706    | 100%           |

Fixture tested per LM-79-08. Photometric data is of the performance of a representative fixture with round white trim. Results may vary in the field.

#### Performance Data

| Model Number | Lumens* | Watts | Lumens/Watt |
|--------------|---------|-------|-------------|
| DLF301202KWH | 706     | 10.1  | 69.9        |
| DLF301203KWH | 720     | 10.1  | 71.3        |
| DLF301204KWH | 747     | 10.1  | 74.0        |
| DLF301205KWH | 756     | 10.1  | 74.9        |

\*With round white trim

#### Recommended Dimmers\*

Lutron Diva DVCL-153P  
 Leviton IPL06  
 Legrand Adorne SoftTap  
 Lutron Caseta PD-6WCL  
 Lutron Skylark SCL-153P

\*Not a complete list. Check compatibility before installation.

#### Housing Compatibility\*

| 4" O Metallic            | 4" Non-Metallic     |
|--------------------------|---------------------|
| Any of depth $\geq$ 1.5" | Carlton B620 series |
|                          | Arlington f426      |
|                          | Legrand S120 Series |
|                          | Allied 935X Series  |

## Ordering Information

Example: DLF301203KWH

| Series     | Version   | Voltage           | CCT's              | Trim Color        |
|------------|-----------|-------------------|--------------------|-------------------|
| <b>DLF</b> | <b>30</b> | <b>120</b> (120V) | <b>2K</b> (2700 K) | <b>WH</b> (White) |
|            |           |                   | <b>3K</b> (3000 K) |                   |
|            |           |                   | <b>4K</b> (4000 K) |                   |
|            |           |                   | <b>5K</b> (5000 K) |                   |

Specifications and dimensions subject to change without notice.

### Accessories

Accessories sold separately

|                               |                  |
|-------------------------------|------------------|
| Round Nickel Trim             | DLF-2-TRIM-RD-NK |
| Round Oil-Rubbed Bronze Trim  | DLF-2-TRIM-RD-OB |
| Round Black Trim              | DLF-2-TRIM-RD-BK |
| Round White Trim              | DLF-2-TRIM-RD-WH |
| Square Nickel Trim            | DLF-2-TRIM-SQ-NK |
| Square Oil-Rubbed Bronze Trim | DLF-2-TRIM-SQ-OB |
| Square Black Trim             | DLF-2-TRIM-SQ-BK |
| Square White Trim             | DLF-2-TRIM-SQ-WH |

\*DLFv2 Trims are compatible with the DLFv3