

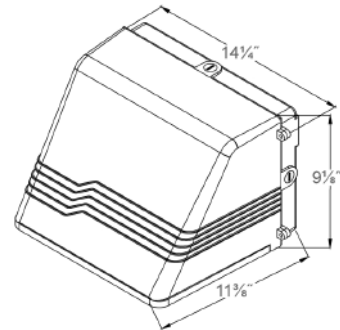
The AEI WPC WallPack is perfect for all building exterior lighting applications, including entry, hallways, tunnels and docks. The WPC's array of LEDs provide brilliant, uniform lighting for all types of commercial and industrial outdoor and indoor applications. The WPC's unparalleled energy savings make it the one of our best options for exterior environment lighting needs.

### WPC WALLPACK

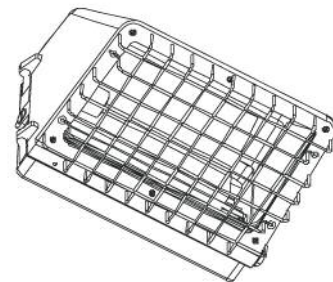
for BUILDING EXTERIORS + DAMP/WET LOCATIONS



Front & Side View Dimensions



Bottom View with Guard



#### FEATURES

- Utilizes our USA-Made AEI LED Strip Modules
- Aluminum housing and thermal transfer materials ensure premium lumen maintenance
- High lumen LED output with multiple lumen output options
- Available in multiple color finishes
- 10-Year Limited Warranty on all fixture components

#### ELECTRICAL

- Universal input voltage 120-277 VAC with 347-480 VAC available. Consult AEI.
- 0-10V dimming option available
- Occupancy sensor, integration, photocell & other control system options for added savings available. Consult AEI for details.

#### MOUNTING OPTIONS

- Yoke and swivel bracket options
- Vandal guard, wire guard or baffle options

#### LIGHT ENGINES

- USA-Made AEI LED modules provide consistent color, high CRI and superb lumen maintenance
- AEI LED modules have efficacies reaching up to 125 lm/w with 85+ CRI
- Lumen ranges per model:
  - 2000 lumens for the WPC-20W
  - 3000 lumens for the WPC-30W
  - 4000 lumens for the WPC-40W
  - 6000 lumens for the WPC-60W
- L70 lifetime of >75,000 hours when operating within specified temperatures
- Meets Dark Sky Requirements

#### APPLICATIONS

- Commercial, Industrial & Retail Building Exteriors
- School & University Building Exteriors
- Parking garages & areas
- Building entrances, perimeters & walkways
- Loading bay & dock exteriors
- Underpasses & subterra environments
- Recreation Areas

#### HOUSING & LENS

- Die-cast aluminum housing w/ textured, bronze powdercoat finish
- UL-Rated for damp and wet locations
- Designed for superior heat dissipation to ensure unparalleled lumen maintenance & long, usable life
- Tempered flat, clear glass lens & aluminum reflector standard
- Diffusing options available. Consult AEI.

#### FINISH

- Durable, textured powder-coat finish over a chromate conversion coating provides protection from extreme environments
- Standard bronze housing finish. A wide variety of colors and finishes available. Consult AEI for all finish options.



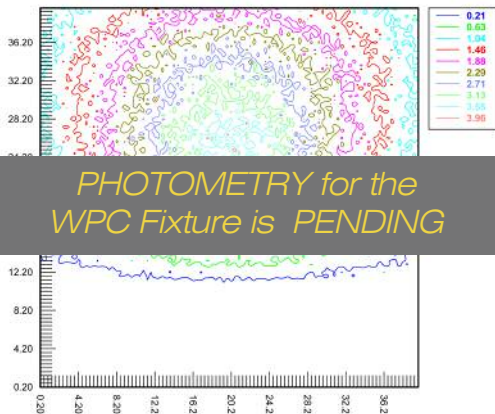
AEI LIGHTING

# WPC WALLPACK

for BUILDING EXTERIORS + DAMP/WET LOCATIONS

## PHOTOMETRY

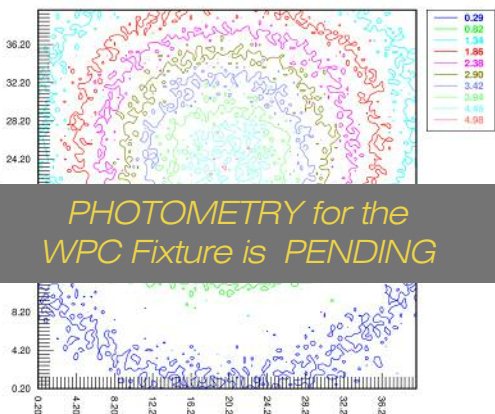
ILLUMINANCE PLANE CONTOUR PLOT - 60W



*PHOTOMETRY for the WPC Fixture is PENDING*

Local X

ILLUMINANCE PLANE CONTOUR PLOT - 60W - SHIELDED



*PHOTOMETRY for the WPC Fixture is PENDING*

Local X

## LIGHTING FACTS

Advanced Energy Ideas	
<b>LED lighting facts®</b> A Program of the U.S. DOE	
Light Output (Lumens)	5528
Watts	58.4
Lumens per Watt (Efficacy)	94
Color Accuracy Color Rendering Index (CRI)	83

*The Lighting Facts for the WPC Fixture is PENDING*

LED Lumen Maintenance Projection at 25,000 Hours at 25°C Ambient*	91.81%
Warranty**	Yes

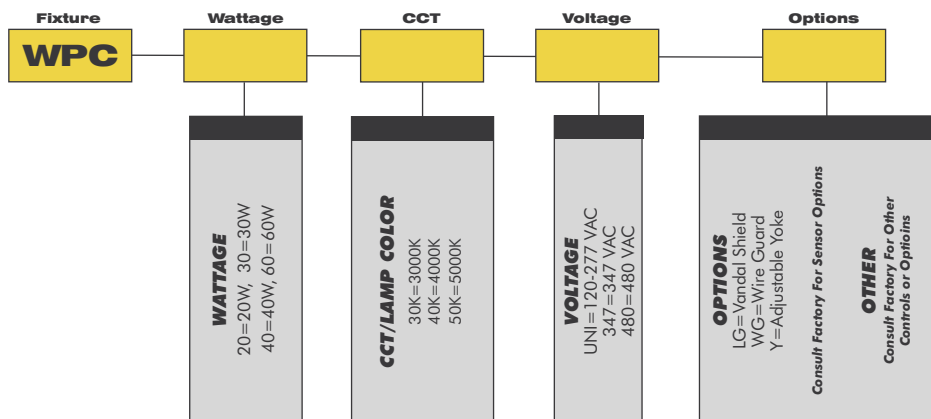
All results, except LED Lumen Maintenance, are according to IESNA LM-79-2008: Approved Method for the Electrical and Photometric Testing of Solid-State Lighting. The U.S. Department of Energy (DOE) verifies product test data and results.

\* Based on TM-21 projections for the light source.

\*\* See [www.lightingfacts.com/products](http://www.lightingfacts.com/products) for details.

Registration Number: -AR7TE4 (3/20/2014)  
Model Number: TRK-2X4-9U-2-4LC-50K-UNI  
Type: Retrofit Kit - Troffer/Grid Ceiling

## ORDERING GUIDE



**10-YEAR LIMITED WARRANTY**  
VISIT [AEILighting.com](http://AEILighting.com) for Details  
**480-733-6594**



**AEI LIGHTING**

**AEI LED WPC WALLPACK**

FOR BUILDING EXTERIORS + DAMP & WET LOCATIONS