

FEATURES & SPECIFICATIONS

INTENDED USE — The OneUp™ recessed direct-wire LED downlight includes integrated junction box, trim, pre-installed non-metallic bushings and 3-port push wire quick connectors in one package. The OneUp is the most economical means to create a well lit environment with exceptional energy efficiency and near zero maintenance.

CONSTRUCTION — Aluminum die cast, square baffle trim. Integrated galvanized steel junction box with captive door for easy access. Suitable for daisy chaining (pulling wires). Available in 3000K color temperature LEDs.

OPTICS — Square baffle recesses optical system into the ceiling to prevent glare and provide a traditional look. Diffused lens provides even light distribution for general illumination, equivalent to 65W incandescent flood lamp. Wide flood beam angle at >90°. CRI >90. Maintains at least 70% light output for 50,000 hours.

INSTALLATION — Tool-less installation. Secure trim retention with two side-mounted spring clips for easy installation in plaster, sheet rock, or plywood ceilings. The integrated junction box - with pre-installed non-metallic bushing - allows non-metallic cable to be fed through without the hassle of knockouts. The captive junction box door provides easy access to pre-installed 3-port push wire quick connectors for straight-forward wiring. Rated for Type IC installations. Maximum of 4 No. 12AWG through branch circuit conductor suitable for 90°C permitted in box. Ground wire provided.

ELECTRICAL SYSTEM — LED module with high-efficiency on board driver. Dimming down to 10%. For compatible dimmers, refer to: Compatible dimmers chart.

Actual wattage may differ by +/-5% when operating at 120V +/-10%.

LISTINGS — ETL certified to US and Canadian safety standards. Can be used to comply with California Title 24 Part6 High Efficacy LED Light Source Requirements. WSEC ASTEM E283 for Air-Tight rated with gasket or caulking between fixture trim and ceiling. ENERGY STAR® certified. Wet location listed*. Indoor damp location only for items in Brushed Nickel finish.

WARRANTY — 5-year limited warranty. Complete warranty terms located at:

www.acuitybrands.com/support/warranty/terms-and-conditions

Note: Actual performance may differ as a result of end-user environment and application.

All values are design or typical values, measured under laboratory conditions at 25 °C.

Specifications subject to change without notice.

Specifications

Aperture:	4-1/2" (112.0)
Overlap Trim:	7-1/4" (185.0)
Height:	4-5/8" (118.7)
Ceiling Opening:	6-1/2" (165)
Min Ceiling Thickness:	1/2" (12.7)
Max Ceiling Thickness:	1-1/2" (38.1)

All dimensions are inches (millimeters).

Catalog Number
Notes
Type

Direct-Wire LED Recessed Downlight

6JBK SQ

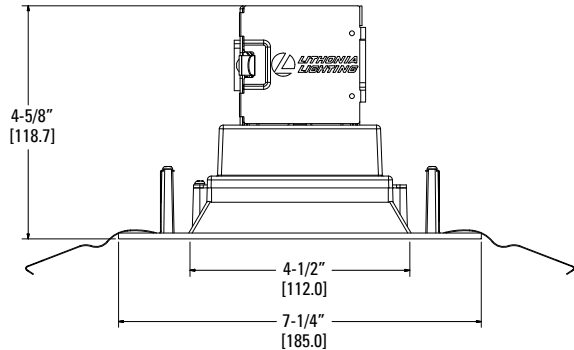
IC
Remodel



Brushed nickel



Oil-rubbed bronze



ORDERING INFORMATION

Ci Code	Catalog Number	Description
*250KTN	6JBK SQ 27K 90CRI MW M6	Canless Kit 6" Baffle, Square, 2700K, 10.7W, 740L, 90 CRI, Matte white
*250KTP	6JBK SQ 27K 90CRI ORB M6	Canless Kit 6" Baffle, Square, 2700K, 10.7W, 740L, 90 CRI, Oil Rubbed Bronze
*261RJT	6JBK SQ 30K 90CRI MW M6	Canless Kit 6" Baffle, Square, 2700K, 10.7W, 770L, 90 CRI, Matte white
*261RJW	6JBK SQ 30K 90CRI BN M6	Canless Kit 6" Baffle, Square, 2700K, 10.7W, 770L, 90 CRI, Brushed Nickel
*261RJV	6JBK SQ 30K 90CRI ORB M6	Canless Kit 6" Baffle, Square, 2700K, 10.7W, 770L, 90 CRI, Oil Rubbed Bronze
*250KTU	6JBK SQ 40K 90CRI BN M6	Canless Kit 6" Baffle, Square, 2700K, 10.7W, 790L, 90 CRI, Brushed Nickel
*250KTT	6JBK SQ 40K 90CRI ORB M6	Canless Kit 6" Baffle, Square, 2700K, 10.7W, 790L, 90 CRI, Oil Rubbed Bronze

Accessories: Order as separate catalog number.	
OUBK643 PAN U	Universal Construction Pan



Universal Construction Pan

Notes

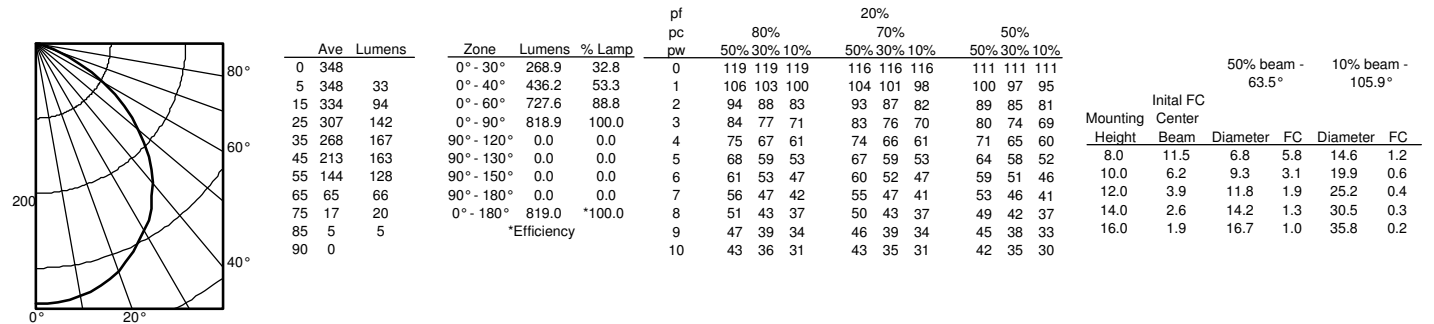
- 1 Total System Delivered Lumens.
- 2 Indoor damp location only for items in Brushed Nickel Finish.

6JBK SQ OneUP™ Direct Wire LED

PHOTOMETRICS

Distribution Curve	Distribution Data	Output Data	Coefficient of Utilization	Illuminance Data at 30" Above Floor for a Single Luminaire
--------------------	-------------------	-------------	----------------------------	--

6JBK SQ 30K, 3000 K LEDs, input watts: 10.7, delivered lumens: 819.7, LM/W=76.60, test no. ISF 35025



ENERGY DATA

6" SQUARE ENERGY DATA				
Color Temperature	2700K	3000K	4000K	5000K
Lumens	740	770	790	800
CRI	90			
Lumens/Watt	69.16	71.96	73.83	74.77
Min. starting temperature	-18°C (-0°F)			
EMI/RFI	FCC Title 47 CFR, Part 15, Class B			
Sound rating	Class A Standards			
Input voltage	120V AC			
Min. power factor	0.9			
Input frequency	50/60HZ			
Rated wattage	10.7W			
Input power	10.7W			
Input current	0.09A			

DIMMER COMPATIBILITY

COMPATIBLE DIMMERS				
Lutron	Leviton	Pass & Seymour	Synergy/Leviton	Sensorswitch
DV-603P-LA	6633-PA	HCL453PTCCCV6	ISD 600 I 120 / IPI06	nSP5 PCD 2W
CT-603PR-WH	6615-P	LS 603 PWV	ISD 1000 I 120 / IPI10	nSP5 PCD ELV 120
DVELV-300P			ISD 400 ELV 120 / IPE04	
300P SELV				
DV-600P				
NTELV-300P				
NLV-600				
Caseta PD-6WCL dimmer (requires Lutron Smart Bridge)				
L-BDG2-WH which is sold separately from the dimmer)				

LIGHTING FACTS

Lithonia Lighting

Light Output (Lumens) 770
Watts 10.7
Lumens per Watt (Efficacy) 71.96

Color Accuracy
 Color Rendering Index (CRI) 90

Light Color
 Correlated Color Temperature (CCT) 3000 (Bright White)

Warm White | Bright White | Daylight
 2700K | 3000K | 4500K | 6500K

All results are according to IESNA LM-79-2008: Approved Method for the Electrical and Photometric Testing of Solid-State Lighting. The U.S. Department of Energy (DOE) verifies product test data and results.

Visit www.lightingfacts.com for the Label Reference Guide.

Registration Number: NJSM-2LO7CL (7/20/2017)
 Model Number: 6JBK SQ 30K 90CRI
 Type: Luminaire - Downlight