

LED STAIRWELL FIXTURE

DESCRIPTION

The LED Stairwell Fixture is a modern, energy-efficient, linear lighting solution specifically designed for limited use areas such as stairwells. Equipped with a microwave occupancy sensor and daylight sensor, the fixture reduces energy use by automatically adjusting its output based on occupancy and available light in the space.

Designed with versatility in mind, the fixture includes adjustable color temperature as well as adjustable wattage, allowing the installer to fine-tune the fixture to better meet the needs of the application.

The fixture can be surface, suspension, or t-grid mounted and its lightweight, two-piece design makes installation quick and easy, reducing overall project time.



FEATURES

- Integrated sensors for occupancy sensing and daylight harvesting
- Adjustable color temperature (3500K, 4000K, 5000K)
- Adjustable light output/wattage
- 130 lumens per watt (lm/W)
- DLC Premium
- ETL rated for damp locations
- 10-year warranty
- 100,000-hour rated life (@L70)
- 0-10V dimming (0% minimum)
- Polycarbonate frosted lens with translucent end caps

SPECIFICATIONS

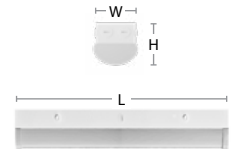
- Input voltage: 120-277V
- Operating temp: -4°F – 113°F
- Beam angle: 120°
- CRI: >80
- Lumens per Watt: 130
- Surge protection: 2KV
- Power factor: > 0.9
- THD (Max): <20
- Input frequency: 50/60
- IP rating: 20
- Average rated life (@L70): 100,000-hours
- Warranty: 10-years
- ETL listed: Yes
- Location rating: Damp
- DLC rating: Premium
- RoHS Compliant: Yes

APPLICATIONS

- Commercial
- Industrial
- Retail
- Manufacturing
- Warehouse
- Display
- Corridors
- Storage
- Stairways

DIMENSIONS

SIZE	LENGTH	WIDTH	HEIGHT	WEIGHT
4'	48.04"	3.26"	2.95"	3.75 lbs



MOUNTING

- Surface
- Suspension
- T-grid (standard or angled for wall wash applications)

CERTIFICATIONS



ORDERING

Listed below are the included wattage settings and lumens for each model number.

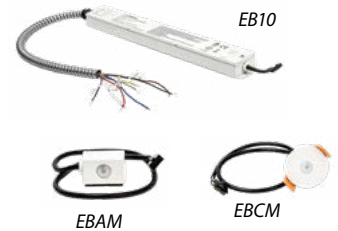
ROOT MODEL #	DESCRIPTION			ORDERING CODE	DESCRIPTION	USAGE
SWFS4	4' LED Stairwell Fixture					
EXT. MODEL #	WATTS	LUMENS	CCT			
SWFS43530	30	3,900	3500	SFAM02	Suspension Mount Kit	Suspend Strip Fixtures from ceiling surface. Note: Two kits needed for 8' assembly. Cable is 5' in length. Weight rating is 25 lbs.
SWFS44030	30	3,900	4000	SCR053	Sensor Remote Control	Used to program sensor sensitivity and settings from the ground.
SWFS45030	30	3,900	5000	EB10	10W Emergency Battery Backup	Supplies battery backup to an individual fixture for up to 90 minutes. Must be ordered with indicator module (EBCM or EBAM).
SWFS43540	40	5,200	3500	EBCM	Ceiling-mounted Indicator Module	In grid ceiling applications, this unit connects to the EB10 and is recess mounted in an adjacent panel where it displays the unit's current status of operation.
SWFS44040	40	5,200	4000	EBAM	Adhesive-mounted Indicator Module	In drywall/open ceiling applications, this unit connects to the EB10 and is mounted via adhesive, where it displays the unit's current status of operation.
SWFS45040	40	5,200	5000			
SWFS43550	50	6,500	3500			
SWFS44050	50	6,500	4000			
SWFS45050	50	6,500	5000			



SFAM02



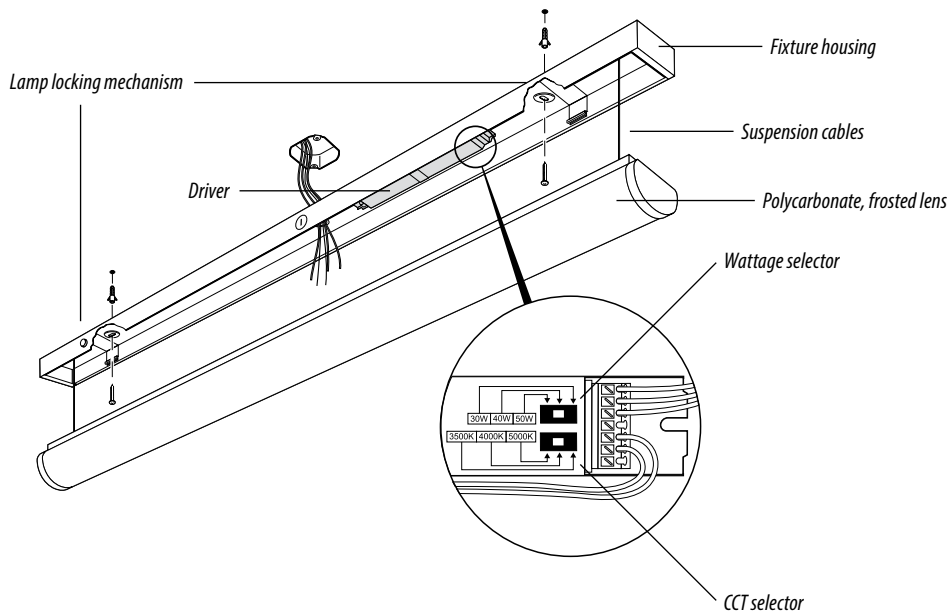
SCR053



EBAM

EBCM

OVERVIEW AND INSTALLATION



The LED Stairwell Fixture includes a built-in occupancy sensor and daylight sensor. Settings for each can be adjusted via remote control (part # SCR053). Below are the default settings that will be initially active:

- Sensitivity: 100%
- Hold time: 10 seconds
- Daylight: 30 lux
- Stand-by level: 30%
- Stand-by time: 60 minutes

HAVE QUESTIONS?

Our Customer Service team can help. Call us at 800-860-3392 or send an email to customerservice@litetronics.com