

## EMERGENCY BATTERY BACKUP

for Litetronics LED High Bays

### DESCRIPTION

This battery backup unit delivers emergency power to a wide range of Litetronics standard LED High Bays. In the event of a power outage, it supplies the connected fixture with 90-minutes of light, enabling sufficient visibility for occupants to safely exit the space.

This unit is intended to support higher output fixtures, providing enough power for the fixture to meet the standard footcandle requirements for emergency lighting. Automatic monthly self-testing ensures that the fixture is always ready, and the paired indicator module gives a visual confirmation of the operational status.



EB20

### FEATURES

- Provides 90 minutes of emergency light during power loss
- Automatic monthly self-testing
- Manual testing via remote control (optional)
- Indicator module provides operational status
- ETL approved for damp locations
- 50,000-hour rated life
- 5-year warranty



EBAM



TR01

### APPLICATIONS

- Emergency battery backup

### DIMENSIONS

- 8.54" x 5.74" x 1.34"

### SPECIFICATIONS

- Average rated life: 50,000 hours
- Warranty: 5 years
- Operating temperature: 32°F to 122°F
- Output power: 20 Watts
- Operation time: 90 minutes
- Input voltage: 120-277V
- Input frequency: 50/60 Hz
- Recharge time: 24 hours
- Weight: 2.12 lbs.
- Location rating: Damp
- ETL listed: Yes
- RoHS compliant: Yes

### CERTIFICATIONS



## ORDERING

Each EB20 unit must be ordered with an indicator module, which display the unit's current status of operation.



EB20



EBAM

TR01



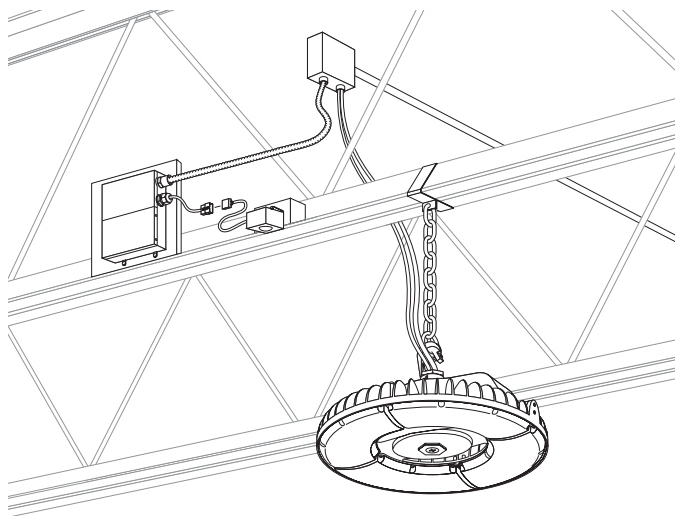
MODEL #	DESCRIPTION	WATTS	VOLTS	OPERATING TIME
EB20	20W Emergency Battery Backup for LED High Bays.	20	120-277	90 minutes

MODEL #	DESCRIPTION	USAGE
EBAM	Adhesive-mounted Indicator Module	This unit is used in drywall/open ceiling applications. It connects to the EB20 and is mounted via adhesive to the side of the fixture, where it displays the unit's current status of operation.
TR01	Test remote for integrated EBB	Test and demo EBB functionality. One remote will control all EBB equipped units.

## INDICATOR MODULE MOUNTING

### ADHESIVE MOUNTED

In an open ceiling application, the EB20 and indicator module are mounted close to the fixture and junction box, with the indicator module attached via adhesive to the support beam where it will display the unit's current status of operation.

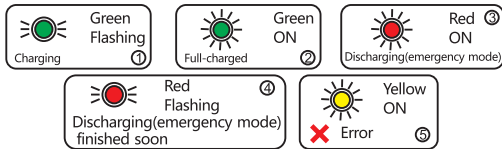


## OPERATION

- Fixtures will operate normally when power is available. When an outage occurs, the fixture will switch to battery backup, delivering power to the fixture for up to 90 minutes.
- If the EB20 battery runs out, the fixture will turn off until power is restored. Once restored, the EB20 battery will begin charging.
- Each indicator module option will display the current status of the unit; a green light indicates a full charge and a red light indicates the unit is currently charging.
- The EB20 includes automatic monthly and annual self-testing functionality. If a problem is detected, a yellow light will appear.
- Testing can also be done via remote control. Press the TEST button on the remote and the fixture will enter into emergency operation for three seconds, then resume normal operation.

### INDICATOR MODULE LIGHT REFERENCE GUIDE

- Green/flashing = Charging
- Green/solid on = Fully charged
- Red/solid on = Discharging/emergency mode
- Red/flashing = Discharging with limited battery life remaining
- Yellow/solid on = Error. Contact Litetronics for troubleshooting



### TESTING

- The fixture includes an automatic monthly self-testing function, which operates at 30-day intervals for 5 minutes and 360-day intervals for 90 minutes. During testing, the red indicator light will remain on.
- Additional testing and demo functionality is available via remote control, part # TR01 (sold separately).

## COMPATIBILITY

The EB20 is compatible with Litetronics LED fixtures using greater than 80W. All fixtures must also include 0-10V dimming. Below is a complete list of Litetronics compatible fixtures.

LED HIGH BAY PL	LED HIGH BAY SL	LED LINEAR HIGH BAY	LED NSF HIGH BAY	LED HAZARDOUS LOCATION
HBC115WXXDLP	HBS100B2XXDLP	LHB88UR2XXDLP	HBF150W7XXDLP	HBE150B150DLP
HBC175WXXDLP	HBS150B250DLP	LHB112UR2XXDLP		
HBC115XX		LHB148US2XXDLP		
		LHB88		
		LHB112		
		LHB148		

**PLEASE NOTE:** When used with a sensor-equipped fixture, the sensor settings will remain active, overriding the EB20, and cause the fixture to dim or turn off based on it's occupancy settings. This is not ideal for an emergency situation and may not meet code requirements. We recommend that the EB20 is used on a fixture that does not include occupancy sensing or daylight harvesting.

## HAVE QUESTIONS?

Our Customer Service team can help. Call us at 800-860-3392 or send an email to [customerservice@litetronics.com](mailto:customerservice@litetronics.com)