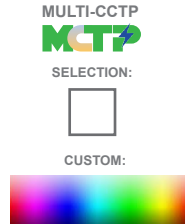


LFX-SM SERIES Outdoor Lighting

LFX-SM-10-30W-MCTP-KN-WH

WESTGATE
THE FUTURE IS HERE...AND IT'S QUITE BRIGHT!

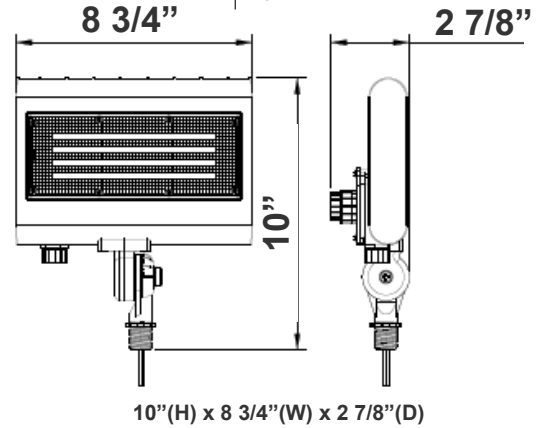


Customer Name: _____

Project Name: _____

Note: _____

Type: _____



Ideal for general site lighting, alleys, loading docks, doorway, pathway, and parking areas.

Features

- DLC Premium & LED High-Lumen Floor lights
- Solid State Lighting Technology for Long Life
- No Maintenance Needed and High-Efficiency
- 7-Year Warranty
- 70,000 Hours Rated Life
- Optic Lens Type: III
- Multi-CCT Power - The Switch is on the Bottom of the Fixture

Technical Specifications

Electrical:

- Voltage: 120~277V AC/50~60 Hz
- Wattage: 10W/ 15W/ 20W/ 30W
- Power Factor: >0.9
- Efficacy: 130 LPW

Mechanical:

- Die-cast Aluminum Housing with Powder Coat Finish (White Finish)
- LED: Philips Lumileds Luxeon 2835 High Flux LED
- Solid State Lighting technology for long life, no Maintenance needed and High-Efficiency
- High Conductive Aluminum LED Board
- 90° Adjustable 1/2" Knuckle Mount
- IP Rating: IP65
- Operating Temperature: -40°F to 104°F
- Suitable for Wet Locations

Lighting:

- Dimming: 0~10V Dimmable
- Optic Lens Type: III
- Cord type: 13" #18 AWG stranded wires
- Multi-CCT Power - The Switch is on the Bottom of the Fixture
- Total Lumens: 3900LM Max.
- Color Temperature: 3000K/ 4000K/ 5000K/ 5700K
- Color Rendering Index: ≥ 82
- Beam Angle: 120°X 90°

Applications:

- Ideal for general site lighting, alleys, loading docks, doorway, pathway and parking areas.
- Replace existing HID flood lights/ wall packs

Other Models:

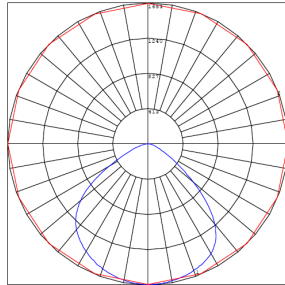
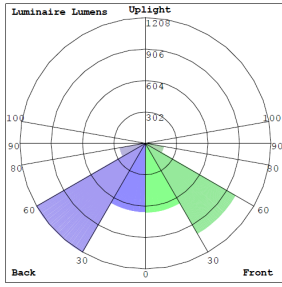
• 30W | 3900LM | LFX-SM-10-30W-MCTP-KN-SV • 30W | 3900LM | LFX-SM-10-30W-MCTP-KN • 30W | 3900LM | LFX-SM-10-30W-MCTP-BK



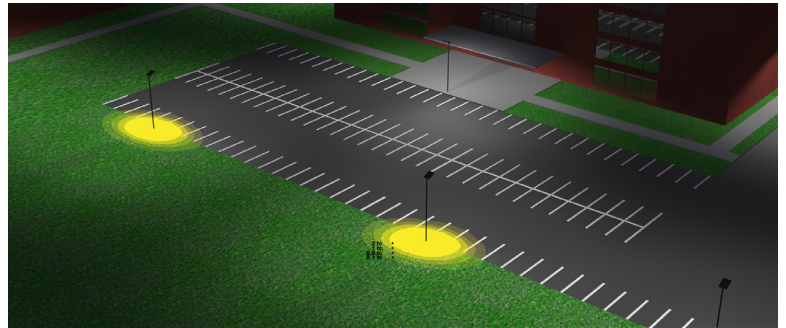
Phone: (877) 805-2252 | Fax: (877) 805-2252
www.westgatemfg.com | www.westgatecontrols.co



Photometrics: LFX-SM-10-30W-MCTP-KN-WH



BUG Rating: B2-U0-G1



Area 40'x 50' Mounting Height: 20'

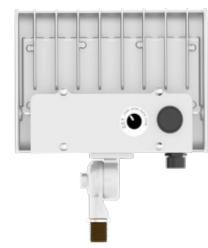
Other Views:



Side View



Front View



Back View

Performance Table: LFX-SM-10-30W-MCTP-KN-WH

MODEL NO.	Wattage	Voltage	Lumens	Color Temp.	BUG Rating	LPW
LFX-SM-10-30W-MCTP-KN-WH	10W	120~277V	1210LM	3000K 4000K 5000K 5700K	B2-U0-G1	130
			1250LM			
			1280LM			
			1280LM			
	15W		1800LM			
			1880LM			
			1930LM			
			1930LM			
	20W		2340LM			
			2400LM			
			2500LM			
			2500LM			
			3830LM			
	30W		3880LM			
			3880LM			
3880LM						
3900LM						



Sample Ordering

Model **Size** **Min.Wattage** **Max.Wattage** **Color Temp.** **Mount** **Housing**
 LFX - SM - 10 - 30W - MCTP - KN - WH

Accessories Options

Blank = No Option For Accessories

WRC-3-BRZ =Weatherproof cover with three(3) 1/2" hubs

ACCESSORIES AND MOUNTING OPTIONS



WRC-3-BRZ
Weatherproof cover with
Three
(3) 1/2" hubs
(Can be painted)



B-41
(Can be painted)



Mounts to landscape
post
or any 1/2" hub



Fully adjustable 1/2"
threaded knuckle for aiming
versatility

Color Options: Custom Color Available

Black Silver White **Dark Bronze** Green Red Yellow
Default color



Example:

1. LFX-SM-10-30W-MCTP-KN-WH

(For LFX 10-30W MCTP fixture 120V-277V)

2. LFX-SM-10-30W-MCTP-KN-WH
WRC-3-BRZ

(For LFX 10-30W MCTP fixture 120V-277V)
(Weatherproof cover with three(3) 1/2" hubs)

