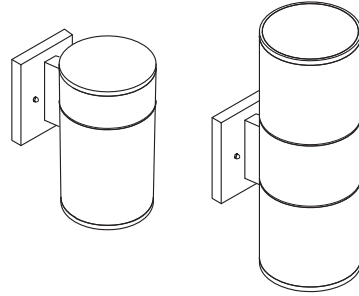
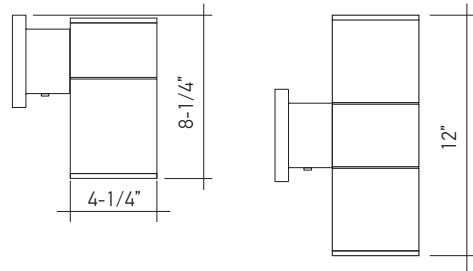
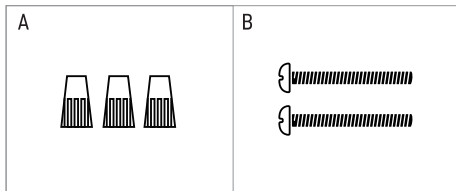
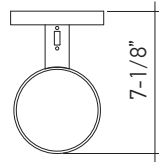


LED Outdoor Wall Light Cylinder Round offers a superior option for lighting building exteriors. This energy efficient fixture made of Die-casting Aluminum body with protecting Glass lens, creates a clear and bright lighting. The direction of lights perfectly illuminates the around area. Suitable for patio, porch, backyard, garage, walkway outdoor lighting. Easy and fast installation, no bulb replacement required.



PACKAGE CONTENTS:

Part	Description	Q-ty
-	LED Outdoor Wall Light Cylinder	1
A	Wire nuts	3
B	Outlet box screws	2
-	Box	1
-	Installation Instructions	1



⚠ WARNING

RISK OF PERSONAL INJURY – PLEASE READ THESE INSTRUCTIONS CAREFULLY. FOLLOW ALL INSTALLATION INSTRUCTIONS AND OBSERVE ALL WARNINGS.

Make sure the "supply" voltage corresponds to the "rated" product voltage 120V 60Hz

Retain these instructions. Note: If you are an installer, please give these instructions to the property owner for future reference.

Risk of injury: Always wear the necessary safety equipment to prevent injuries when opening, handling, installing and maintaining this product.

Risk of electrical shock: This product must be installed in accordance with the applicable installation code by a professional familiar with the construction and operation of the product. The professional should also be aware of, and understand the hazards involved with the installation of this product.

Risk of Fire: Always consult with a qualified electrician to ensure the correct branch circuit conductor is utilized. The minimum conductor rating requirement is 90°C (194°F) in order to be code compliant.

INSTALLATION GUIDE

IMPORTANT SAFETY INFORMATION:

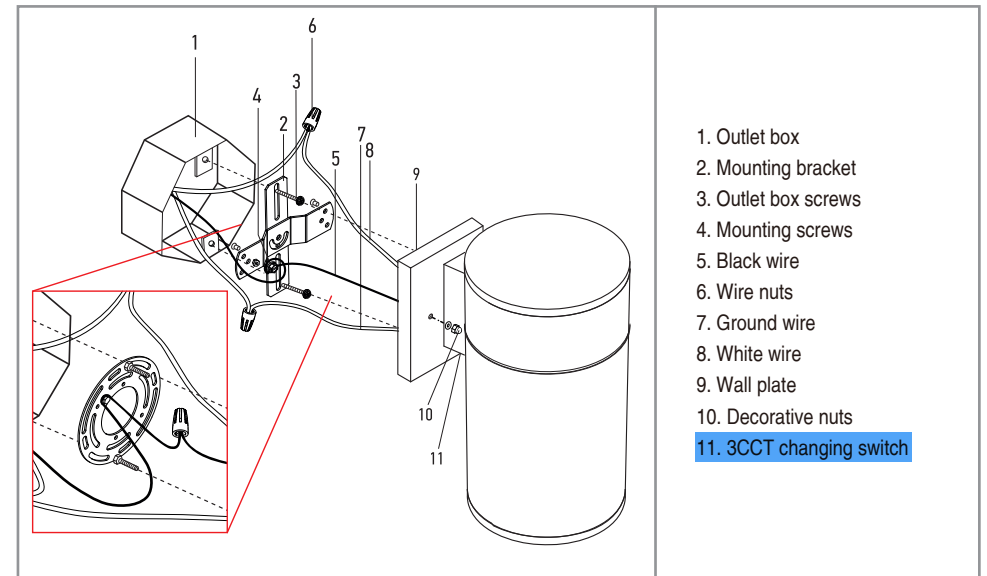
Please read all of the instructions below BEFORE installation.

- Make sure the "supply" voltage corresponds to the "rated" product voltage 120V 60Hz
- The product MUST be installed by a qualified electrician in accordance with The National Electrical Code and corresponding local codes.
- If the product is damaged, DO NOT ATTEMPT INSTALLATION AND DO NOT USE!

INSTALLATION STEPS

1. Install cross bar (mounting bracket) (2) to the outlet box (1) using outlet box screws (3);
2. Adjust the cross bar (mounting bracket) (2) in right angle, tighten the screws in the middle. Helpful tips: Before tightening the screws, try to fit the fixture to ensure the angle of cross bar (mounting bracket) (2) is correct.
3. Strip 1/2 inch of insulation from wire ends. Twist stripped ends together with pliers black (5) to black (power) and white (8) to white (natural). Attach copper wire to ground wire (7). Helpful tips: If necessary, attach copper ground wire to outlet box ground.
4. Attach wire nuts (6). Tape wire nuts and wires together with electrical tape.
5. Attach the fixture to the wall by aligning the mounting screws that protrudes from the cross bar (mounting bracket) (2) to the hole in the wall plate (9). Screw the decorative nuts (10) onto the protruding mounting screws (4) until the fixture is held firmly to the wall. Its recommended to apply clear weather silicone sealer (not included) around the wall plate (9). Installation finished. Turn on the power at the circuit breaker or fuse box. Turn the light switch ON to activate the fixture.

* Toggle the 3CCT changing switch and adjust to the color temperature that you need.



1. Outlet box
2. Mounting bracket
3. Outlet box screws
4. Mounting screws
5. Black wire
6. Wire nuts
7. Ground wire
8. White wire
9. Wall plate
10. Decorative nuts
11. 3CCT changing switch