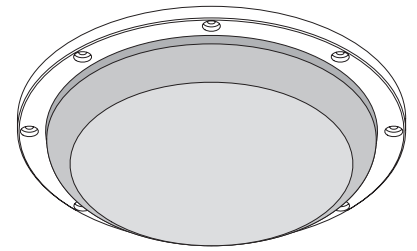


Installation Instructions

Ironclad[®] VR Pro Correctional Cell Fixture



Recommend Two-Person Installation

TOOLS/ MATERIALS NEEDED:

- Hammer drill 1/4" concrete bit
- Hammer (highly recommend using optional Spike Driver Installation tool in place of actual hammer—Grainger Part #453H25)
- Silicone Sealant

IMPORTANT: READ CAREFULLY BEFORE INSTALLING FIXTURE. RETAIN THESE INSTRUCTIONS FOR FUTURE REFERENCE.

Must be wired in accordance with the National Electrical Code and all applicable local codes.

THIS PRODUCT MUST BE INSTALLED IN ACCORDANCE WITH THE APPLICABLE INSTALLATION CODE BY A PERSON FAMILIAR WITH THE CONSTRUCTION AND OPERATION OF THE PRODUCT AND THE HAZARDS INVOLVED.

WARNING: Make certain power is OFF before installing or maintaining fixture.

No user serviceable parts inside. Cannot be upgraded or re-used after life of fixture.

CONTENTS

- Ironclad[®] VR Pro Assembled LED fixture
- (9) Spike concrete anchors – one spare – Grainger Part #30TD55

Not included but recommended for installation of spike anchors:

- Hammer Drill Spike Driver Installation Tool – Grainger Part #453H25
- 1/4" concrete bit – Grainger Part #2PRF6

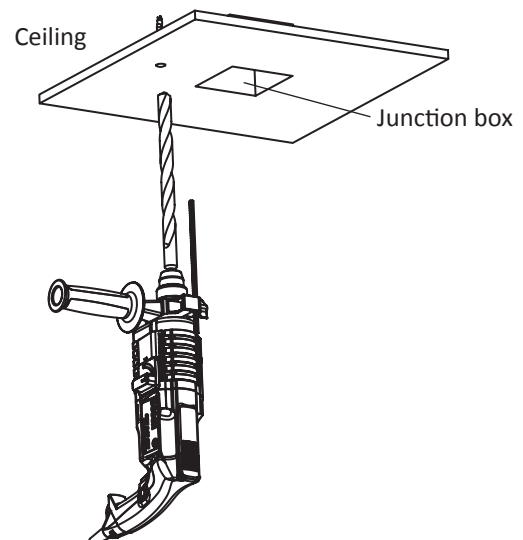
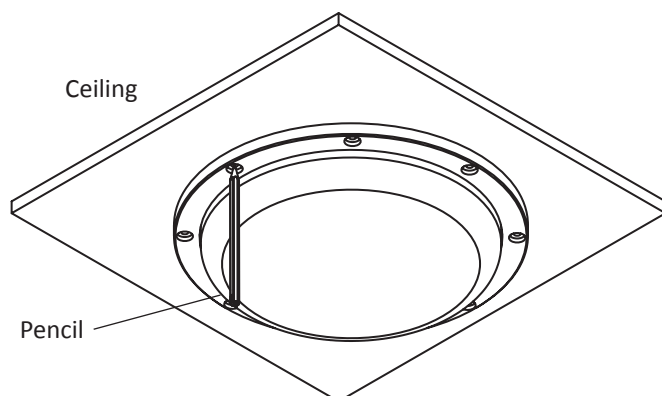
OPTIONAL installation hardware

- Tamper proof Torx 20 bolts (Grainger Part #5JE73)
- Drop-in 1/4" x20 anchors (Grainger Part #453671)
- Anchor setting tool (Grainger Part #30RZ60 or Grainger Part #453G62)

PRIOR TO INSTALLATION: Remove two bolts and wing nuts used on the fixture during shipping and discard.

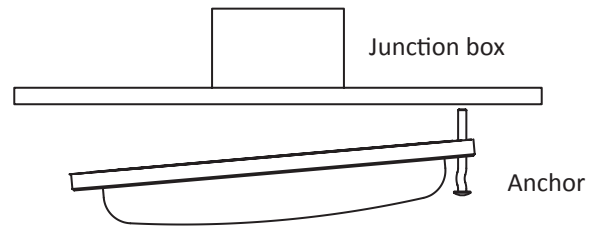
MOUNTING FIXTURE TO CEILING

1. Turn power OFF.
2. Place and center fixture up to junction box in ceiling.
3. Mark any hole position in the fixture on the ceiling using a pencil.
4. Move fixture and drill hole at marked location using a hammer drill and 1/4" concrete bit. Drill hole 2.5" deep and removed any dust in hole.



INSTALLATION USING SPIKE ANCHORS:

1. Position fixture back on ceiling and drive one spike anchor through the fixture hole and into the drilled ceiling hole.
Critical: Pound anchor (about 1/2") into ceiling just enough to hold fixture up
2. Ensure that power is OFF and make wire connections using approved NEC code connectors.
3. Proceed to wiring instructions.



INSTALLATION USING TORX TAMPER PROOF BOLTS:

1. Drill 3/8" hole, minimum 1" deep on pencil mark using concrete bit.
2. Set drop-in anchor with setting tool.
3. Position fixture back on ceiling, centered over junction box and attach fixture using 1/4" x 20 torx bolt.
Critical: Do not tighten all the way, allow fixture to hang slightly to facilitate wiring.
4. Ensure that power is OFF and make wire connections using approved NEC code connectors.
5. Proceed to wiring instructions.

WIRING INSTRUCTIONS:

1. If only one set of power wires are present, connect both white wires from fixture to white neutral in junction box and connect both black wires to black hot wire in junction box. No need to ground fixture.
2. If there are two sets of wires in junction box for two switches on wall, connect white and black wire of main fixture to one set of white and black wires in junction box. Connect the night light white and black wires on fixture to the other set of white and black wires in the junction box.
Critical: Turn power ON and test fixture with wall switch to make sure fixture is working before completing installation.
3. It is recommended to add a silicone caulking bead around the fixture as shown, to prevent any dust or water entering the fixture.
4. After confirming fixture powers on, position fixture centered in ceiling junction box and tuck all wires into junction box.
 - Drive the spike anchor all the way to secure the fixture up to the ceiling.
5. Drill next hole across from installed spike anchor or bolt and repeat tightening process.
6. Continue drilling remaining 6 holes.
7. Drive all spike anchors or bolts securely.

