

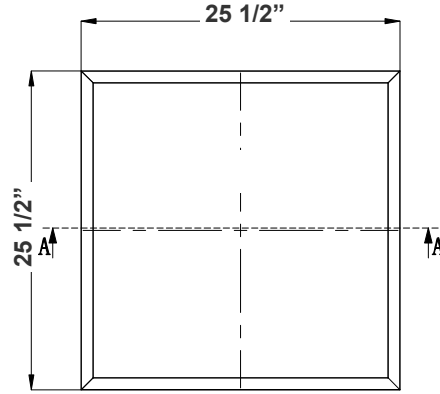
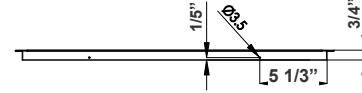
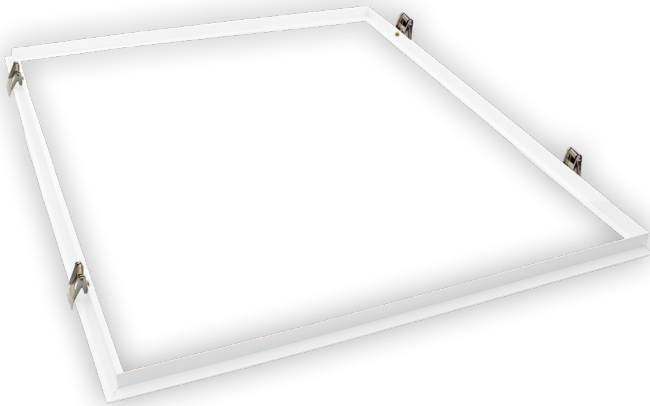
# LPNG SERIES Commercial Lighting

LPNG-RMK-2X2  
ACCESSORIES FOR PANEL LIGHTS

Customer Name: \_\_\_\_\_

Project Name: \_\_\_\_\_

Note: \_\_\_\_\_ Type: \_\_\_\_\_



25 1/2" x 25 1/2" x 3/4"

2x2' Recessed Mounting Flange Kit for installation in hard ceilings and surfaces

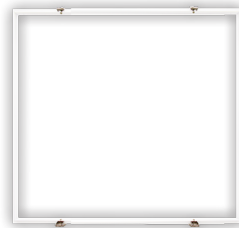
## Technical Specifications

- Construction: Extruded aluminum construction with mitered corners for square fit
- Finish: Formulated for high durability and long-lasting color
- Compatible with any standard flat panel and troffer fixtures
- 4 stainless steel snapping clips

### Other Views:



Side View

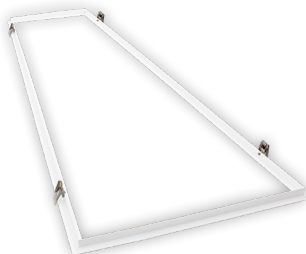


Front View

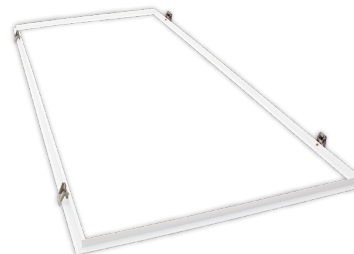


Close up View

### Other Models:



• LPNG-RMK-1X4



• LPNG-RMK-2X4

