

# INSTALLATION INSTRUCTIONS

Surface Mounting Frame for  
Back-lit Panel

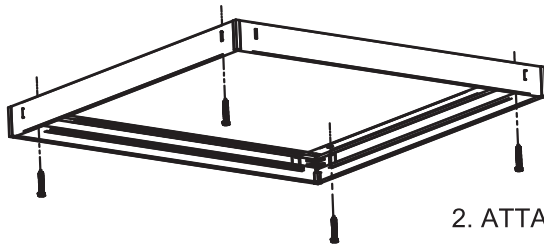
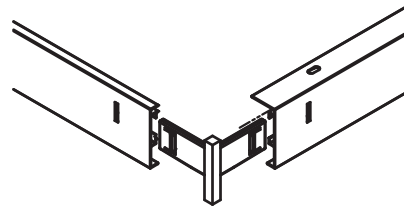
**IMPORTANT: Read carefully before installation and retain for future reference.**

- RISK OF ELECTRICAL SHOCK. TURN MAIN SWITCH AND CIRCUIT BREAKER TO "OFF" POSITION BEFORE SERVICE OR RELAMPING.
- All electrical connections must be in accordance with local codes, ordinances and National Electrical Code. If you are unfamiliar with proper electrical wiring or connections, secure the services of a qualified licensed electrician.
- Proper grounding of the fixture is essential for protection from shock, correct operation of the electronic driver and the elimination of electrical interference.

WARNING - If any special control devices are used with this Fixture, Follow the lighting control manufacturer instructions carefully to assure full compliance with N.E.C. requirements. If there are any questions, contact a Qualified Electrical Contractor.

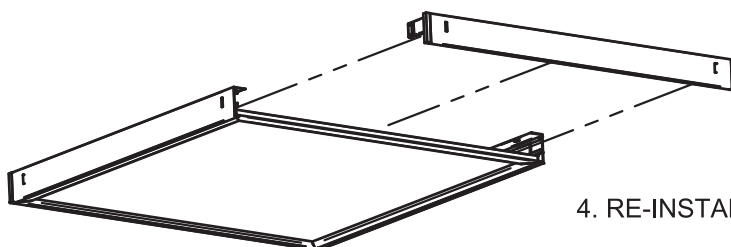
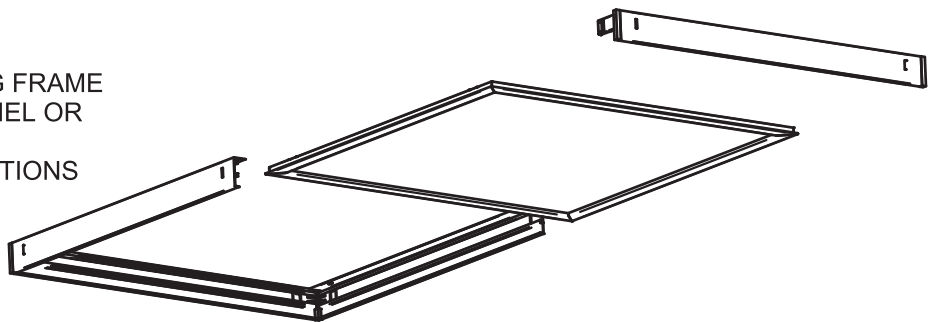
\*NOTE - FINISHED INSTALLATION DEPTH 2.76" FROM CEILING SURFACE\*

1. SNAP CORNER BRACKET TO EXTRUDED RAILS, MAKING SURE THAT MOUNTING FLANGES ARE ON OPPOSITE SIDES.



2. ATTACH FRAME TO CEILING STRUCTURE.

3. REMOVE ONE NON-MOUNTING FRAME SIDE AND SLIDE IN 2x2 FLAT-PANEL OR 2x2 BACK-LIT FIXTURE. MAKE ALL ELECTRICAL CONNECTIONS USING APPROPRIATE FITTINGS.



4. RE-INSTALL FRAME SIDE TO COMPLETE.

Note: All statements, technical information, and recommendations contained herein are based on information the company believes to be reliable. The accuracy or completeness thereof is not guaranteed. The purchaser should determine the suitability of the product for its intended use and assumes all risk and liability whatsoever in connection herewith.