



1' x 4' EZPAN edgelit LED panel lights provide smooth and uniform light edge-to-edge for a clean, modern look. Install in drop ceilings or use optional surface, pendant or recessed (dry wall) mounting kits.

Color: White

Weight: 8.8 lbs

|                     |              |
|---------------------|--------------|
| <b>Project:</b>     | <b>Type:</b> |
| <b>Prepared By:</b> | <b>Date:</b> |

| Driver Info |                  | LED Info       |              |
|-------------|------------------|----------------|--------------|
| Type        | Constant Current | Watts          | 40W          |
| 120V        | 0.33A            | Color Temp     | 5000K (Cool) |
| 208V        | 0.22A            | Color Accuracy | 81 CRI       |
| 240V        | 0.19A            | L70 Lifespan   | 60,000 Hours |
| 277V        | 0.16A            | Lumens         | 4,539        |
| Input Watts | 39.6W            | Efficacy       | 114.6 lm/W   |

## Technical Specifications

### Compliance

#### UL Listed:

Suitable for damp locations

#### IESNA LM-79 & LM-80 Testing:

RAB LED luminaires and LED components have been tested by an independent laboratory in accordance with IESNA LM-79 and LM-80.

#### CCEA Compliant:

Luminaire Requirements used in Environmental Air Space per the electrical code specification of the City of Chicago

#### DLC Listed:

This product is on the Design Lights Consortium (DLC) Qualified Products List and is eligible for rebates from DLC Member Utilities.  
DLC Product Code: P8AZCYBU

### Electrical

#### Driver:

Constant Current, Class 2, 50/60 Hz, 120-277V, 120V: 0.33A, 208V: 0.22A, 240V: 0.19A, 277V: 0.16A

#### THD:

8.88% at 120V, 13.88% at 277V

#### Power Factor:

99.0% at 120V, 95.4% at 277V

#### Note:

All values are typical (tolerance +/- 10%)

### Performance

#### Lifespan:

60,000-Hour LED lifespan based on IES LM-80 results and TM-21 calculations

### Construction

#### Maximum Ambient Temperature:

Suitable for use in up to -30°C (-22°F) to 50°C(122°F)

#### IC Rated:

Suitable for insulated ceilings

#### Lens:

Frosted polystyrene

#### Mounting:

Recessed ceiling

#### Housing:

Lightweight aluminum housing, steel pan and junction box

## Technical Specifications (continued)

### Construction

#### Installation:

Standard integral T-bar clips secure the fixture to T-bars and prevent T-system separation

#### Finish:

Formulated for high durability and long-lasting color

#### Green Technology:

Mercury and UV free. RoHS-compliant components.

### LED Characteristics

#### LEDs:

Long-life, high-efficacy, surface-mount LEDs

#### Other

#### Warranty:

RAB warrants that our LED products will be free from defects in materials and workmanship for a period of five (5) years from the date of delivery to the end user, including coverage of light output, color stability, driver performance and fixture finish. RAB's warranty is subject to all terms and conditions found at [rablighting.com/warranty](http://rablighting.com/warranty).

#### Equivalency :

Equivalent to (4)F32T8 or (4)F28T5

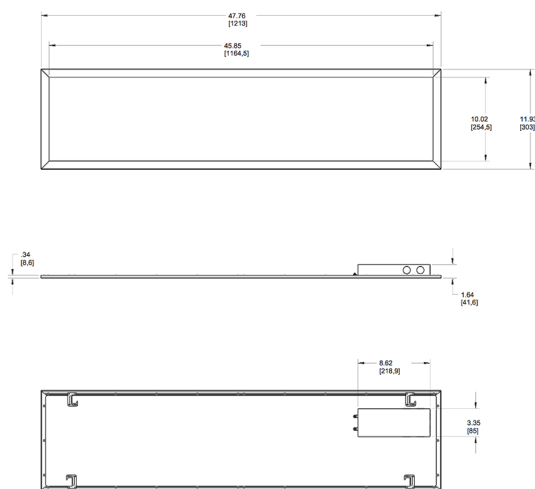
### Trade Agreements Act Compliant:

This product is a product of Cambodia and a "designated country" end product that complies with the Trade Agreements Act

### Buy American Act Compliance:

RAB values USA manufacturing! Upon request, RAB may be able to manufacture this product to be compliant with the Buy American Act (BAA). Please contact customer service to request a quote for the product to be made BAA compliant.

## Dimensions



## Features

Perfect for shallow plenums

Even and diffuse ambient illumination, ideal for spaces where glare-free lighting is required

0-10V dimmable driver, standard

## Ordering Matrix

| Family | Size          | Wattage  | Color Temp                | Dimming (standard)   | Control Options              | Other Options        |
|--------|---------------|----------|---------------------------|----------------------|------------------------------|----------------------|
| EZPAN  | 1X4           | -        | 40                        | /D10                 |                              |                      |
|        | 2X4 = 2' x 4' | 17 = 17W | Blank = 5000K (Cool)      | /D10 = 0-10V Dimming | Blank = No Sensor            | Blank = None         |
|        | 2X2 = 2' x 2' | 30 = 30W | N = 4000K (Neutral)       |                      | /LC = Lightcloud® Controller | /E2 = Battery Backup |
|        | 1X4 = 1' x 4' | 40 = 40W | YN = 3500K (Warm Neutral) |                      |                              |                      |
|        |               | 50 = 50W | Y = 3000K (Warm)          |                      |                              |                      |