

Albeo® ABC Series

LED High Bay Luminaire



CUSTOMER NAME _____

Project Name _____

Date _____ Type _____

Catalog Number _____

The Albeo® ABC LED Series Luminaire is an exceptional mixture of value and performance. Ideal for high bay applications in industrial and commercial buildings. Designed to replace 175W-450W HID and four-to eight-lamp T5/T8 fixtures with unmatched reliability and quality.

CONSTRUCTION

Housing:	Steel
Lens:	Polycarbonate diffused
Reflector:	White highly reflective polycarbonate
Paint:	Powder coat painted housing, no glass in housing or lenses
Weight:	6lbs (2.7kg)

PERFORMANCE

Distribution:	120°, 90° with open optic 120°, 90° with diffused lens
Lumens:	10,000 – 24,000 lumens
Efficacy:	143 - 160 LPW typical
CCT:	4000K, 5000K
CRI:	70 & 80 CRI

ELECTRICAL

Input Voltage:	120-277V, 347V, or 480V
Input Frequency:	50/60 Hz
LED Driver Type:	Designed to exceed 100,000 hrs of operation at worst possible rated conditions
Power Factor (PF)*:	>0.9*
Total Harmonic Distortion (THD)*:	<20%*
Surge Protection:	Tested per ANSI C136.2-2015 6kV surge protection, standard for most SKUs 3kV surge protection, Lumen Output '10' & '12'
EMI:	FCC CFR Title 47 Part 15, Class A

* PF and THD may vary with options

CONTROLS

Dimming:	0-10V, 10% dimming
Controls:	0-10V standard, optional motion & daylight sensor

LUMEN AMBIENT TEMPERATURE

TYPE	TEMPERATURE RATE
OPERATING TEMPERATURE	-30°C to +50°C (-22°F to 122°F) - 18,000lms and below -30°C to +45°C (-22°F to 113°F) for 24,000lms
STORAGE TEMPERATURE	-40°C to +70°C (-40°F to 158°F)

LUMEN MAINTENANCE

LXX(10K) @ Hours	100,000 HR
L70	

MOUNTING

- **Typical Mounting:** Standard Rod/ Chain / Cable mount ready. Surface and Pendant mount optional.
- **Standard** = knockout access (no cord, no plug)
6ft, 12ft, 15ft, 20ft Cord options
15A, 20A, Straight or twist lock plug

DESIGN LIFE & WARRANTY

- **Reliability Testing:** Fixture components designed to exceed 100,000 hrs of operation at the worst possible rated conditions. Complete system evaluated at extreme conditions and monitored during production.
- Please refer to the DLC QPL website for the latest and most complete information: <http://www.designlights.org/QPL>
- UL/cUL Listed
- Current's Limited 5-year Warranty:
Please refer to document **IND599** for more information.

Albeo® ABC Series

LED High Bay Luminaire

Catalog Logic and Accessories

CUSTOMER NAME

Project Name _____

Date _____ Type _____

Catalog Number _____

Ordering Information

ABC1

W

PRODUCT ID	VOLTAGE	LUMEN OUTPUT	LED COLOR TEMP	OPTICS/LENS	CONTROLS	MOUNTING	CORD	PLUG	FINISH	OPTIONS
ABC1= ABC Albeo Highbay ABC 1st Gen	0 = 120-277 1 = 120" 4 = 277" D = 347" 5 = 480"	10 = 10,000 12 = 12,000 18 = 18,000 24 = 24,000	70+ CRI 47 = 4000K 57 = 5000K 80+ CRI 48 = 4000K 58 = 5000K	Open Optic 1Q = 120° No Lens 9Q = 90° No Lens Diffused Lens 1D = 120° Diffused Lens 9D = 90° Diffused Lens	QQ = Dimming leads not externally accessible QV ² = 0-10V Dimming <u>Daintree® Networked:</u> NA = Occupancy & Ambient Light Sensor, w/ Continuous Dimming (full feature) TQ ³ = Wireless Daintree® Enabled (no sensor) <u>Daintree® EZ Connect⁴:</u> DF = Occupancy & Ambient light sensor w/ Continuous Dimming <u>Daintree® One⁵:</u> FB = Occupancy & Ambient Light Sensor with Continuous Dimming <u>Daintree® One Custom</u> <u>Options⁵:</u> FF = Occupancy w/ Continuous Dimming FH = Occupancy On/Off FK = Ambient Light Sensor w/ Continuous Dimming FM ⁶ = Ambient Light Sensor On/Off <u>3rd Party Options:</u> QA ⁷ = Occupancy Sensor On/Off 360° LSXR, No External Wiring QB ⁷ = Occupancy Sensor Continuous Dimming 360° LSXR QP ⁷ = Daylight Sensor w/ occupancy On/Off LSXR, No External Wiring, Full Featured	ST = Standard SM = Surface Mount 23 = 3/4" Pendant Mount Kit 41 = Y-Cable/Hook 5ft. 42 = Y-Cable/Hook 10ft. 43 = Y-Cable/Hook 15ft. 44 = Y-Cable/Hook 20ft	K = Knockout A = 6 ft. 18ga cord ³ B = 12 ft. 18ga cord ³ C = 15 ft. 18ga cord ³ D = 20 ft. 18ga cord ³	Q = None A = 15A Straight Plug ⁹ B = 20A Straight Plug ⁹ C = 15A Twist Lock ⁹ D = 20A Twist Lock ⁹	W = White Powder Coat	Blank = No Special Options 1PK = Single Pack



70 CRI @ 4000K OR 5000K CCT					
LUMEN PACKAGE	TYPICAL DELIVERED LUMENS	TYPICAL POWER		TYPICAL LPW 120-277V	MAX AMBIENT TEMP
		120-277V	347/480V		
10	9,900	62	64	160	50°C
12	12,000	78	79	154	50°C
18	18,000	126	124	143	50°C
24	23,600	161	159	147	45°C

Shown with "1Q" 120° No Lens Option
De-rate 5°C for "SM" Surface Mount Option

- Adjustable Lumen SKUs available, please see table on page 3

NOTES:

1. Specify single voltage if plug or sensor needed. Controls not available at 208V or 240V.
2. Contact factory if 5-conductor cord is needed
3. T Wireless Control (no sensor) must use Discrete Voltage for all Lumen packages over 24,000Lm
4. Ambient light detection functionality must be turned on in the Daintree EZ Connect app.
5. Daintree One devices can be customized and programmed with WHR1 remote.
6. 40ft (12m) height, WHR1 IR Remote 93131632
7. 15-45ft (4.6-13.7m) mounting heights
8. 3-conductor cord. Dimming leads separate. Please contact factory if 5-conductor cord is needed.
9. Specify discrete voltage for plug. Please see Voltage-Plug table for plug details and restrictions.

NOTE:

- See WHS20 spec sheet for default program parameters and occupancy detection patterns.
- Daintree Wireless Controls can be upgraded over time for greater functionality.
 - WHR1 Remote PN: 93131632
 - Daintree EZ Connect App can be downloaded on the Apple® App Store.
 - 40ft (12m) mounting height.

Albeo® ABC Series

LED High Bay Luminaire

Ordering Information

CUSTOMER NAME

Project Name _____

Date _____ Type _____

Catalog Number _____

EMERGENCY BATTERY BACKUP KIT ORDERED SEPARATELY		
SKU#	DESCRIPTION	LUMENS
93059499	ASM2430 50° beam	1750
93059500	ASM2429 120° beam	1650

NOTE: EMBB kit is only compatible with low voltage (120-277V)

VOLTAGE	NEMA Plug Type			
	A (15A STRAIGHT)	B (15A TWIST LOCK)	C (20A STRAIGHT)	20D (1A TWIST LOCK)
120	5-15P	L5-15P	5-20P	L5-20P
277	7-15P	L7-15P	7-20P	L7-20P
347	24-15P	N/A	24-20P	L24-20P
480	N/A	N/A	N/A	L8-20P

CRI	LUMENS	CCT	OUTPUT MULTIPLIER
70CRI	10/12K Lumens	5000K	100%
		4000K	100%
70CRI	18/24K Lumens	5000K	100%
		4000K	100%
80CRI	10/12K Lumens	5000K	94%
		4000K	92%
80CRI	18/24K Lumens	5000K	96%
		4000K	94%

OPTIC LENS CODE	OPTIC DESCRIPTION	OUTPUT MULTIPLIER
1Q	120° No Lens	100%
1D	120° Diffused Lens	91%
9Q	90° No Lens	96%
9D	90° Diffused Lens	87%

REPLACEMENT LENSES & OPTICS			
ORDERING SKU	ORDERING CAT # LOGIC	FUTURE CAT# LOGIC	DESCRIPTION
93124932	ABC1_D_KIT	1D or 9D	Diffused Lens Only (2 Lenses)
93137714	KIT0158_ABC1_DIFF_LENS_KIT_50PC	1D or 9D	Diffused Lens Only (Lenses for 25 Fixtures)
93137715	KIT0159_ABC1_DIFF_LENS_KIT_100PC	1D or 9D	Diffused Lens Only (Lenses for 50 Fixtures)
93137716	KIT0160_ABC1_DIFF_LENS_KIT_250PC	1D or 9D	Diffused Lens Only (Lenses for 125 Fixtures)
93134986	KIT0156_MLD_ABC1_COVER_REFL_90DEG_KIT	9D or 9Q	90 Degree Optic (1 Reflector plate/fixture)
93134885	KIT0155_MLD_ABC1_COVER_REFL_KIT	1D or 1Q	120 Degree Optic (1 Reflector plate/fixture)

ADJUSTABLE LUMEN - SKU					
ORDERING SKU	DESCRIPTION	MIN LUMEN	MAX LUMEN	CCT	CRI
93150764	ABC1024571DQXSTKQWV1	7,200	24,000	5,000	70
93150765	ABC1024471DQXSTKQWV1	7,200	24,000	4,000	70
93150766	ABC1012571DQXSTKQWV1	3,600	12,000	5,000	70
93150767	ABC1012471DQXSTKQWV1	3,600	12,000	4,000	70

Albeo® ABC Series

LED High Bay Luminaire

Dimensions

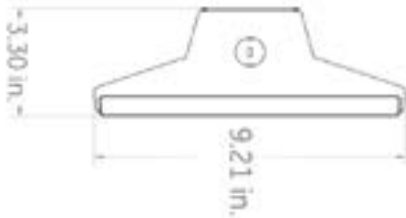
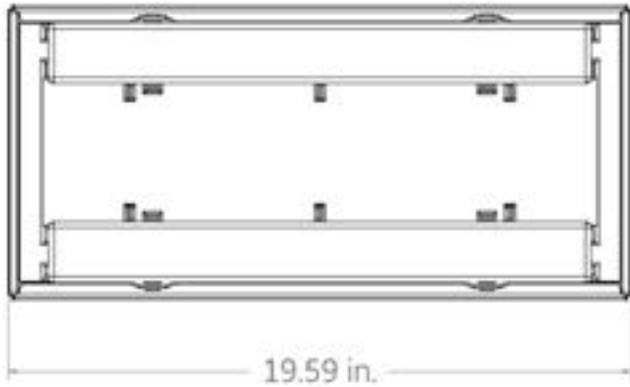
CUSTOMER NAME

Project Name _____

Date _____ Type _____

Catalog Number _____

ABC SERIES



Weight: 6 lbs

PACKAGING

Standard pack is job pack / bulk pack consisting of up to 72 fixtures in 2, 16 cell dividers stacked on a 44" x 48" pallet. Two Fixtures are placed in each divided cell for quick unload at a job site. Orders of <14 fixtures are typically single pack. Single Pack (i.e. for stocking) – Special Option 1PK. Sensor and corded options can be bulk packed or single packed.

Albeo® ABC Series

LED High Bay Luminaire

Photometric Data

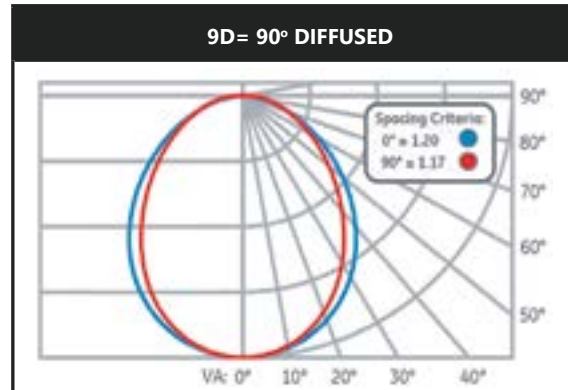
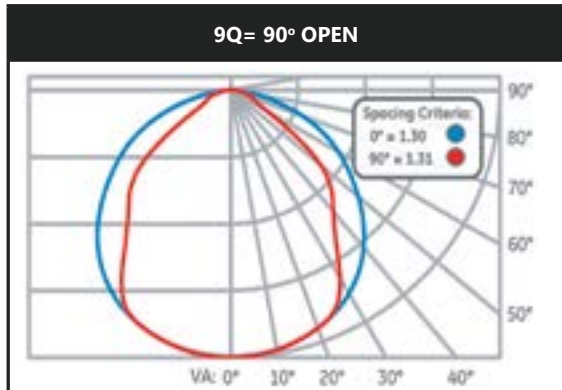
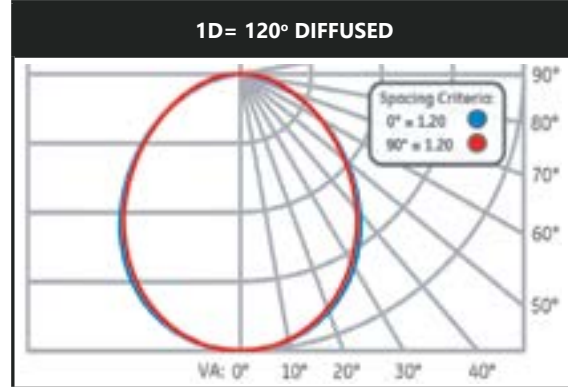
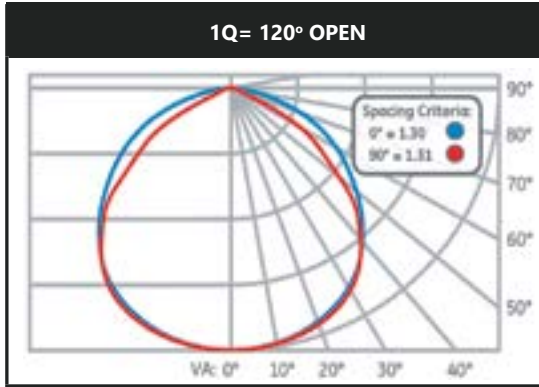
CUSTOMER NAME

Project Name _____

Date _____ Type _____

Catalog Number _____

PHOTOMETRIC DATA



Albeo® ABC Series

LED High Bay Luminaire

Mounting & Accessories


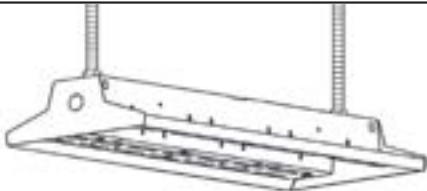
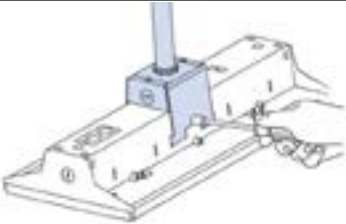
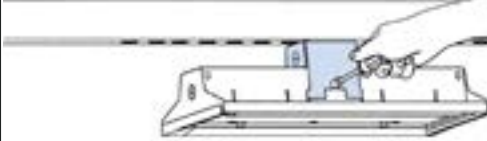

CUSTOMER NAME

Project Name _____

Date _____ Type _____

Catalog Number _____

MOUNTING & ACCESSORIES

MOUNTING OPTIONS	IMAGE	ORDER LOGIC CODE	ORDER LOGIC CODE
Standard Chain/Cable Mount Available on all fixture configurations (chain not included). Y-Cable w/hook can be ordered as an accessory		ST=Standard	Aftermarket: NA
Rod Mount/Standard Mount Available on all fixture configurations. Attaches to 1/2" threaded rod (rod and nuts not included).			
Pendant Mount (optional) Available on all fixture configurations. Attaches to 3/4" threaded conduit (conduit not included).		23 = 3/4" Pendant Mount Kit	SKU: 93124931 Description: 3/4" Surface Mounting Kit
Surface Mount (optional) Available on all fixture configurations. Attaches to structural member in ceiling (Hardware not included).	 NOTE: 5" distance between ceiling plane and bottom face of fixture; De-rate 5°C	SM = Surface Mount	
Standard Chain/Cable Mount Available on all fixture configurations (chain not included). Y-Cable w/hook can be ordered as an accessory.		41 = Y-Cable/ Hook 5 ft. 42 = Y-Cable/ Hook 10 ft. 43 = Y-Cable/ Hook 15 ft. 44 = Y-Cable/ Hook 20 ft.	5ft Y-Cable/ Hook: 93075756 10ft Y-Cable/ Hook: 93075552 15ft Y-Cable/ Hook: 93075553 20ft Y-Cable/ Hook: 93075554 25ft Y-Cable/ Hook: 93075555 Max Load: 200 lbs. per pair

For Additional Information or Product Technical Questions:
lightingproinfo@gecurrent.com