

# Daintree™ Wireless Controls

## WIT100 Wireless Integrated Sensor

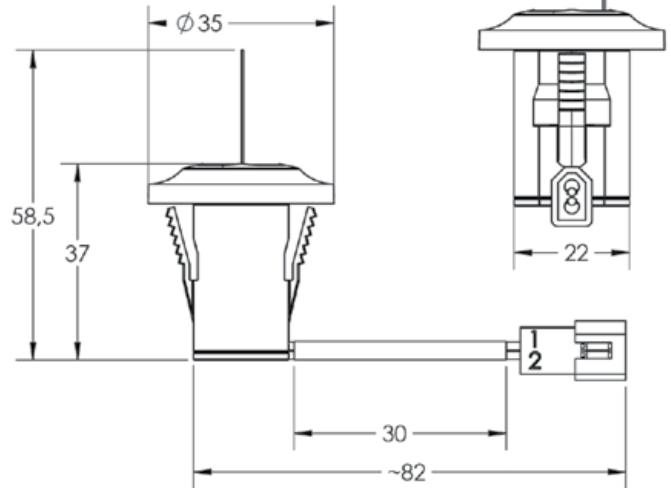
Project Name \_\_\_\_\_

Date \_\_\_\_\_ Type \_\_\_\_\_

Catalog Number \_\_\_\_\_



### Product Dimensions



### Description

The Daintree® EZ Connect Wireless Integrated Sensor (**WIT100**) is a small-size, luminaire-integrated sensor with wireless communication based on the 802.15.4 standard which provides secure and reliable communication between the luminaires in the room. Using the WIT100 sensor in each luminaire provides state-of-the-art distributed lighting control based on the built-in motion sensing and daylight harvesting functionalities. The sensor is shipped in Daintree ONE standalone mode. The standalone mode works with pre-programmed settings to maximize energy efficiency.

The sensor can be upgraded and personalized with the Daintree EZ Connect app available as a free download on the Apple® App Store. The sensor can be zoned with up to 30 nearby luminaires using the EZ Connect app. Once commissioned, the sensed information is then shared between all luminaires. The system can be commissioned, with the Daintree EZ connect mobile app. The app is available for download on Apple® devices. The app allows grouping of fixtures and customization of the lighting performance in the space.

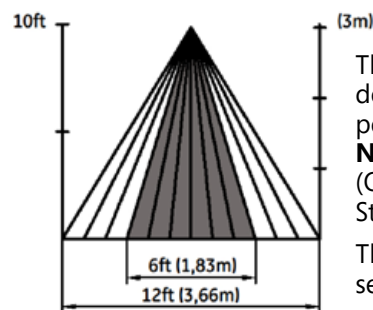
The control of the luminaire is carried out through the digital bus between the output of the sensor and the control input of the luminaire's LED driver. The digital bus also provides the necessary supply power for the sensor. No additional wiring or auxiliary power supply are required which helps to minimize installation costs. When commissioned in a zone it is also possible to adjust preferred dimming levels manually through self-powered wireless switches (ZBT-S1AWH).

These ZBT-S1AWH self-powered and wireless dimmer switches transmit wireless messages to the fixtures using the mechanical energy of button presses to generate all necessary power for the electronics.

### Compatible with Daintree

- ZigBee Green Power (included in ZigBee 3.0)
- Daintree EZ Connect controls
- ZBT-S1AWH self powered, wireless dimmer switches

### Sensor Pattern



The detection area determination was performed according to the **NEMA WD 7-2011** Standard (Occupancy Motion Sensors Standard).

The detector sensitivity was set to the default 80%

The whole area shows the major motion detection field.

The shaded area shows the minor motion detection field.

# Daintree™ | WIT100 Wireless Integrated Sensor

## Daintree EZ Connect Benefits

### Easy Commissioning:

Daintree EZ Connect mobile app simplifies and reduces the installation process, minimizing disruption to enterprise operations.

### Intuitive Deployment:

Daintree EZ Connect mobile app recognizes fixtures that are closest to the installer, so fixtures are easily identified making the commissioning more efficient.

### Zoned Communication:

Fixtures can be zoned and the sensors talk to each other to react in concert with each other to occupancy, daylight and wall controls.

### Simplicity:

Integration with fixtures reduces the amount of devices that need to be installed in a room.

### Room Based Control:

Customize the lighting parameters to the task that is being performed in the application space.

### Code Compliant:

Integrated wireless sensors offer daylight harvesting and granular lighting controls.

## Technical Data

### Product Specifications

|                                     |  |
|-------------------------------------|--|
| <b>Dimensions:</b>                  | See Dimensional Diagram  |
| <b>Weight:</b>                      | 15g  |
| <b>Voltage Rating</b>               | 20Vdc, Class 2 (SELV)  |
| <b>Current Consumption:</b>         | Max 8mA (without digital communication) @ Max. 20V DC, Class 2 |
| <b>Sensor Type:</b>                 | Passive infrared (PIR) sensor (for motion) and light sensor    |
| <b>Operating Environment:</b>       | 0°C to 45°C / IP 20 – Indoor, dry location                     |
| <b>Status indicator:</b>            | Network LED (amber): Network joined / Motion is sensed         |
| <b>Connections:</b>                 | Cable connection to the Driver or Interface module             |
| <b>Mounting:</b>                    | Installs with a 22mm (0,87") hole                              |
| <b>Recommended Mounting Height:</b> | 10 feet (3m)   |
| <b>Warranty:</b>                    | 5 years  |

## Product Certifications

FCC Compliant

FCC ID: 2AS3F-WIT100

IC: 25008-WIT100

CAN ICES-005 (A) / NIMB-005 (A)



For a complete list of the harmonized standards that this product is in conformity with, please see this product's EU Declaration of Conformity on [gecurrent.com](http://gecurrent.com)

## Additional Information

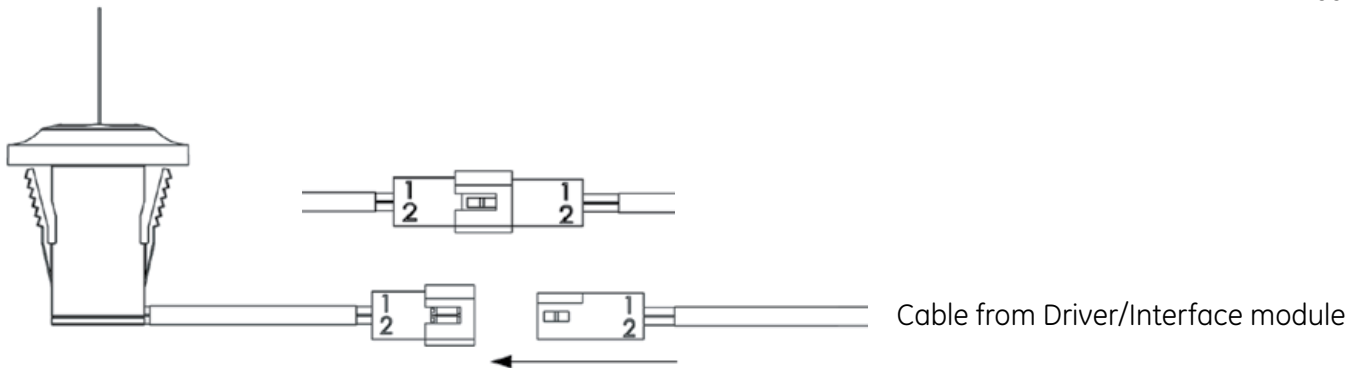
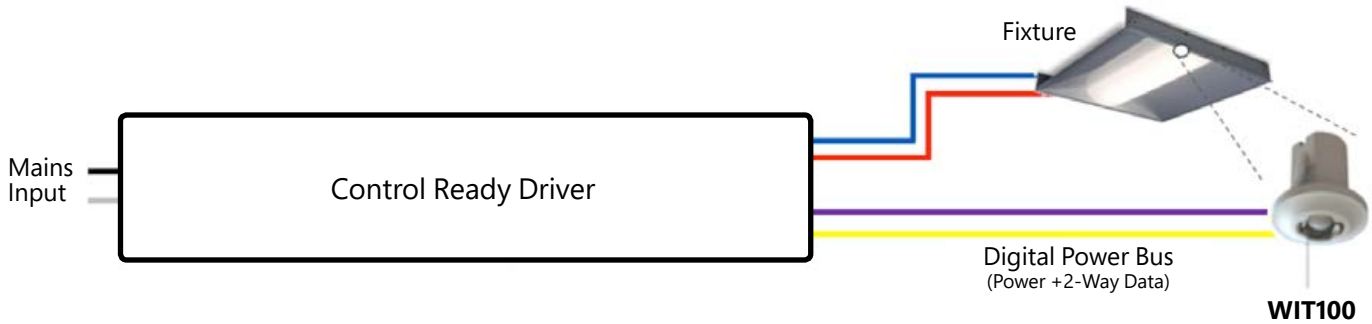
|  |  |
|--|--|
| <b>Purpose of the Control:</b>                 | Operating Control  |
| <b>Method of Mounting Control:</b>             | Independently Mount Control. Model WIT100 intended for flush mounting into a recessed cavity |
| <b>Type of Action and Additional Features:</b> | Type 1   |
| <b>Control of Pollution Degree:</b>            | 2  |
| <b>Function/Software Class and Structure:</b>  | Class A  |
| <b>Rated Impulse Voltage:</b>                  | 330V   |

**Note:** Any external cables connected to devices not to exceed 3 meters length.

# Daintree™ | WIT100 Wireless Integrated Sensor

## Cable Connection to Driver

- Connect the WIT100 Sensor's digital power bus line with the connectors to compatible devices and interface module.
- CE Power Supply Compatibility List: Vossloh-Schwabe Ref. No. 186738 and 186740
- Please contact customer support for the full list of compatible devices.



### Commissioning the WIT 100 Sensor

Commissioning the sensor is easy on the **Daintree EZ Connect** app. The app is available for download on the Apple® App Store.



## Product Availability

The Daintree WIT100 Sensor comes pre-installed in many Current Fixtures when ordered with "TT" Controls Catalog logic. Alternatively, the WIT100 will work with any 0-10V fixture when ordered as an accessory to an LCA kit. Visit [gecurrent.com](http://gecurrent.com) for a complete list of available Daintree enabled fixtures.



Designed in the USA & Hungary by  
GE current a Daintree company

# Daintree™ | WIT100 Wireless Integrated Sensor

**Caution:** The user is cautioned that changes or modifications not expressly approved by the party responsible for compliance could void the user's authority to operate the equipment.

**Note:** This equipment has been tested and found to comply with the limits for a Class B digital device, pursuant to part 15 of the FCC Rules. These limits are designed to provide reasonable protection against harmful interference in a residential installation. This equipment generates uses and can radiate radio frequency energy and, if not installed and used in accordance with the instructions, may cause harmful interference to radio communications. However, there is no guarantee that interference will not occur in a particular installation. If this equipment does cause harmful interference to radio or television reception, which can be determined by turning the equipment

off and on, the user is encouraged to try to correct the interference by one or more of the following measures:

- Reorient or relocate the receiving antenna.
- Increase the separation between the equipment and receiver.
- Connect the equipment into an outlet on a circuit different from that to which the receiver is connected.
- Consult the dealer or an experienced radio/TV technician for help

**Suppliers Name:** Current Lighting Solutions, LLC

**Suppliers Address (USA):** 1975 Noble Road, East Cleveland, OH 44112

**Suppliers phone number and / or internet contact information:** 1-800-327-0097

## FCC/IC Compliance Statements

This device complies with part 15 of the FCC Rules. Operation is subject to the following two conditions: (1) This device may not cause harmful interference, and (2) this device must accept any interference received, including interference that may cause undesired operation.

This device contains licence-exempt transmitter(s)/receiver(s) that comply with Innovation, Science and Economic Development Canada's licence-exempt RSS(s). Operation is subject to the following two conditions:

- This device may not cause interference.
- This device must accept any interference, including interference that may cause undesired operation of the device.

Cet appareil est conforme à la partie 15 des règles FCC. Son fonctionnement est soumis aux deux conditions suivantes: (1) Cet appareil ne doit pas causer d'interférences nuisibles, et (2) cet appareil doit accepter toute interférence reçue, y compris les interférences susceptibles de provoquer un fonctionnement indésirable.

- L'appareil ne doit pas produire de brouillage;
- L'appareil doit accepter tout brouillage radioélectrique subi, même si le brouillage est susceptible d'en compromettre le fonctionnement.

To satisfy FCC/ISED RF exposure requirements a separation distance of 20 cm or more must be maintained between the antenna of this device and persons during operation. Operation at closer than 20cm is not permitted.

Pour être conforme aux limites d'exposition aux ondes RF des normes FCC/ISED, une distance de séparation d'au moins 20 cm doit être maintenue entre l'antenne de cet appareil et toute personne pendant son opération. Mettre en opération cet appareil à une distance plus rapprochée que 20 cm n'est pas permis.