

Daintree® Wireless Controls

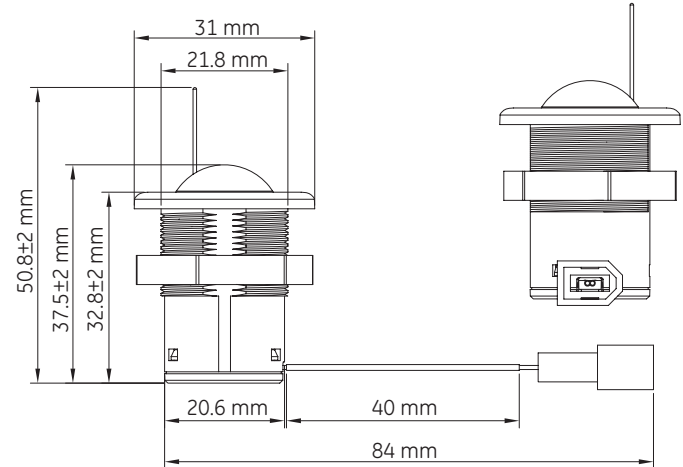
WIZ100 Integrated Wireless Occupancy and Photocell Sensor

Project Name _____

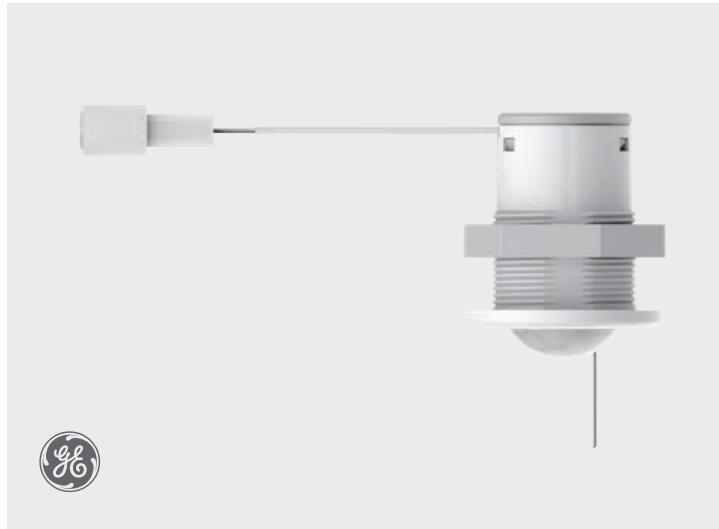
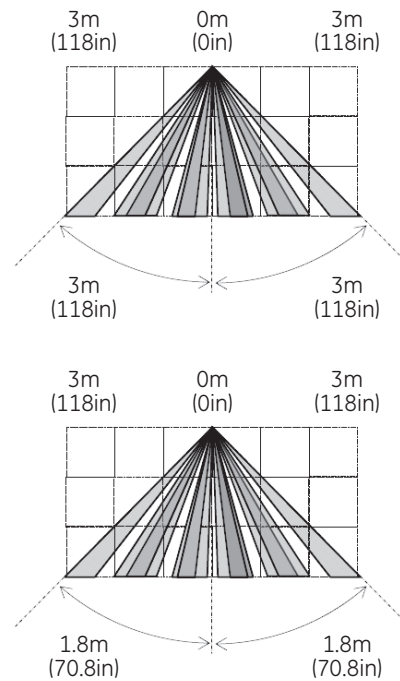
Date _____ Type _____

Catalog Number _____

Product Dimensions



Motion Patterns



Description

The **Wireless Integrated Occupancy sensor (WIZ100)** is a small-size sensor for use with luminaires, through integration or adjacent attachment. Using the WIZ100 sensor with each luminaire provides motion sensing and daylight harvesting data to the Daintree Networked Lighting Control System while enabling dimming and on/off commands to be delivered to the luminaire.

The control of the luminaire is carried out through a digital bus between the sensor and the luminaire's driver/controller; the digital bus also provides the necessary power for the sensor. The wireless communication with the Daintree Networked Wireless Area Controller WAC60 utilizes ZigBee which results in a secure and reliable connection and helps minimize the installation costs and complexity. Each WAC60 can support up to 175 networked devices, or nodes.

Product Certifications



Ordering Information

SKU	Product Description	Article No.
95039263	Wireless Integrated Occupancy and Photocell Sensor	WIZ100

Daintree® | WIZ100 Integrated Wireless Occupancy and Photocell Sensor

Daintree WIZ100 wireless controls are available integrated and preinstalled in many Current lighting fixtures. For a complete list of integrated sensors, look for the Daintree Wireless Controls icon on the product pages on gecurrent.com

Notes

Method of Mounting Control	Independently Mounted Control for panel mounting
Type of action and additional features	Type 1
Control Pollution Degree	2
Software Class and Structure	Class A
Maximum Interconnection cables length	3 m
Rated Impulse Voltage	330V

Specifications

WIZ100	Integrated Wireless and Occupancy Photocell Sensor
Dimensions	See Dimensional Diagram
Weight	12.8g
Current Consumption	Max 8mA (without digital communication) @ Max. 22.5V DC, Class 2
Voltage Rating	Max. 22.5V, Class 2, capable of no greater than 15VA power
Sensor Type	Passive infrared (PIR) sensor (for motion) and light sensor
Operating Environment	0°C to 50°C (Indoor)
Status Indicator	Network joined / Motion is detected
Connections	Cable connection to the Driver or Interface module
Mounting	Installs within a 22mm (0.87") hole with provided nut
Recommended Mounting Height	10 feet
Warranty	5 years

