

# Evolve® LED Wall Pack

L Series (EWLS)



Project Name \_\_\_\_\_

Date \_\_\_\_\_ Type \_\_\_\_\_

Notes \_\_\_\_\_

The Evolve® LED L Series Wall Pack (EWLS), The Evolve LED L-Series Wall Pack, EWLS, is a designed replacement for 50W to 250W HID, while offering significant energy savings in a long-life LED wall pack. Two-screw housing design enables a fast and simplified installation. The low-watt Egress package is designed to meet recommended illuminance requirements for egress applications such as side and rear exit doors in commercial buildings. Available with Emergency Battery Backup option.

## CONSTRUCTION

<b>Housing:</b>	Aluminum die cast enclosure. Integral heat sink for maximum heat transfer
<b>Lens:</b>	Impact resistant tempered glass
<b>Paint:</b>	Corrosion resistant polyester powder paint, minimum 2.0 mil thickness Color: Black, Dark Bronze, Gray & White (RAL & custom colors available) Optional = Coastal Finish
<b>Weight:</b>	8.5lbs (4 kg)

## OPTICAL SYSTEM

<b>Lumens:</b>	1,700 to 7,000
<b>Distribution:</b>	Asymmetric Forward
<b>Efficacy:</b>	117- 148 LPW
<b>CCT:</b>	2700, 3000K, 4000K, 5000K
<b>CRI:</b>	≥70

## ELECTRICAL

<b>Input Voltage:</b>	120-277V & 347V
<b>Input Frequency:</b>	50/60Hz
<b>Power Factor:</b>	> 90% at rated watts
<b>Total Harmonic Distortion:</b>	≤ 20% at rated watts

## SURGE PROTECTION

<b>Surge Protection</b>	10kV/5kA (Standard) 3kV/1.5kA (EMBB)
-------------------------	---

\*Per ANSI C136.2-2015

## EMERGENCY BATTERY BACKUP

Provides reliable emergency operations when there is a loss to normal power, supported by Independent Secondary Battery.

- Hold-Up Time: 90 minutes @ 1,400 lumens.
- Meet egress light level and uniformity requirements
- Not available in 347V
- Operating Temperature (for EMBB models) 0° to 40°C
- 3kV/1.5kA surge protection for EMBB models.

## LUMEN MAINTENANCE

Projected Lxx per IES TM-21-11 at 25°C

Lumen Codes	Distribution	LXX(10K) @ Hours		
		25,000 HR	50,000 HR	60,000 HR
17, 25 & 40	AF	L99	L99	L99
70	AF	L94	L87	L85

Note: Projected Lxx based on LM80 (≥ 10,000 hour testing). Accepted industry tolerances apply to initial luminous flux and lumen maintenance measurements.

## LUMINAIRE AMBIENT TEMPERATURE FACTOR

Ambient Temp (°C)	Initial Flux Factor	Ambient Temp (°C)	Initial Flux Factor
10	1.02	30	0.99
20	1.01	40	0.98
25	1.00	50	0.97

## RATINGS

<b>Operating Temperature:</b>	-40°C to 50°C
<b>Vibration:</b>	3G per ANSI C136.31-2010
<b>LM-79:</b>	Testing in accordance with IESNA Standards

## CONTROLS

<b>Dimming:</b>	Standard - 0-10V
<b>Sensors:</b>	Photo Electric Sensors (PE) available Motion Sensor

## WARRANTY

5 Year (Standard)

**EWLS 02**

**7**

PROD. ID	GEN	VOLTAGE	OPTIC CODE	DISTRIBUTION	CRI (min)	CCT	CONTROLS	PE FUNCTION	MOUNTING	COLOR	OPTIONS
<b>E</b> = Evolve	02	0 = 120-277	17 = 1,700 lms <sup>2</sup>	AF = Asymmetric Forward	7 = 70	27 = 2700K <sup>3</sup>	N = No External Dimming Leads	1 = None	CB = Conduit Box Mount <sup>4</sup>	BLCK = Black	EMBB = Emergency Battery Backup <sup>5,6</sup>
<b>W</b> = Wallpack			25 = 2,500 lms			30 = 3000K <sup>3</sup>	D = External Dimming Leads	3 = Button PE <sup>1</sup>	FM = Flush Mount	DKBZ = Dark Bronze	H = Motion Sensor
<b>LS</b> = L-Series		1 = 120 <sup>1</sup>	40 = 4,000 lms			40 = 4000K				GRAY = Gray	J = cUL/Canada
		2 = 208 <sup>1</sup>	70 = 7,000 lms			50 = 5000K				WHTE = White	W = Non-Graphical White Box
		3 = 240 <sup>1</sup>									XXX = Special Options
		4 = 277 <sup>1</sup>									
		8 = 120-240									
		D = 347 <sup>1</sup>									

<sup>1</sup> Specify single voltage if Button PE option is selected  
<sup>2</sup> Optic code 17 - Not offered in 120-277V, use 120-240V  
<sup>3</sup> Select 2700K or 3000K CCT for IDA approved units

<sup>4</sup> Must be selected when ordering with Button PE, Motion Sensor, 347V or Emergency Battery Backup  
<sup>5</sup> Not available with motion sensor  
<sup>6</sup> Not available in 347V

Optic Code	Dist.	TYPICAL INITIAL LUMENS					TYPICAL SYSTEM WATTAGE					BUG RATINGS		IES FILE NUMBER					
		2700K		3000K		4000K/5000K	120-277V		347V		B-U-G	2700K-5000K	2700K	3000K	4000K		5000K		
		120-277V	347V	120-277V	347V	120-277V	347V	120-277V	347V	120-277V	347V	120-277V	347V	120-277V	347V	120-277V	347V		
17	AF	1400	1600	1700	12	14	B1-U0-G0	EWLS02_17AF727-120-240V	EWLS02_17AF727-347V	EWLS02_17AF730-120-240V	EWLS02_17AF730-347V	EWLS02_17AF740-120-240V	EWLS02_17AF740-347V	EWLS02_17AF750-120-240V	EWLS02_17AF750-347V				
25		2200	2400	2500	17	19	B1-U0-G1	EWLS02_25AF727-120-277V	EWLS02_25AF727-347V	EWLS02_25AF730-120-277V	EWLS02_25AF730-347V	EWLS02_25AF740-120-277V	EWLS02_25AF740-347V	EWLS02_25AF750-120-277V	EWLS02_25AF750-347V				
40		3500	3800	4000	27	29	B1-U0-G1	EWLS02_40AF727-120-277V	EWLS02_40AF727-347V	EWLS02_40AF730-120-277V	EWLS02_40AF730-347V	EWLS02_40AF740-120-277V	EWLS02_40AF740-347V	EWLS02_50AF750-120-277V	EWLS02_50AF750-347V				
70		6100	6700	7000	52	54	B2-U0-G1	EWLS02_70AF727-120-277V	EWLS02_70AF727-347V	EWLS02_70AF730-120-277V	EWLS02_70AF730-347V	EWLS02_70AF740-120-277V	EWLS02_70AF740-347V	EWLS02_70AF750-120-277V	EWLS02_70AF750-347V				
EMBB	-	1300	1400	1400	-	-	B1-U0-G0	ELWS02_EMBB_727		ELWS02_EMBB_730		ELWS02_EMBB_740		ELWS02_EMBB_750					

# Evolve® LED Wall Pack

L-Series (EWLS)

Project Name \_\_\_\_\_

Date \_\_\_\_\_ Type \_\_\_\_\_

Notes \_\_\_\_\_

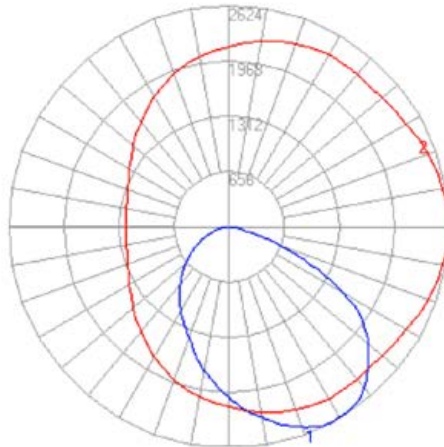
## Photometric Plots

### 70AF

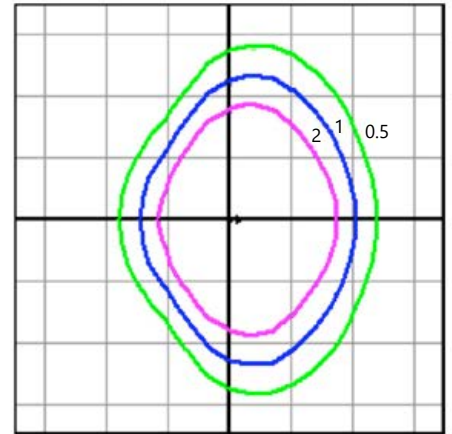
ASYMMETRIC FORWARD

7000 LUMEN

EWLS02\_70AF750\_\_-120-277V.ies



- Vertical plane through horizontal angle of Max. Cd at 0°
- Horizontal cone through vertical angle of Max. Cd at 27°



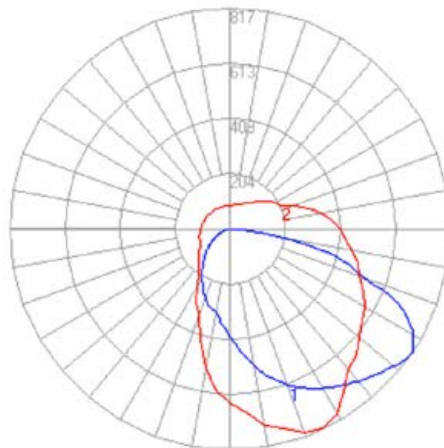
- Mounting Height at 10'
- Initial Footcandle at Grade
- Light Level: 0.5fc, 1fc, 2fc

### EMBB Mode

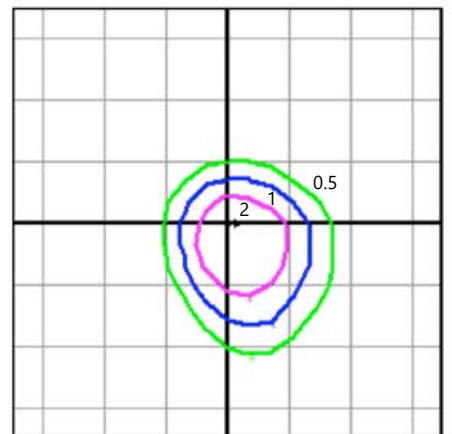
ASYMMETRIC FORWARD

1400 LUMEN

EWLS02\_EMBB\_\_.ies



- Vertical plane through horizontal angle of Max. Cd at 295°
- Horizontal cone through vertical angle of Max. Cd at 55°



- Mounting Height at 10'
- Initial Footcandle at Grade
- Light Level: 0.5fc, 1fc, 2fc

# Evolve<sup>®</sup> LED Wall Pack

L Series (EWLS)

Project Name \_\_\_\_\_

Date \_\_\_\_\_ Type \_\_\_\_\_

Notes \_\_\_\_\_

## Motion Sensing

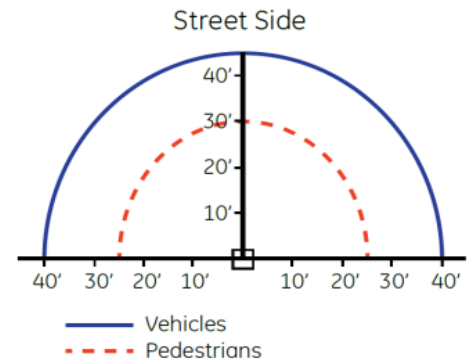
### H MOTION SENSING OPTION

- Intended for 8-25ft mounting heights
- Provides coverage area radius for walking motion of 25-30 ft
- Provides 180° degree coverage (180° degree blocked by wall)
- Integrated Photoelectric control

#### Default Settings:

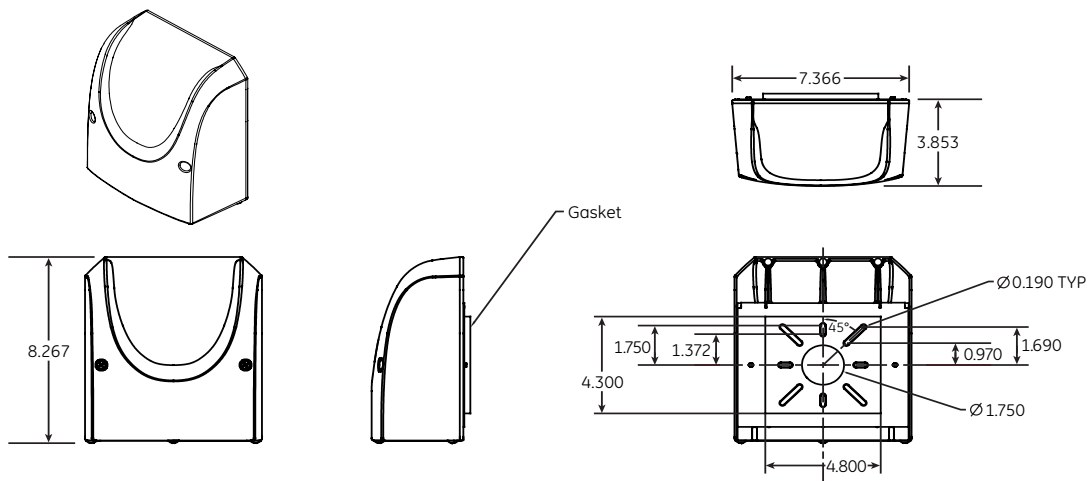
- Output: Occupied - 100%/Unoccupied - 50%
- 10% dimming after 5 minutes with no occupancy
- Adds < 1W to fixture power rating
- Field programmable using FSIR-100 hand held programmer

### SENSING PATTERN:

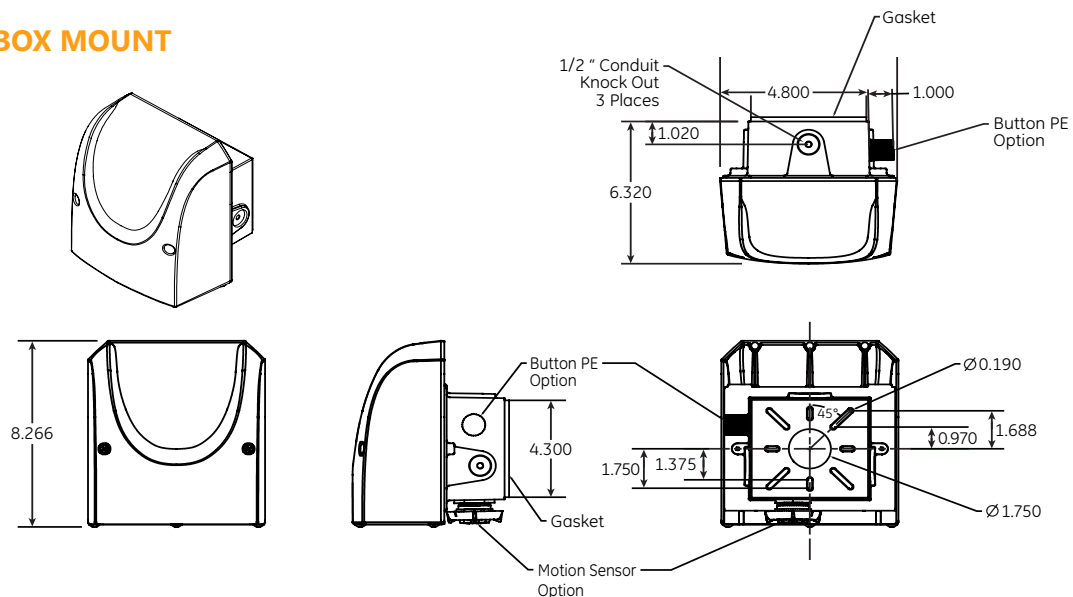


Sensing Pattern Wall Pack Fixture: 8-25 ft.

### FLUSH MOUNT



### CONDUIT BOX MOUNT



# Evolve® LED Wall Pack

L-Series (EWLS)

## Mounting & Accessories

Project Name \_\_\_\_\_

Date \_\_\_\_\_ Type \_\_\_\_\_

Notes \_\_\_\_\_

### MOUNTING

- Mounts to standard 3-1/2" to 4" round and octagonal, 4" square, single gang and masonry junction boxes.
- Flush Mount: Mounts directly to customer supplied junction box
- Conduit Box Mount: Mounts to walls via separate mounting box with conduit knockouts.

SAP Number	Part Number	Description
93060202	35-434281R01	Conduit Box Mount (QTY 1)
93060203	35-966640-01	Conduit Box Mount (QTY 5)

### ACCESSORIES

SAP Number	SKU Description	Description	Finish
93098508	EWLSAE1BLCK	10" x 12" Beauty Plate	BLACK
93098507	EWLSAE1DKBZ	10" x 12" Beauty Plate	DARK BRONZE
93098509	EWLSAE2BLCK	12" x 16" Beauty Plate	BLACK
93078134	EWLSAE2DKBZ	12" x 16" Beauty Plate	DARK BRONZE
93098506	EWLSAE2GRAY	12" x 16" Beauty Plate	GRAY
93082336	EWLSAE2WHITE	12" x 16" Beauty Plate	WHITE
93117503	EWLSAE3BLCK	12" x 20" Beauty Plate	BLACK
93082337	EWLSAE3WHITE	12" x 20" Beauty Plate	WHITE
93060351	EWLSAD	Diffuser	

### ACCESSORIES

SAP Number	Part Number	Description	Finish
EWLSA	E = Escutcheon Plate	1 = 10" x 12"	BLCK = Black
		2 = 12" x 16"	DKBZ = Dark Bronze
		3 = 12" x 20"	WHTE = White
			Gray = Gray

### ACCESSORIES: BEAUTY PLATES

