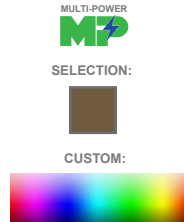


# LFX-XL SERIES Outdoor Lighting

LFX-XL-150-300W-50K-480V



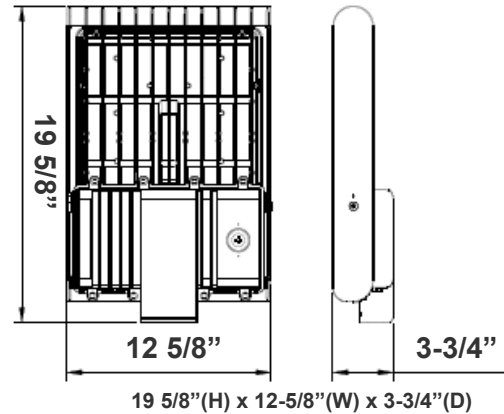
Ideal for general site lighting, alleys, loading docks, doorway, pathway, and parking areas.

Customer Name: \_\_\_\_\_

Project Name: \_\_\_\_\_

Note: \_\_\_\_\_

Type: \_\_\_\_\_



## Features

- DLC Premium & LED High-Lumen Flood lights
- Solid State Lighting Technology for Long Life
- No Maintenance Needed and High-Efficiency
- 70,000 Hours Rated Life
- 7-Year Warranty
- Optic Lens Type: III
- Multi-Power - The Switch is on the bottom of the Fixture

## Technical Specifications

### Electrical:

- Voltage: 480V AC/50~60 Hz
- Wattage: 150/ 200/ 240/ 300W
- Power Factor: >0.9
- Efficacy: 135 LPW

### Mechanical:

- With Snap-on & Bolt Mounting Options for One- Person Installations. Select a Mounting Option (Sold Separately)
- LED: Philips Lumileds Luxeon 2835 High Flux LED
- Die-cast Aluminum Housing with Powder Coat Finish (Dark Bronze)
- IP Rating: IP65
- 10KV Lightning Surge Protection
- Effective Projected Areas (EPA's) are: Front = 0.38 ft<sup>2</sup>, Side = 0.30 ft<sup>2</sup>, Face = 1.05 ft<sup>2</sup>
- Operating Temperature: -40°F to 104°F
- Suitable for Wet Locations

### Lighting:

- Dimming: 0~10V dimmable
- Optic Lens Type: III
- Cord Type: 6' SJTW 18/3 AWG cable
- Total Lumens: 44000LM Max.
- Color Temperature: 3000K/ 4000K/ 5000K
- Color Rendering Index: ≥ 82
- Beam Angle: 90° X 120°

### Applications:

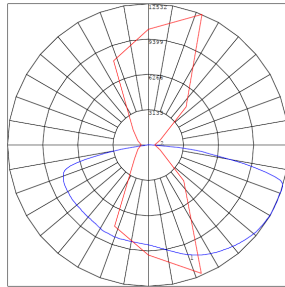
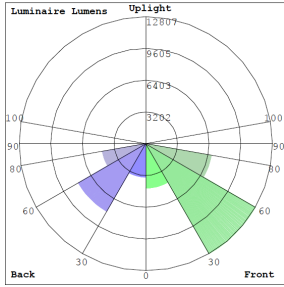
- Ideal for general site lighting, alleys, loading docks, doorway, pathway and parking areas.
- Replace existing HID flood lights/ wall packs

### Other Models:

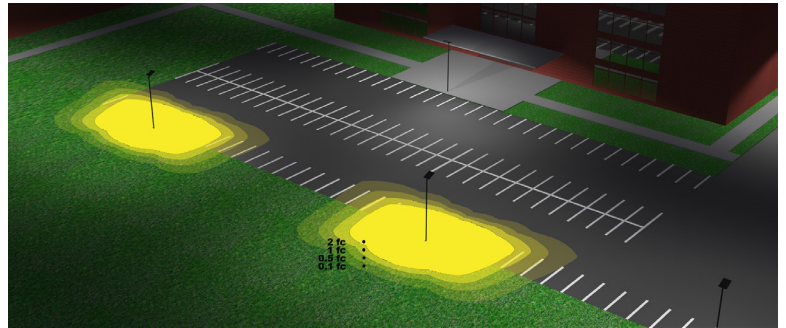
- 150W | 21400LM | LFX-LG-50-150W-50K-480V



## Photometrics: LFX-XL-150-300W-50K-480V



BUG Rating: B4-U0-G4



Area 60'x 115' Mounting Height: 20'

## Other Views:



Side View



Front View



Back View

## Performance Table: LFX-XL-150-300W-50K-480V

MODEL NO.	Wattage	Voltage	Lumens	Color Temp.	BUG Rating	LPW
LFX-XL-150-300W-30K-480V	150W	480V	23500LM	3000K 4000K 5000K	B4-U0-G4	135
			24200LM			
			25100LM			
			29600LM			
LFX-XL-150-300W-40K-480V	200W		30500LM			
			31850LM			
			35000LM			
			36000LM			
LFX-XL-150-300W-50K-480V	300W		38000LM			
			42150LM			
			43500LM			
			44000LM			

## Example:

1. LFX-XL-150-300W-50K-480V
2. LFX-XL-150-300W-50K-480V  
WEC-8RC
3. LFX-XL-150-300W-50K-480V  
WEC-8RC  
OPT-SEN-3MR-3

(For LFX 300W 5000K fixture 480V)

(For LFX 300W 5000K fixture 480V)  
(For Remote Control)

(For LFX 300W 5000K fixture 480V)  
(For Remote Control)  
(For Programmable Microwave BI-Level Motion Sensor)



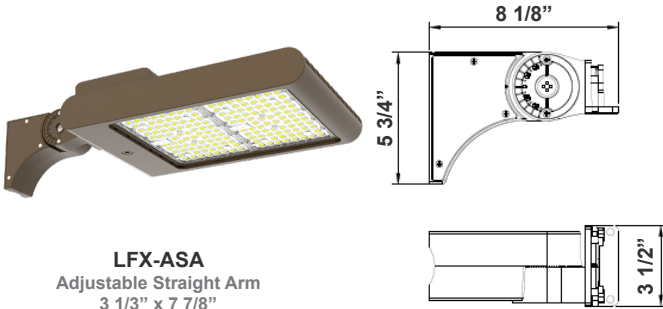
# Sample Ordering

**Model    Size    Min.Wattage    Max.Wattage    Color Temp.    Volt**

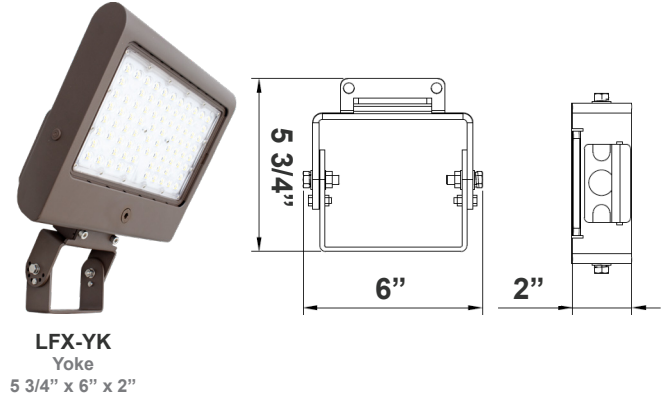
LFX - XL - 150 - 300W -  - 480V

30K = 3000K  
40K = 4000K  
50K = 5000K

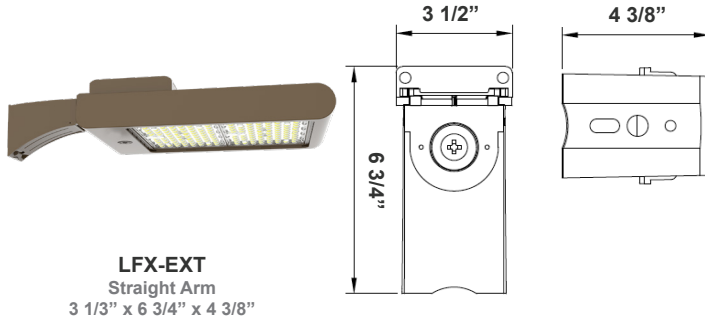
## Mounting Options:



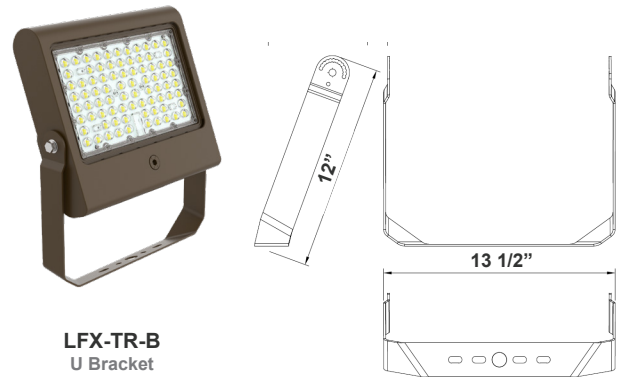
**LFX-ASA**  
Adjustable Straight Arm  
3 1/3" x 7 7/8"



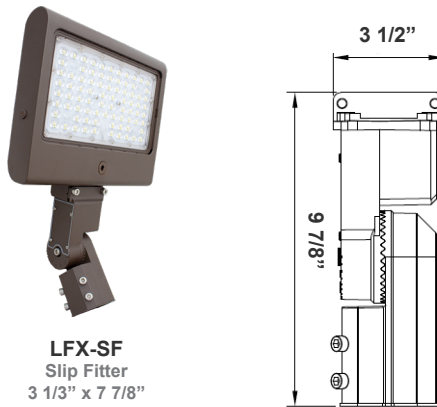
**LFX-YK**  
Yoke  
5 3/4" x 6" x 2"



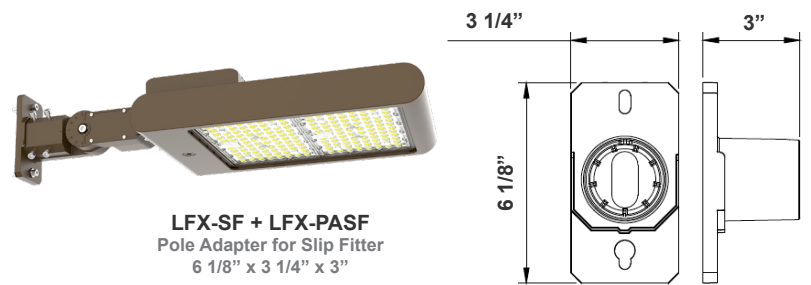
**LFX-EXT**  
Straight Arm  
3 1/3" x 6 3/4" x 4 3/8"



**LFX-TR-B**  
U Bracket  
13 1/2" x 12"



**LFX-SF**  
Slip Fitter  
3 1/3" x 7 7/8"



**LFX-SF + LFX-PASF**  
Pole Adapter for Slip Fitter  
6 1/8" x 3 1/4" x 3"



**LFX-AWB**  
Adjustable Wall Junction Box  
7 1/8" x 6 5/8" x 5 3/4"



**Color Options:** LFX-XL-150-300W-50K-480V  
 Custom Color Available

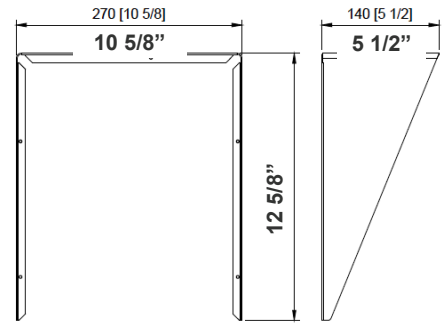
Black    Silver    White    **Dark Bronze**    Green    Red    Yellow  
Default color



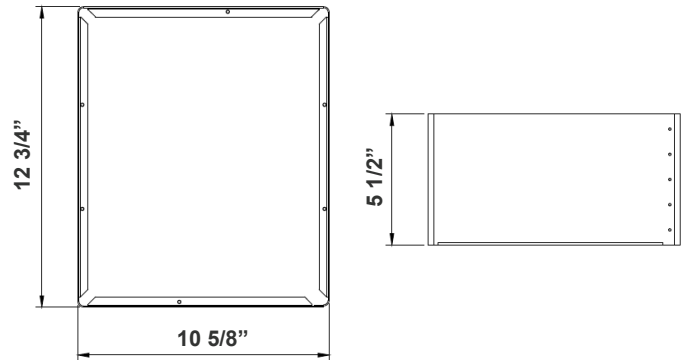
**Shroud & Wire Guard:** LFX-XL-150-300W-50K-480V



**LF-SHROUD-B**  
 Shroud  
 12 5/8" x 10 5/8" x 5 1/2"



**LF-SHROUD-E**  
 Full-Glare Shroud  
 12 3/4" x 10 5/8" x 5 1/2"



**LFX-WG-B**  
 Wire Guard

